

HUSSMANN®

IMPACT™ Merchandisers

(ED1)

Impact Service Merchandiser With Euro Styling and
Blower Coil - NSF Certified



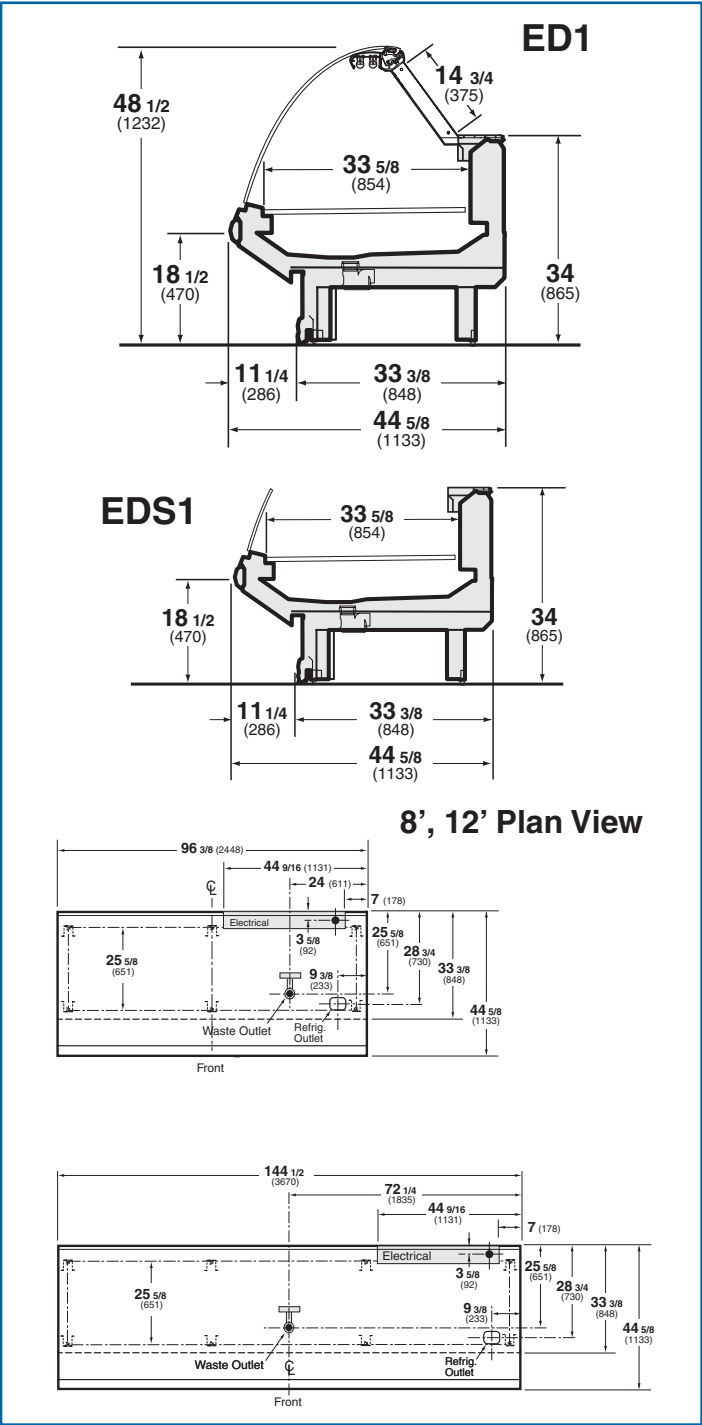
An **IR** Ingersoll Rand business
Proven source. Proven solutions.

Hussmann Impact Service Merchandiser With Euro Styling and Blower Coil - NSF Certified

ED1 - Single Pane Curved Glass Service Case With Single Deli Display Level

EDS1 - Self-Service Deli Case Model

8' and 12' lengths available



Note: Add 1 1/2" for each end panel. 3 1/2" plastic ends also available.

Note: Drawings not intended for store layouts. Please use Hussmann's Merchandiser Data Book for all store layout purposes.

European Styling

The sleek European design of the ED1 service case and companion EDS1 self-service case models will enhance single level product displays. Excellent lighting and dramatic product presentation elevates the appeal of high margin specialty items. Attractive molded end design. 30°, 45° and 90° inside and outside wedges available.

Advanced Impact Design

The ED1 and EDS1 are true "Impact" merchandisers, incorporating the best features and benefits of the Impact product line. These include advanced modular coils, superior energy efficiency and easy maintenance.

Easy to Work

Front glass tilts up for easy stocking and cleaning. Stainless steel interior and display pans are easily removed. Standard rear work surface serves as cutting board and is removable for cleaning. Rear acrylic doors and track lift out. (Short front glass of EDS1 tilts out.)

Options

Options include scale stand, pedestal base, exterior ledge light and anti-reflective glass.

NSF Certified

The ED1 has been NSF certified to ANSI/NSF standard 7.

NOTE: These merchandisers are designed for use in stores when temperature and humidity do not exceed 75°F and 55% R.H.

NOTE: (We reserve the right to change or revise specifications and product design in connection with any feature of our products. Such changes do not entitle the buyer to corresponding changes, improvements, additions, or replacements for equipment previously sold or shipped.)

Hussmann Web Site: www.hussmann.com
E-mail: hussmann-marketing@irco.com

Hussmann Corporation
12999 St. Charles Rock Rd.
Bridgeton, MO 63044-2483
(314) 291-2000
Fax: (314) 298-4756