

HUSSmann[®]

FL5NX-LEP

IMPACT EXCEL

Multi-Deck, Narrow Footprint Floral Merchandiser

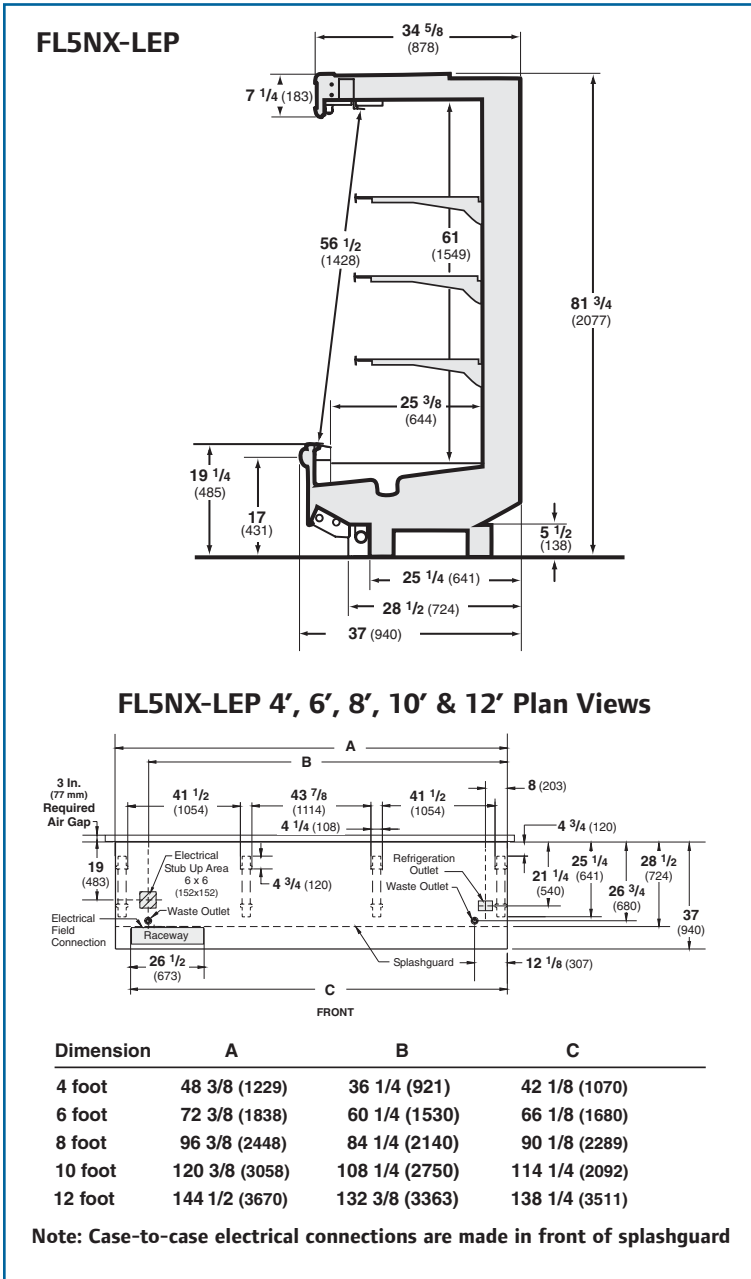


Multi-Deck, Narrow Footprint Floral Merchandiser



FL5NX-LEP Narrow Footprint, Low Front Floral Multi-Deck With Extra High Efficiency Coil

Available in 4', 6', 8', 10' & 12' lengths.



Note: Please use Husmann's technical data sheets to get precise dimensions for all store layout purposes.

Web Site: www.husmann.com
 E-mail: husmann-marketing@irco.com

Designed to Help You Sell Flowers

The FL5NX-LEP is an open, multi-deck floral display case that makes your cut flowers and arrangements easy to see and easy to reach. Black interiors, solid shelves, shelf lighting and flower pot inserts are all optionally available to give you the drama and flexibility needed in floral merchandising.

Maximum Floral Freshness

Modular coils and off-time defrost work to provide both optimal and highly stable floral temperatures, resulting in beautiful, long lasting flowers.

Lower Energy Costs

Extra high efficiency coils are standard, and integrated night curtains are optionally available to further reduce energy costs.

Lower Labor Costs

Labor saving features include greater clearance under the case, easy-to-clean bathtub bottom, adjustable feet, easier raceway access, 2' honeycomb sections and more.

Superior Reliability

All Impact Excel models are built to last. Our 5 year modular coil warranty is the best available, and you can expect many years of excellent refrigeration performance. Pre-set expansion valves are designed to hold optimal temperatures throughout the life of the case.



Husmann Corporation
 12999 St. Charles Rock Rd.
 Bridgeton, MO 63044-2483
 (314) 291-2000
 (314) 298-4756 Fax