

We reserve the right to change or revise specifications and product design in connection with any feature of our products. Such changes do not entitle the buyer to corresponding changes, improvements, additions or replacements for equipment previously sold or shipped.

IMPORTANT
ONE FLOOR DRAIN IS REQUIRED FOR EACH CASE.

Item	Part #	Description	Wiring Item #	Item	Part #	Description	Wiring Item #
FAN ASSEMBLIES				LAMPS AND BALLASTS			
				C.	Ballast, Electronic		(3)
4 Ft, 8 Ft & 12 Ft			(1)	0480130	2 lamps (BA.4481676)		
A.	7W Standard Energy Efficient Fan Assembly			0480131	3 lamps (BA.4481654)		
	0477654	Fan Motor, Evaporator (MO.4410545)		0480132	4 lamps (BA.4481677)		
	0142780	Fan Blade (FB.0142780)		D.	Fluorescent Lamp		(4)
					<i>Replace with like fixtures</i>		
6 Ft Only				LED FIXTURES AND POWER SUPPLY			
A.	4W Standard Energy Efficient Fan Assembly		(1)	E.	0501213	Power Supply (EP.4481861)	(5)
	0477653	Fan Motor, Evaporator (MO.4410544)		F.		LED Shelf Fixture	(6)
	0382383	Fan Blade (FB.4780617)				<i>Replace with like fixtures</i>	
THERMOSTATS				G.		LED Canopy Fixture	(7)
						<i>Replace with like fixtures</i>	
B.	Optional Adjustable Refrigeration Thermostat		(2)	H.		LED Mullion Fixture	(8)
						<i>Replace with like fixtures</i>	

NOTE: For LED lighting parts contact your Hussmann service representative at 1-800-922-1919. Please have your model and serial number available. Descriptions including size and color are at WWW.HUSSMANN.COM/SERVICEANDPARTS.

Note: Revision B makes energy efficient fans standard, changes to optional SCRI LED lighting, and adds DOE 2012 compliance. Other changes marked by bar, underline or circle.



Engineering Plan Views

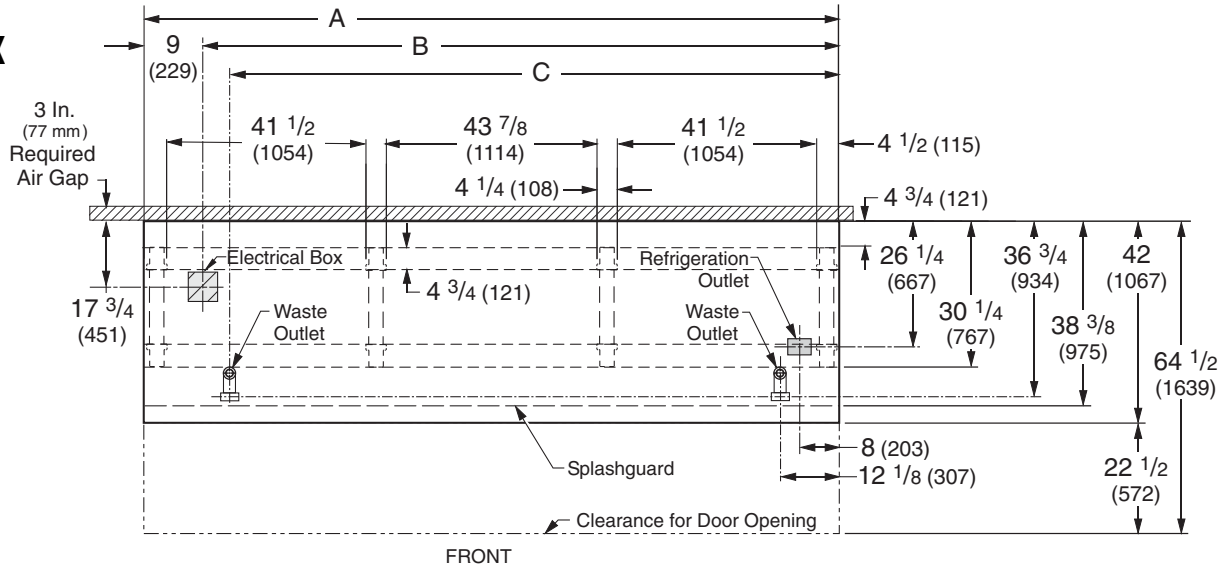
PHYSICAL DATA	
Merchandiser Drip Pipe (in.)	1 1/4
Merchandiser Liquid Line (in.)	3/8
Merchandiser Suction Line (in.)	7/8

Ultra Low Front Dairy & Delicatessen

Dimensions shown as in. and (mm).

07-2009

DD6X



Note: ALL FIELD WIRING CONNECTION POINTS ARE ABOVE THE CASE.
Case to case connections are made in the electrical box at the top of the case.

	4 ft	6 ft	8 ft	12 ft
General				
(A) Case Length (<i>without ends or partitions</i>) (Each end and insulated partition adds 1 1/2 in. (38 mm) to case line up.)	48 3/8 (1229)	72 3/8 (1838)	96 3/8 (2448)	144 1/2 (3670)
Maximum O/S dimension of case back to front (includes bumper)	42 (1064)	42 (1064)	42 (1064)	42 (1064)
Back of case to front of splashguard	38 3/8 (975)	38 3/8 (975)	38 3/8 (975)	38 3/8 (975)
Back of case to O/S edge of front rails	30 1/4 (767)	30 1/4 (767)	30 1/4 (767)	30 1/4 (767)
Distance between edges of external rails and center rails	NA	29 1/2 (750)	41 1/2 (1054)	41 1/2 (1054)
Distance between edges of center rails	NA	NA	NA	43 7/8 (1114)
Distance between front rails and splashguard	8 (203)	8 (203)	8 (203)	8 (203)
Electrical Service (<i>Electrical Field Wiring connection point located on top of case</i>)				
(B) RH End of case to center of 4 x 4 x 2 Electrical Box	39 3/8 (1000)	63 3/8 (1610)	87 3/8 (2219)	135 1/2 (3442)
Back of case to center of 4 x 4 x 2 Electrical Box	17 3/4 (451)	17 3/4 (451)	17 3/4 (451)	17 3/4 (451)
Waste Outlets (<i>One each end</i>)				
(C) RH End of case to the center of LH waste outlet	36 1/4 (921)	60 1/4 (1530)	84 1/4 (2141)	132 3/8 (3363)
RH End of case to the center of RH waste outlet	12 1/8 (307)	12 1/8 (307)	12 1/8 (307)	12 1/8 (307)
Back O/S of case to center of waste outlets	36 3/4 (933)	36 3/4 (933)	36 3/4 (933)	36 3/4 (933)
Schedule 40 PVC drip pipe	1 1/4 (32)	1 1/4 (32)	1 1/4 (32)	1 1/4 (32)
Refrigeration Outlet				
Back of case to center of refrigeration outlet	26 1/4 (665)	26 1/4 (665)	26 1/4 (665)	26 1/4 (665)
RH end of case to center of refrigeration outlet	8 (203)	8 (203)	8 (203)	8 (203)

Multi-deck with Doors, 6 Display Levels, Ultra Low Front



Hussmann refrigerated merchandisers configured for sale for use in the United States meet or surpass the requirements of the DOE 2012 energy efficiency standards.



REFRIGERATION DATA

Note: This data is based on store temperature and humidity that does not exceed 75°F and 55% R.H.

DD6X-ULP*	UNLIT	LIT
Discharge Air °F	36	38
Evaporator °F	34	32
Unit Sizing °F	32	30

*Btu/hr/ft — Unlit Shelves * ‡*

DD6X-ULP	Parallel	Conventional
4 ft/8 ft/12 ft	417	427
6 ft	424	434

*Hussmann Peg Shelves are not recommended.

‡ Add 10 Btu/hr/ft per shelf row for LED fixtures.
Add 20 Btu/hr/ft per shelf row for fluorescent lamps.

DEFROST DATA

Frequency Hr	24
Defrost Water (lb/ft/day)	1.5

(± 15% based on case configuration and product loading).

OFFTIME	DD6X-ULP
Time (minutes)	25

ELECTRIC OR GAS Not Recommended

CONVENTIONAL CONTROLS

Low Pressure Backup Control	DD6X-ULP
CI/CO**	25°F / 15°F

Indoor Unit Only, Pressure Defrost

Termination**	48°F
---------------	------

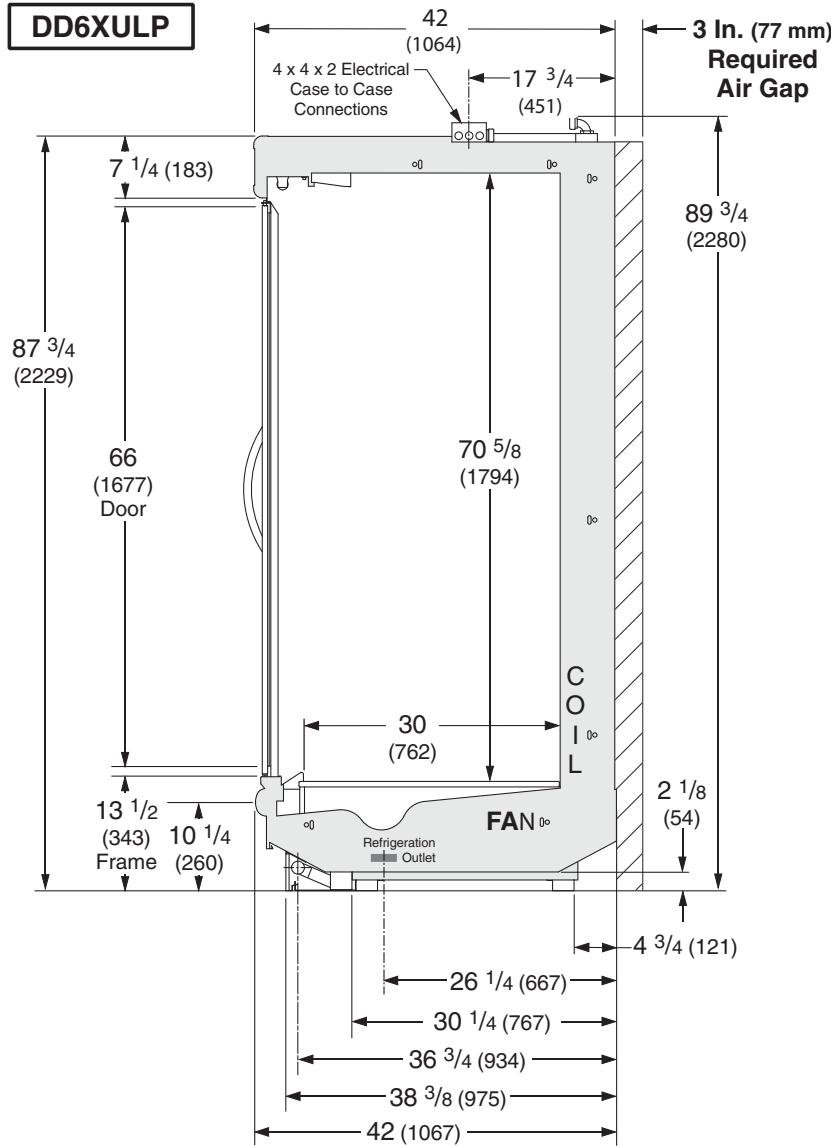
**Use a Temperature Pressure Chart to determine PSIG conversions.

PHYSICAL DATA

Estimated Charge ***	DD6X-ULP		
4 ft	1.9 lb	30 oz	0.9 kg
6 ft	2.8 lb	45 oz	1.3 kg
8 ft	3.7 lb	59 oz	1.7 kg
12 ft	5.1 lb	82 oz	2.3 kg

***This is an average for all refrigerant types. Actual refrigerant charge may vary by approximately half a pound (8 oz/0.2 kg).

Dimensions shown as in. and (mm).



ALL FIELD WIRING CONNECTION POINTS ARE ABOVE THE CASE.

NSF Certification

This merchandiser model is manufactured to meet NSF/ANSI (National Sanitation Foundation) Standard #7 requirements for construction, materials & cleanability.

Excel DD6X-ULP

Dairy & Delicatessen

Electrical Data

	4 ft	6 ft	8 ft	12 ft				
Number of Fans — 7W	2	—	4	6				
Number of Fans — 4W	—	4	—	—				
					Watts			
					4 ft	6 ft	8 ft	12 ft
Evaporator Fan								
120V 50/60Hz Standard Energy Efficient	0.38	0.48	0.76	1.14	28	32	56	84
230V 50/60Hz Standard Energy Efficient	0.20	0.24	0.40	0.60	28	32	56	84
230V 60Hz Export	0.50	0.60	1.00	1.50	78	96	156	234
230V 50Hz Export	0.56	0.72	1.12	1.68	84	108	168	252
Minimum Circuit Ampacity								
120V 50/60Hz Standard Energy Efficient	0.58	0.68	0.96	1.34				
230V 50/60Hz Standard Energy Efficient	0.40	0.44	0.60	0.80				
230V 60Hz Export	0.70	0.80	1.20	1.70				
230V 50Hz Export	0.76	0.92	1.32	1.88				
Maximum Over Current Protection 120V					20	20	20	20
Maximum Over Current Protection 230V					15	15	15	15

Standard Lighting (T-8 fluorescent)

1 Row Canopy	0.26	0.51	0.51	0.77	30	59	59	85
--------------	------	------	------	------	----	----	----	----

ONLY LIGHTING CONFIGURATIONS THAT ARE COMPLIANT WITH THE U.S. DEPT. OF ENERGY (DOE) 2012 REGULATION ARE AVAILABLE FOR SALE FOR USE IN THE U.S.A.

Optional Lighting (T-8 fluorescent)

2 Row Canopy	0.51	1.02	1.02	1.54	59	118	118	170
3 Row Canopy	0.77	1.53	1.53	2.31	89	177	177	255
1 Row of Shelves	0.26	0.51	0.51	0.77	30	59	59	85
4 Rows of Shelves	1.02	2.04	2.04	3.08	118	236	236	340
5 Rows of Shelves	1.28	2.55	2.55	3.85	148	295	295	425
6 Rows of Shelves	1.53	3.06	3.06	4.62	177	354	354	510

Optional LED Lighting — EcoShine SCRI* — 120VAC, 50/60Hz

2 Row Canopy	0.28	0.41	0.55	0.82	33	49	66	98
Mullion LEDs	0.35	0.65	0.65	0.94	42	78	78	113
Eco Mullion LEDs	0.17	0.30	0.30	0.44	20	37	37	53
Mullion LEDs + 1 row canopy	0.51	0.88	0.96	1.42	61	106	116	170
Eco Mullion LEDs + 1 row canopy	0.33	0.54	0.62	0.92	39	65	75	110
Mullion LEDs + 2 row canopy	0.63	1.06	1.20	1.78	75	128	144	213
Eco Mullion LEDs + 2 row canopy	0.45	0.72	0.86	1.27	54	87	103	153
1 Row of Shelves	0.10	0.15	0.20	0.29	12	18	24	35
4 Rows of Shelves	0.39	0.58	0.78	1.17	47	70	93	140
5 Rows of Shelves	0.48	0.73	0.97	1.45	58	87	116	174
6 Rows of shelves	0.58	0.88	1.17	1.74	70	105	140	209

120V Lighting Circuit Total = Standard Lighting + Total Optional Lighting + Optional Shelf Lighting

230V Lighting Circuit Total = Multiply 120V Lighting Circuit Total by 0.52

*If using HCRI LED lighting, multiply values by 1.2.

Product Data

<i>Recommended Usable Cube</i> ¹ (Cu Ft/Ft)	10.96 ft ³ /ft (1.02 m ³ /m)
<i>AHRI Total Display Area</i> ² (Sq Ft/Ft)	5.50 ft ² /ft (1.68 m ² /m)
<i>Shelf Area</i> ³ (Sq Ft/Ft)	9.87 ft ² /ft (3.01 m ² /m)

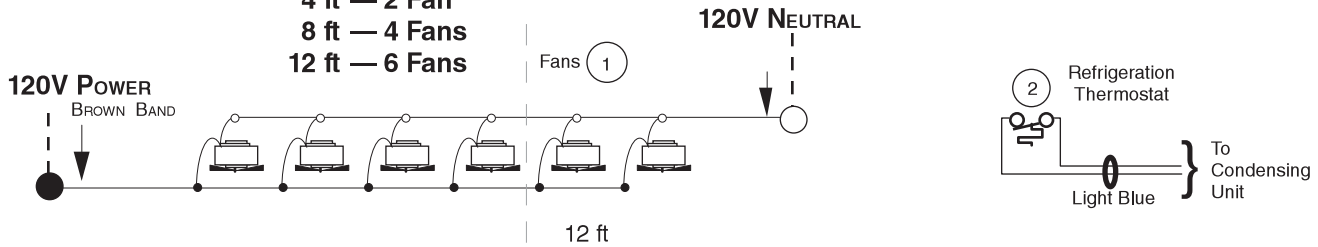
¹ AHRI Refrigerated Volume less shelving and other unusable space: Refrigerated Volume/Unit of Length, ft³/ft [m³/m]
² Computed using AHRI 1200 standard methodology: Total Display Area, ft² [m²]/Unit of Length, ft [m]
³ Shelf surface area is composed of bottom deck plus standard shelf complement, as shown in the Husmann *Product Reference Guide*. The standard shelf complement for this model is (5) rows of 22-inch shelves.

ESTIMATED SHIPPING WEIGHT ⁴					
Case	<i>4 ft</i>	<i>6 ft</i>	<i>8 ft</i>	<i>12 ft</i>	Solid End
					<i>(each)</i>
lb (kg)	880 (399)	1100 (499)	1360 (617)	1840 (835)	100 (45)
⁴ Actual weights will vary according to optional kits included.					

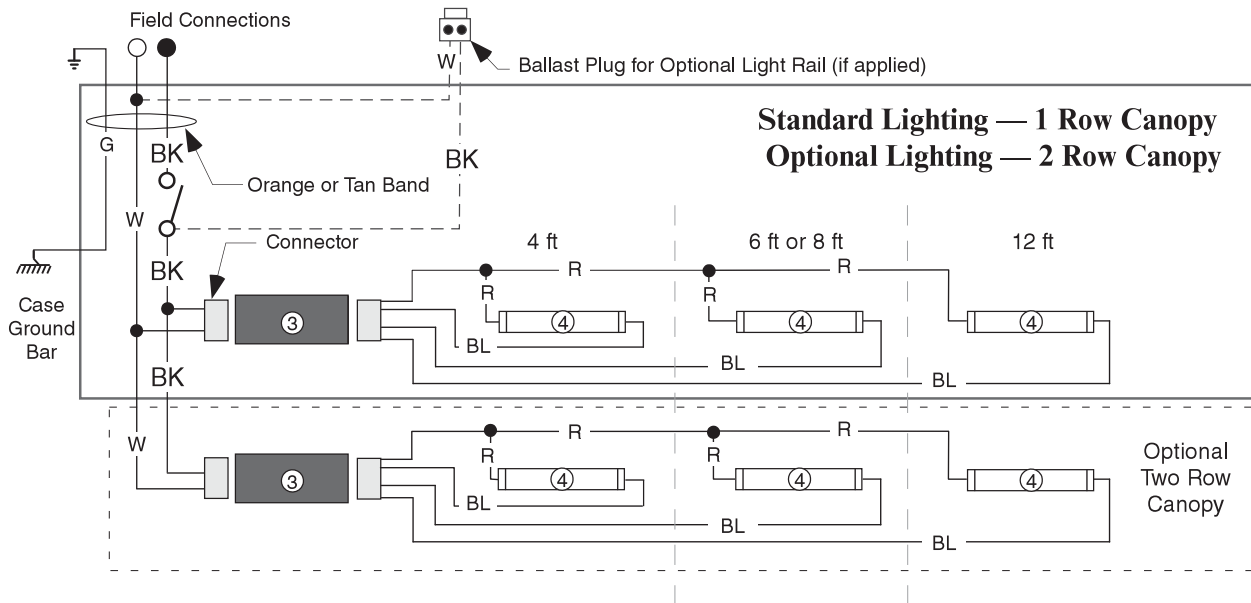
Fan Wiring Offtime Defrost

2, 4 & 6 Fans

4 ft — 2 Fan
8 ft — 4 Fans
12 ft — 6 Fans



Fluorescent Canopy Light Circuits



WARNING

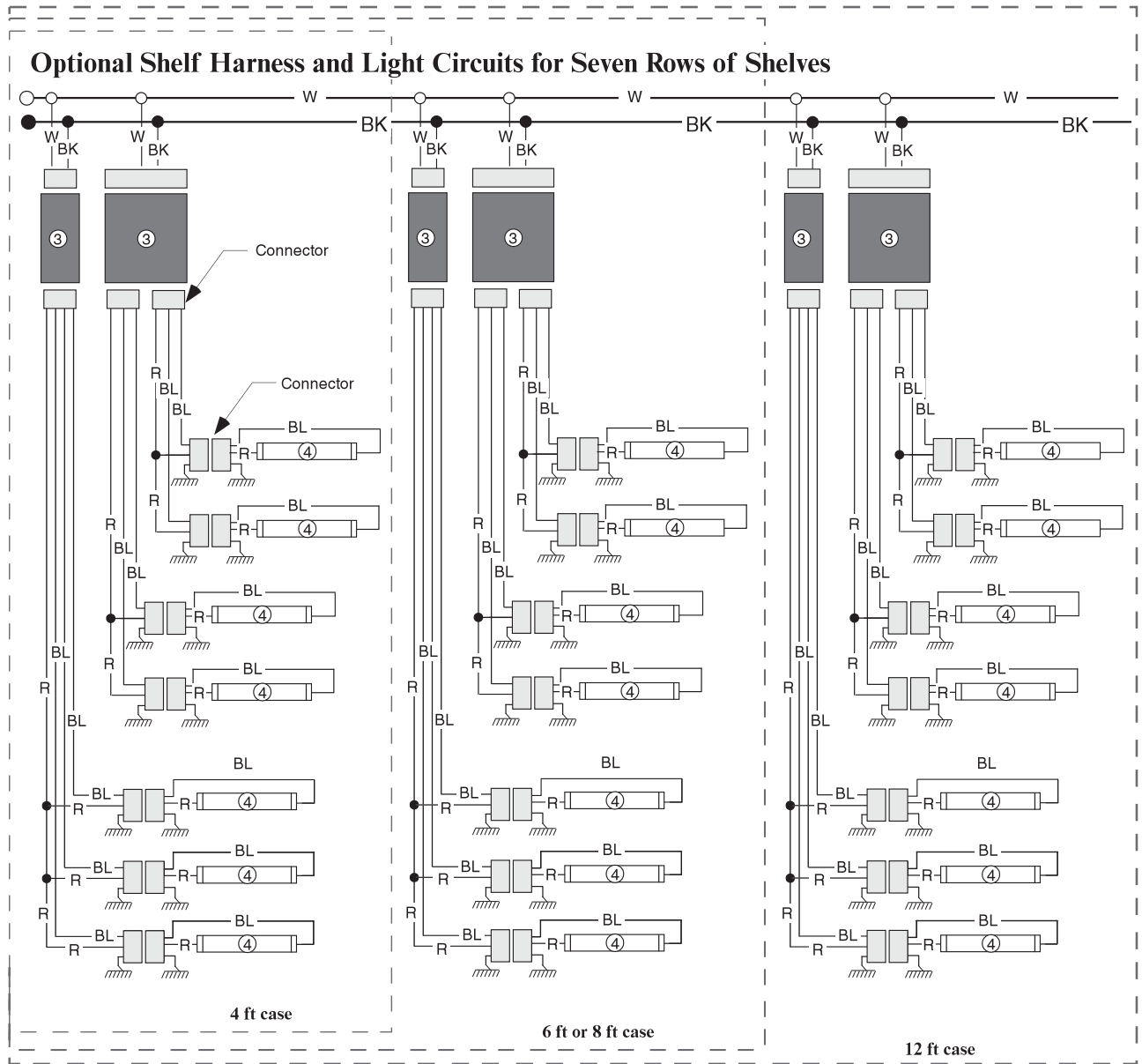
All components must have mechanical ground, and the merchandiser must be grounded.

CIRCLED NUMBERS = PARTS LIST ITEM NUMBERS

R = Red Y = Yellow G = Green BL = Blue BK = Black W = White

● = 120V POWER ○ = 120V NEUTRAL ⊥ = FIELD GROUND ⏏ = CASE GROUND

Optional Shelf Lighting Fluorescent Fixtures



WARNING

All components must have mechanical ground, and the merchandiser must be grounded.

CIRCLED NUMBERS = PARTS LIST ITEM NUMBERS

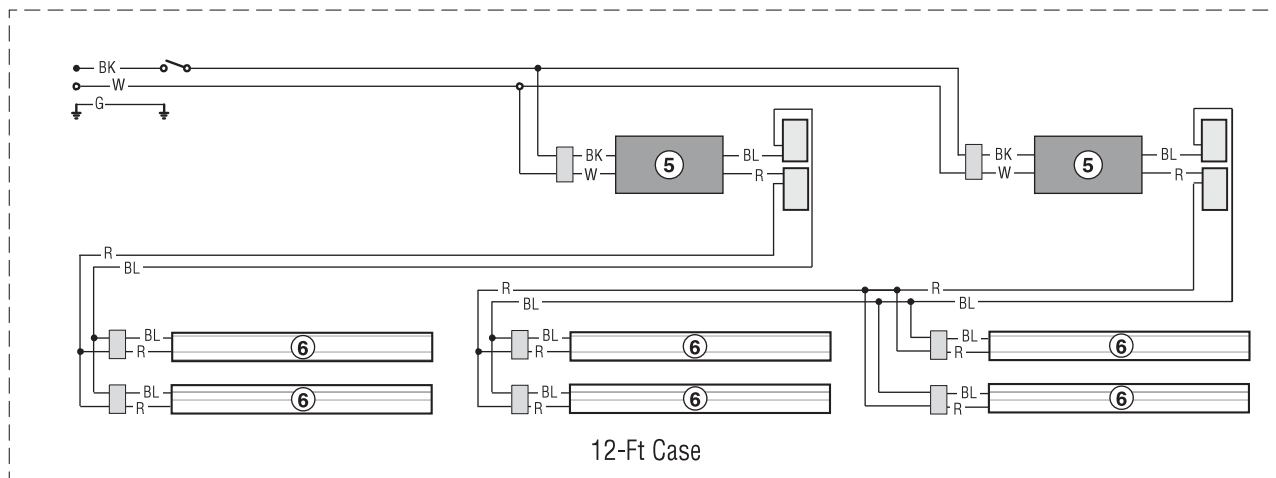
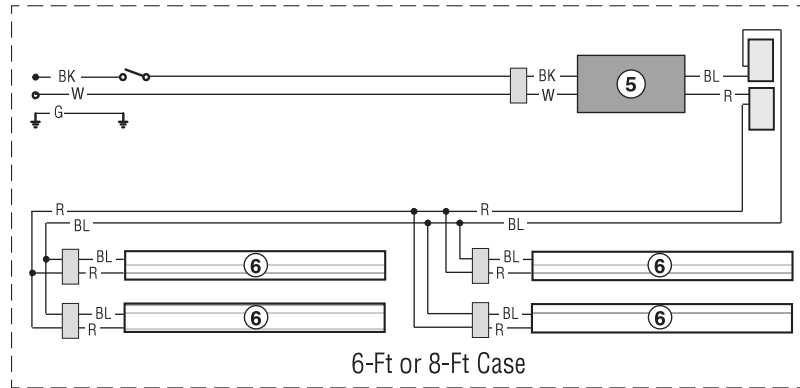
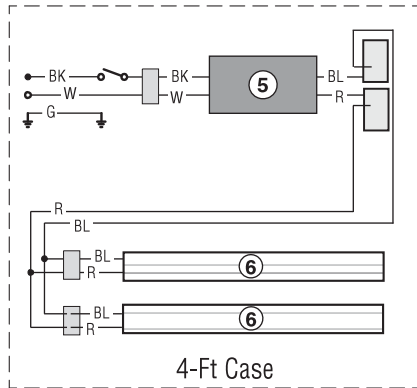
Grayed components in 12 foot models only.

R = Red Y = Yellow G = Green BL = Blue BK = Black W = White

● = 120V POWER ○ = 120V NEUTRAL ⊥ = FIELD GROUND ≡ = CASE GROUND

Optional Canopy Lighting LED Fixtures

Standard LED Canopy Lighting — 2 Row Canopy



WARNING

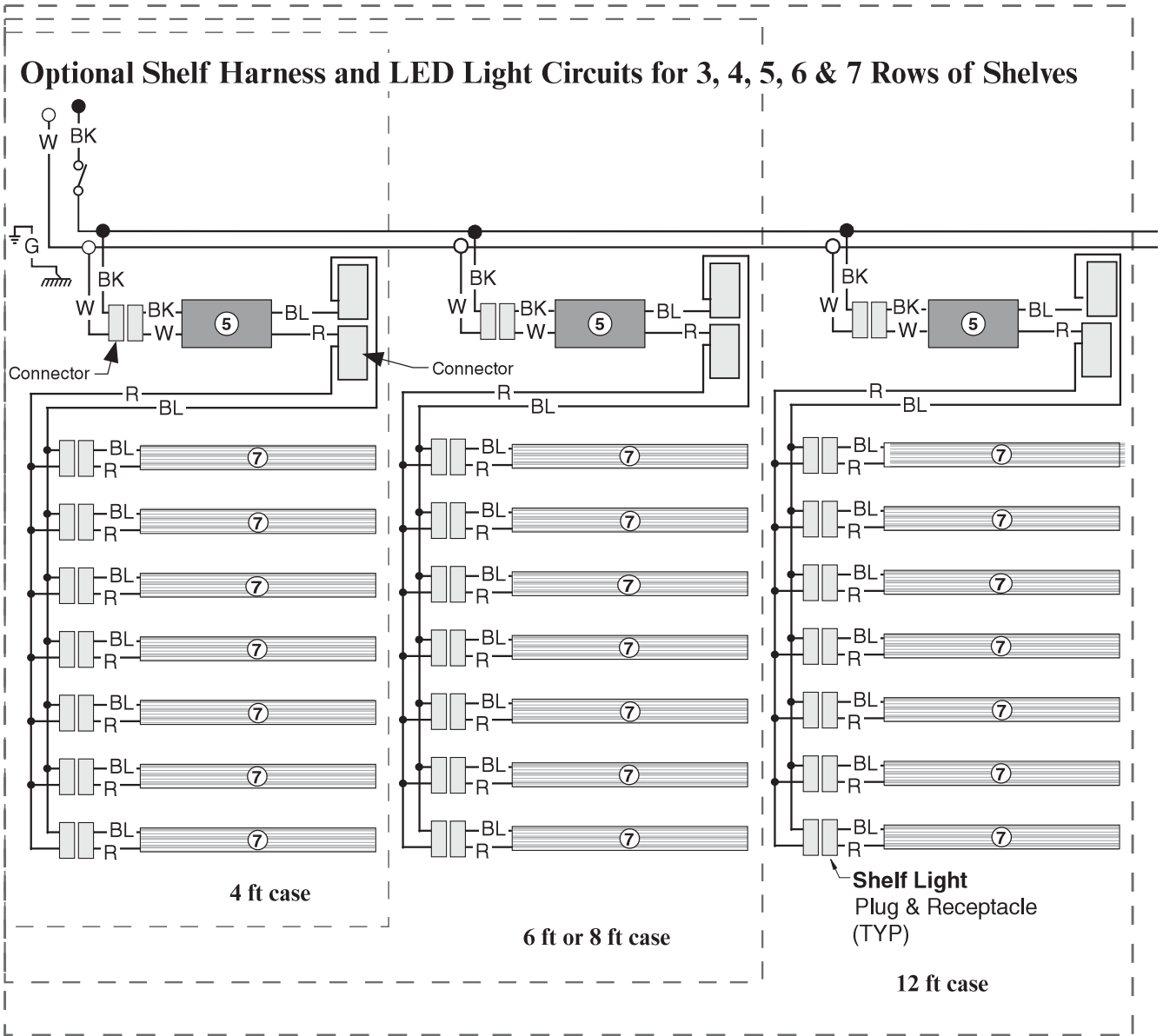
All components must have mechanical ground, and the merchandiser must be grounded.

CIRCLED NUMBERS = PARTS LIST ITEM NUMBERS

R = Red Y = Yellow G = Green BL = Blue BK = Black W = White

● = 120V POWER ○ = 120V NEUTRAL ⊥ = FIELD GROUND \overline{m} = CASE GROUND

Optional Shelf Lighting LED Fixtures



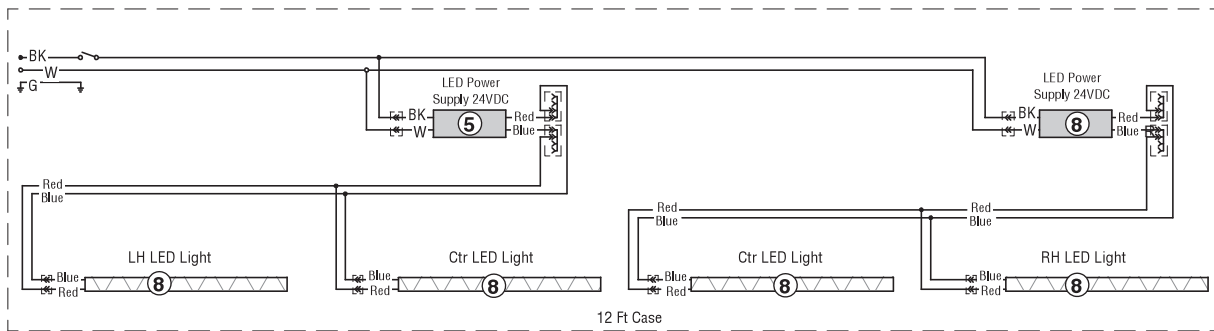
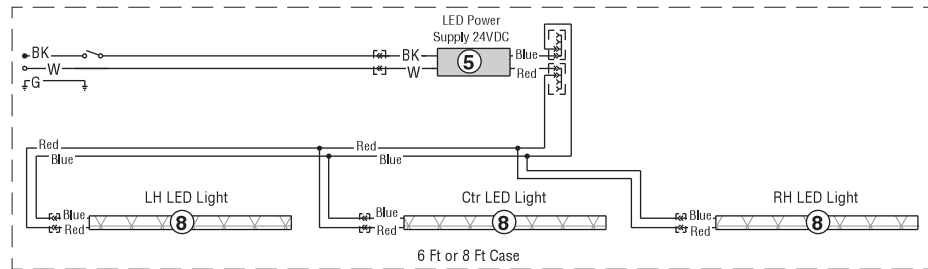
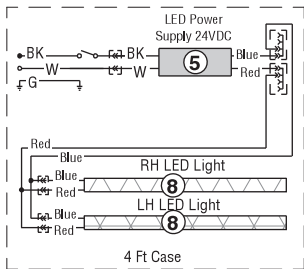
WARNING

All components must have mechanical ground, and the merchandiser must be grounded.

CIRCLED NUMBERS = PARTS LIST ITEM NUMBERS

R = Red	G = Green	BL = Blue	BK = Black	W = White
● = 120V POWER	○ = 120V NEUTRAL	⏚ = FIELD GROUND	⏏ = CASE GROUND	

Optional Mullion Lighting LED Fixtures



WARNING

All components must have mechanical ground, and the merchandiser must be grounded.

CIRCLED NUMBERS = PARTS LIST ITEM NUMBERS

R = Red Y = Yellow G = Green BL = Blue BK = Black W = White

● = 120V POWER ○ = 120V NEUTRAL ⊥ = FIELD GROUND ≡ = CASE GROUND