

We reserve the right to change or revise specifications and product design in connection with any feature of our products. Such changes do not entitle the buyer to corresponding changes, improvements, additions or replacements for equipment previously sold or shipped.

Item	Part #	Description	Wiring Item #	Item	Part #	Description	Wiring Item #
FAN ASSEMBLIES				LED FIXTURES AND POWER SUPPLY			
8 Ft & 12 Ft				E.	0501213	Power Supply (EP.4481861)	(5)
A.	12W Standard Energy Efficient Fan Assembly	(1)		F.		LED Canopy Fixture	(6)
	0477655	Fan Motor, Evaporator (MO.4410546)				<i>Replace with like fixtures</i>	
	0463643	Fan Blade (FB.4780648)		G.		LED Shelf Fixture	(7)
						<i>Replace with like fixtures</i>	
THERMOSTATS				H.		LED Mullion Fixture	(8)
B.	Optional Adjustable Refrigeration Thermostat	(2)				<i>Replace with like fixtures</i>	
LAMPS AND BALLASTS				NOTE: For LED lighting parts contact your Hussmann service representative at 1-800-922-1919. Please have your model and serial number available. Descriptions including size and color are at WWW.HUSSMANN.COM/SERVICEANDPARTS.			
C.	Ballast, Electronic	(3)					
	0480130	2 lamps (BA.4481676)					
	0480131	3 lamps (BA.4481654)					
	0480132	4 lamps (BA.4481677)					
D.	Fluorescent Lamp	(4)					
		<i>Replace with like fixtures</i>					

Note: Revision B makes energy efficient fans standard, changes to optional SCRI LED lighting, and adds DOE 2012 compliance. Other changes marked by bar, underline or circle.



Engineering Plan Views

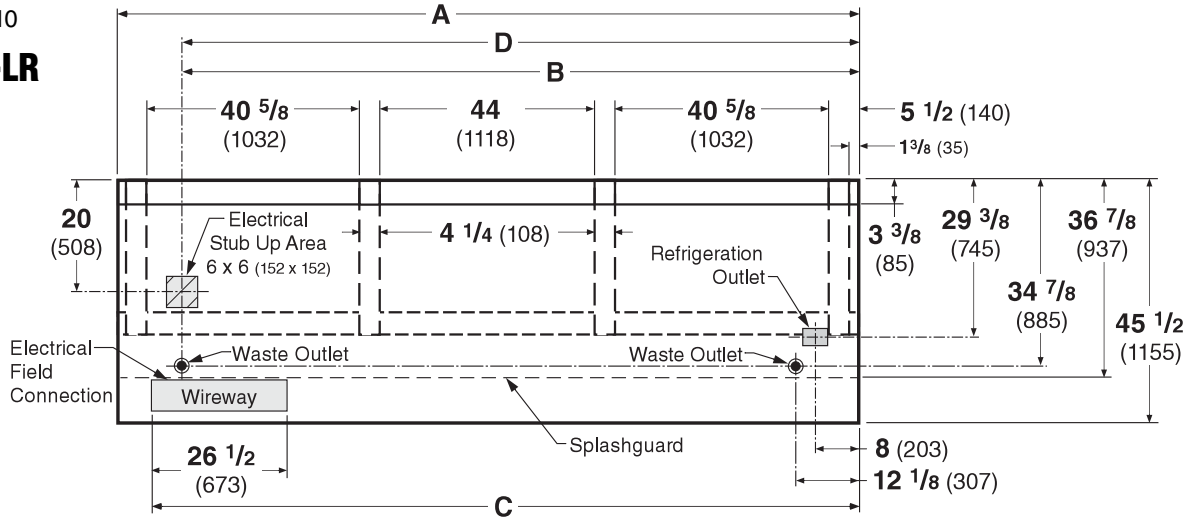
PHYSICAL DATA	
Merchandiser Drip Pipe (in.)	1 1/4
Merchandiser Liquid Line (in.)	3/8
Merchandiser Suction Line (in.)	7/8

Rear Load Dairy & Delicatessen

08-2010

DD5X-LR

Dimensions shown as in. and (mm).



NOTE: Case-to-Case Electrical Connections are made IN FRONT OF SPLASHGUARD.

FRONT

12 ft plan view is shown.

General

(A) Case Length (without ends or partitions)

(Each end and insulated partition adds 1 1/2 in. (38 mm) to case line up.)

Maximum O/S dimension of case

(back to front, including bumper)

Back of case to front of splashguard

Back of case to O/S edge of front skid rail

Width of skid rail

RH end of case to outside edge of external support

Distance between edges of external support and center support

Distance between edges of center supports

Distance between front skid rail and splashguard

Electrical Service (Electrical Field Wiring connection point)

(B) RH End of case to center of stub up area

Back of case to center of stub up area

Length of electrical wireway 

(C) RH End of case to LH end of wireway

Waste Outlets (One each end)

(D) End of case to the center of farthest waste outlet

End of case to the center of nearest waste outlet

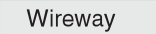
Back O/S of case to center of waste outlets

Outside diameter of the drip pipe

Refrigeration Outlet

Back of case to center of refrigeration outlet

RH end of case to center of refrigeration outlet

	8 ft	12 ft
(A) Case Length (without ends or partitions)	96 3/8 (2448)	144 1/2 (3670)
Maximum O/S dimension of case (back to front, including bumper)	45 1/2 (1155)	45 1/2 (1155)
Back of case to front of splashguard	36 7/8 (937)	36 7/8 (937)
Back of case to O/S edge of front skid rail	29 1/2 (749)	29 1/2 (749)
Width of skid rail	2 3/8 (61)	2 3/8 (61)
RH end of case to outside edge of external support	5 1/2 (140)	5 1/2 (140)
Distance between edges of external support and center support	40 5/8 (1032)	40 5/8 (1032)
Distance between edges of center supports	NA	44 (1118)
Distance between front skid rail and splashguard	6 (152)	6 (152)
(B) RH End of case to center of stub up area	84 1/4 (2140)	132 3/8 (3363)
Back of case to center of stub up area	20 (508)	20 (508)
Length of electrical wireway 	26 1/2 (673)	26 1/2 (673)
(C) RH End of case to LH end of wireway	90 1/8 (2289)	138 1/4 (3511)
(D) End of case to the center of farthest waste outlet	84 1/4 (2140)	132 3/8 (3363)
End of case to the center of nearest waste outlet	12 1/8 (307)	12 1/8 (307)
Back O/S of case to center of waste outlets	34 7/8 (885)	34 7/8 (885)
Outside diameter of the drip pipe	1 1/4 (32)	1 1/4 (32)
Back of case to center of refrigeration outlet	29 3/8 (745)	29 3/8 (745)
RH end of case to center of refrigeration outlet	8 (203)	8 (203)

Multi-deck, 5 Display Levels with Sliding Rear Door, Low Front

DOE 2012 Energy Efficiency Compliant Hussmann refrigerated merchandisers configured for sale for use in the United States meet or surpass the requirements of the DOE 2012 energy efficiency standards.

Excel DD5X-LR
Dairy & Delicatessen

REFRIGERATION DATA

Note: This data is based on store temperature and humidity that does not exceed 75°F and 55% R.H.

DD5X-LR	UNLIT	LIT	PEG*
Discharge Air °F	39	37	37
Evaporator °F	34	32	32
Unit Sizing °F	32	30	30

Btu/hr/ft — Unlit Shelves†

DD5X-LR	Parallel	Conventional
UNLIT	383	393
PEG*	413	423

* Hussmann Peg Shelves (Deli only).

† Add 10 Btu/hr/ft per shelf row for LED fixtures.
Add 20 Btu/hr/ft per shelf row for fluorescent lamps.

DEFROST DATA

Frequency Hr	24
Defrost Water (lb/ft/day)	1.0

(± 15% based on case configuration and product loading).

OFFTIME	DD5X-LR
Time (Minutes)	25

ELECTRIC OR GAS Not Recommended

CONVENTIONAL CONTROLS

Low Pressure Backup Control

C/CO**	DD5X-LR
	25°F / 15°F

Indoor Unit Only,

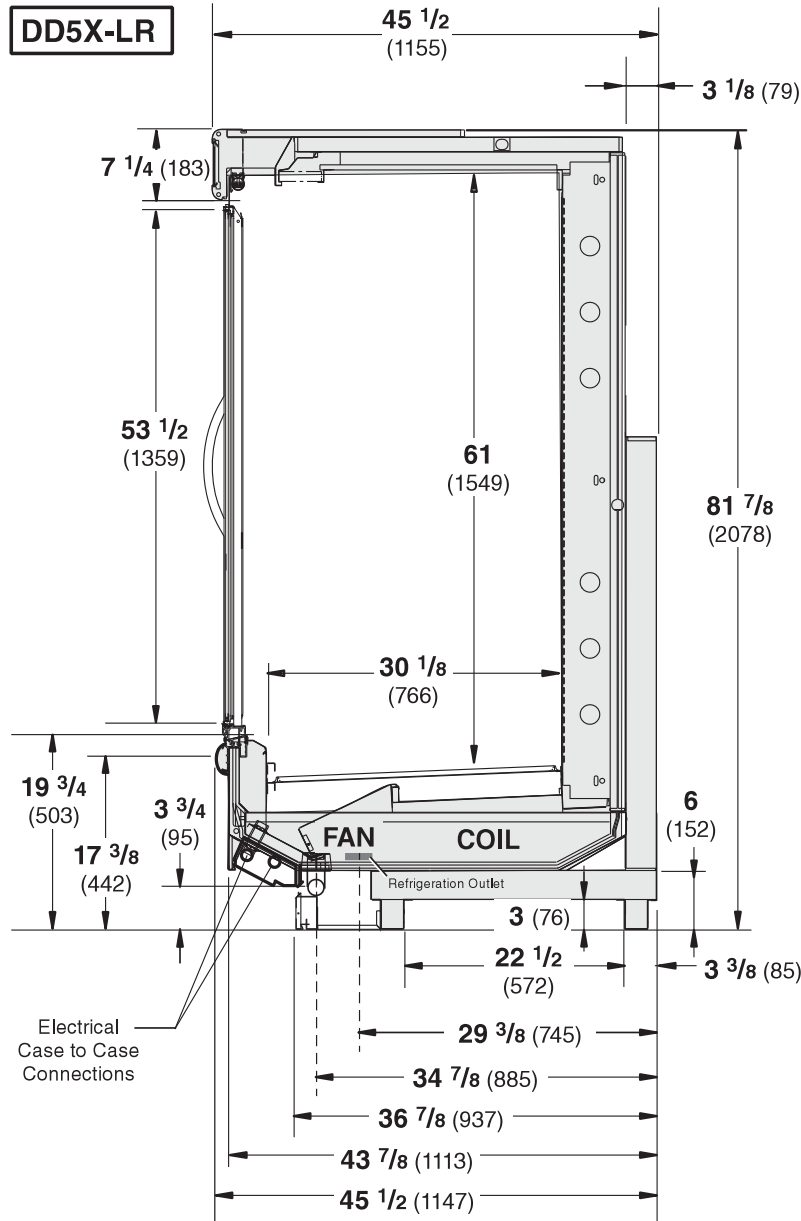
Pressure Defrost Termination** 48°F

**Use a Temperature Pressure Chart to determine PSIG conversions.

Estimated Charge ***	DD5X-LR	
8 ft	2.7 lb	43 oz 1.2 kg
12 ft	3.9 lb	62 oz 1.8 kg

***This is an average for all refrigerant types. Actual refrigerant charge may vary by approximately half a pound (8 oz/0.2 kg).

Dimensions shown as in. and (mm).



NSF Certification

This merchandiser model is manufactured to meet NSF/ANSI (National Sanitation Foundation) Standard #7 requirements for construction, materials & cleanability.

Excel DD5X-LR Dairy & Delicatessen

Electrical Data

	8 ft	12 ft		
Number of Fans – 12W	2	3		
Number of Fans – 7W	—	—		
	Amperes		Watts	
	8 ft	12 ft	8 ft	12 ft
Evaporator Fans				
120V 50/60Hz Standard Energy Efficient	0.60	0.90	36	54
230V 50/60Hz Standard Energy Efficient	0.30	0.45	36	54
230V 60Hz Export	0.66	0.99	100	150
230V 50Hz Export	0.76	1.14	114	171
Minimum Circuit Ampacity				
120V 50/60Hz Standard Energy Efficient	0.80	1.10		
230V 50/60Hz Standard Energy Efficient	0.50	0.65		
230V 60Hz Export	0.86	1.19		
230V 50Hz Export	0.96	1.34		
Maximum Over Current Protection 120V	20	20		
Maximum Over Current Protection 230V	15	15		

Standard Lighting (T-8 fluorescent)

1 Row Canopy	0.51	0.77	59	85
--------------	------	------	----	----

ONLY LIGHTING CONFIGURATIONS THAT ARE COMPLIANT WITH THE U.S. DEPT. OF ENERGY (DOE) 2012 REGULATION ARE AVAILABLE FOR SALE FOR USE IN THE U.S.A.

Optional Lighting (T-8 fluorescent)

2 Row Canopy	1.02	1.54	118	170
3 Row Canopy	1.53	2.31	177	255
1 Row of Shelves	0.51	0.77	59	85
4 Rows of Shelves	2.04	3.08	236	340
5 Rows of Shelves	2.55	3.85	295	425
6 Rows of Shelves	3.06	4.62	354	510

Optional LED Lighting — EcoShine SCRI* — 120VAC, 50/60Hz

2 Row Canopy	0.55	0.82	66	98
Mullion LEDs	0.65	0.94	78	113
Eco Mullion LEDs	0.30	0.44	37	53
Mullion LEDs + 1 row canopy	0.96	1.42	116	170
Eco Mullion LEDs + 1 row canopy	0.62	0.92	75	110
Mullion LEDs + 2 row canopy	1.20	1.78	144	213
Eco Mullion LEDs + 2 row canopy	0.86	1.27	103	153
1 Row of Shelves	0.20	0.29	24	35
4 Rows of Shelves	0.78	1.17	93	140
5 Rows of Shelves	0.97	1.45	116	174
6 Rows of shelves	1.17	1.74	140	209

120V Lighting Circuit Total = Standard Lighting + Total Optional Lighting + Optional Shelf Lighting

230V Lighting Circuit Total = Multiply 120V Lighting Circuit Total by 0.52

*If using HCRI LED lighting, multiply values by 1.2.

Product Data

<i>Recommended Usable Cube</i> ¹ (Cu Ft/Ft)	9.39 ft ³ /ft (0.87 m ³ /m)
<i>AHRI Total Display Area</i> ² (Sq Ft/Ft)	4.46 ft ² /ft (1.36 m ² /m)
<i>Shelf Area</i> ³ (Sq Ft/Ft)	9.85 ft ² /ft (3.00 m ² /m)

- ¹ AHRI Refrigerated Volume less shelving and other unusable space: Refrigerated Volume/Unit of Length, ft³/ft [m³/m]
² Computed using AHRI 1200 standard methodology: Total Display Area, ft² [m²]/Unit of Length, ft [m]
³ Shelf surface area is composed of bottom deck plus standard shelf complement, as shown in the Hussmann *Product Reference Guide*. The standard shelf complement for this model is (4) rows of 22-inch shelves.

ESTIMATED SHIPPING WEIGHT ⁴

Case	<i>8 ft</i>	<i>12 ft</i>	Solid End
			<i>(each)</i>
lb (kg)	1500 (680)	2050 (930)	100 (45)

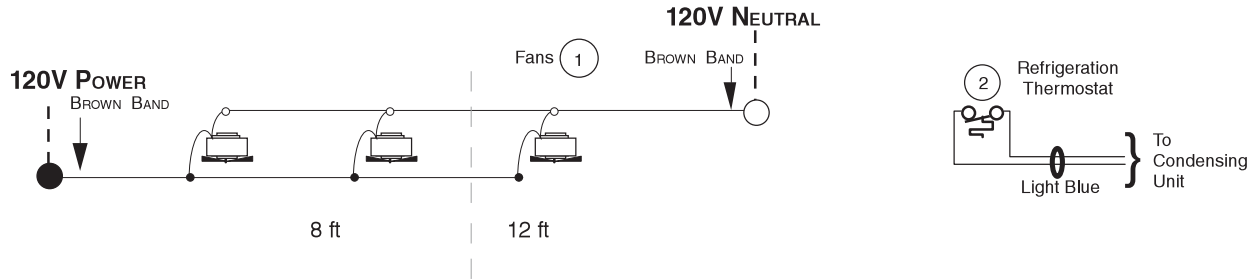
⁴ Actual weights will vary according to optional kits included.

Fan Wiring Offtime Defrost

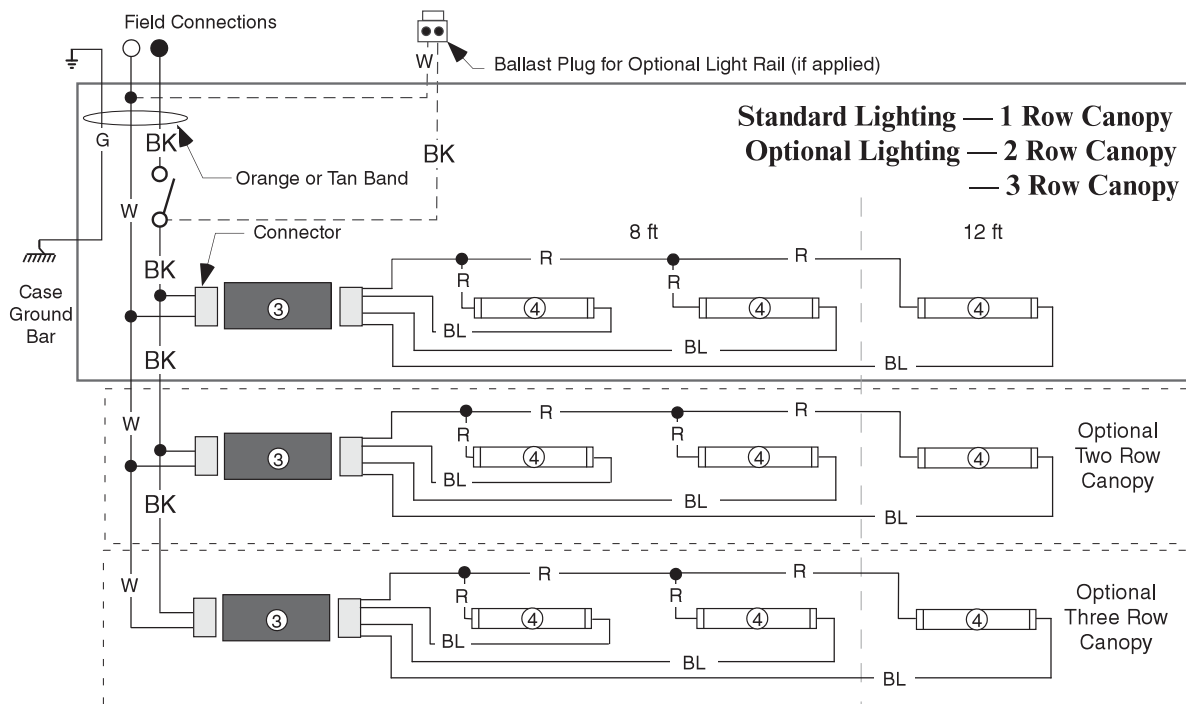
2 & 3 Fans

8 ft — 2 Fans

12 ft — 3 Fans



Canopy Light Circuits — Fluorescent Fixtures



WARNING

All components must have mechanical ground, and the merchandiser must be grounded.

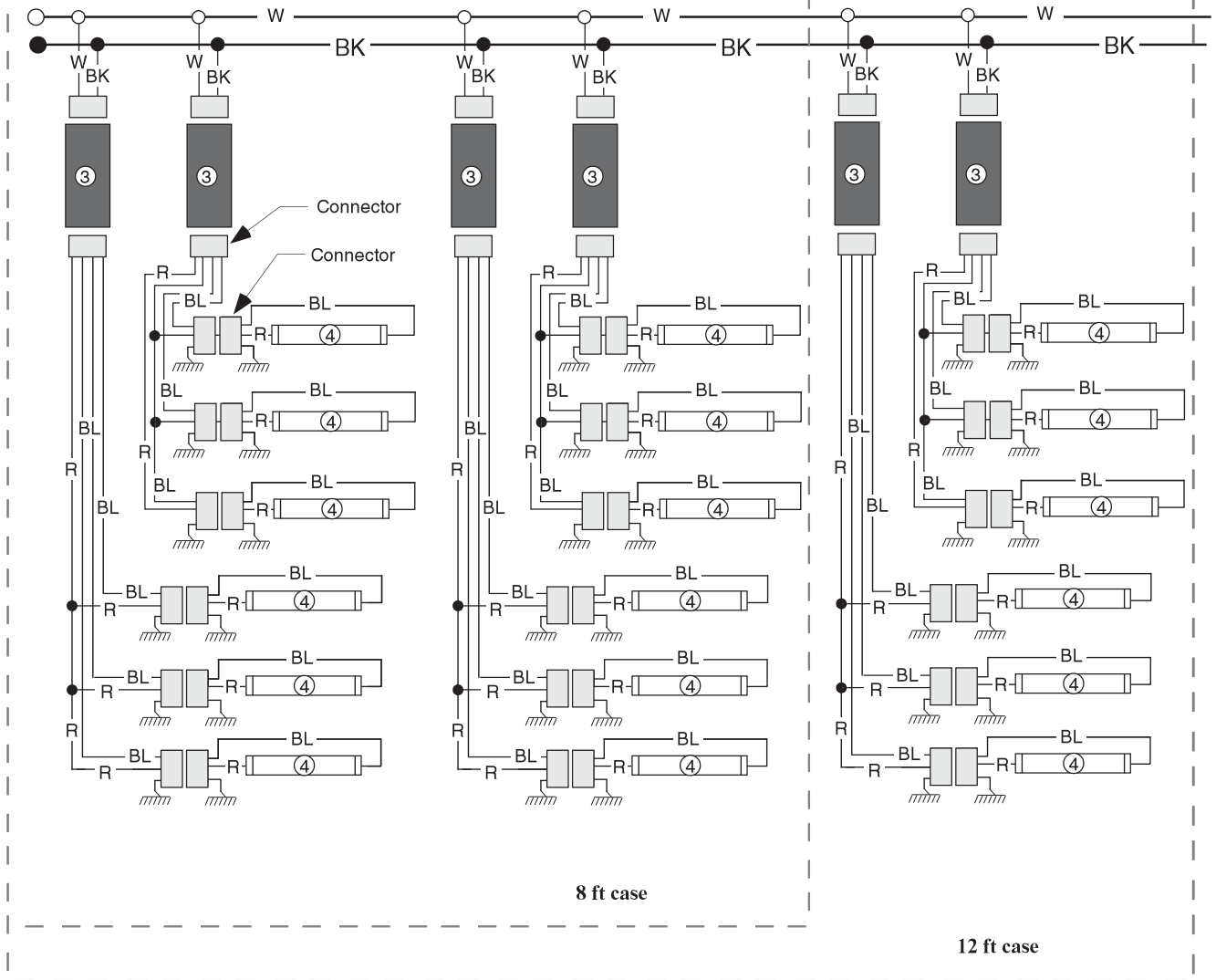
CIRCLED NUMBERS = PARTS LIST ITEM NUMBERS

R = Red Y = Yellow G = Green BL = Blue BK = Black W = White

● = 120V POWER ○ = 120V NEUTRAL ⊥ = FIELD GROUND ≡ = CASE GROUND

Optional Shelf Lighting Fluorescent Fixtures

Optional Shelf Harness and Fluorescent Light Circuits for Six Rows of Shelves



WARNING

All components must have mechanical ground, and the merchandiser must be grounded.

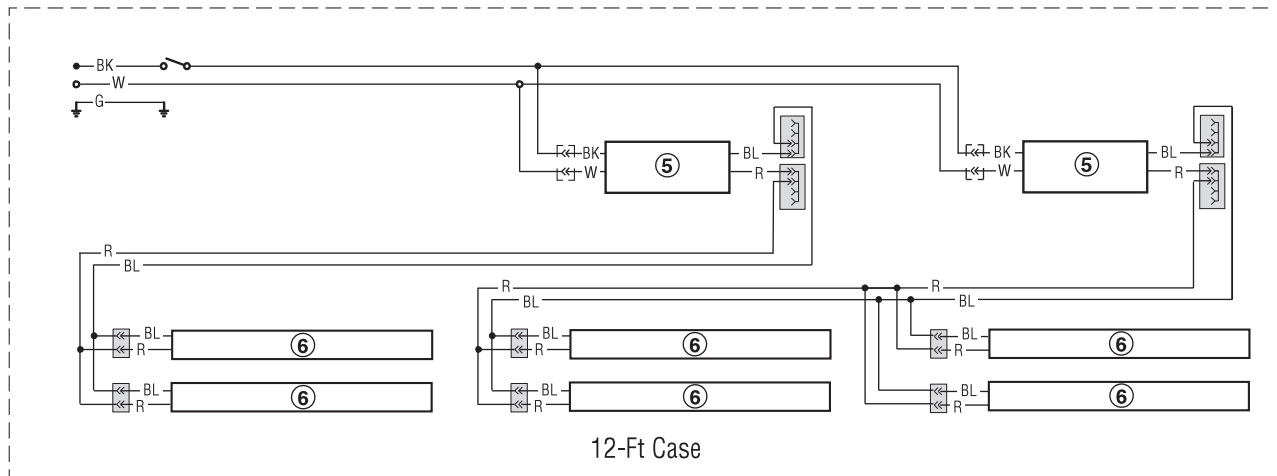
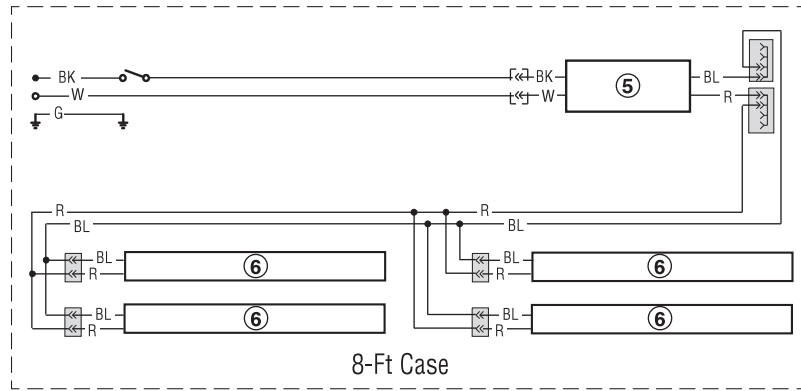
CIRCLED NUMBERS = PARTS LIST ITEM NUMBERS

R = Red Y = Yellow G = Green BL = Blue BK = Black W = White

● = 120V POWER ○ = 120V NEUTRAL ⏚ = FIELD GROUND ≡ = CASE GROUND

Optional Canopy Lighting LED Fixtures

Standard LED Canopy Lighting — 2 Row Canopy



WARNING

All components must have mechanical ground, and the merchandiser must be grounded.

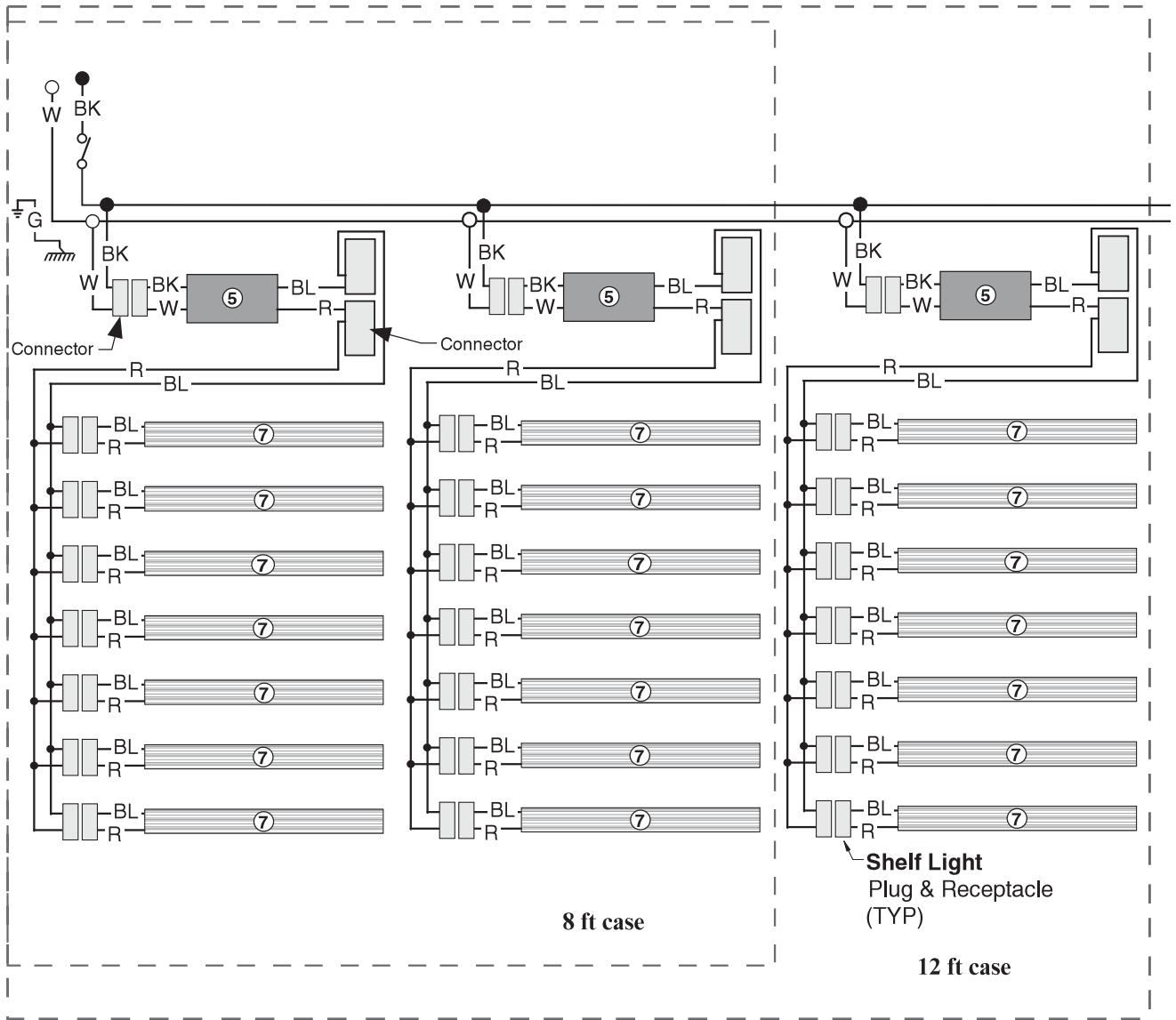
CIRCLED NUMBERS = PARTS LIST ITEM NUMBERS

R = Red Y = Yellow G = Green BL = Blue BK = Black W = White

● = 120V POWER ○ = 120V NEUTRAL ⊥ = FIELD GROUND ≡ = CASE GROUND

Optional Shelf Lighting LED Fixtures

Optional Shelf Harness and LED Light Circuits for 3, 4, 5, 6 & 7 Rows of Shelves



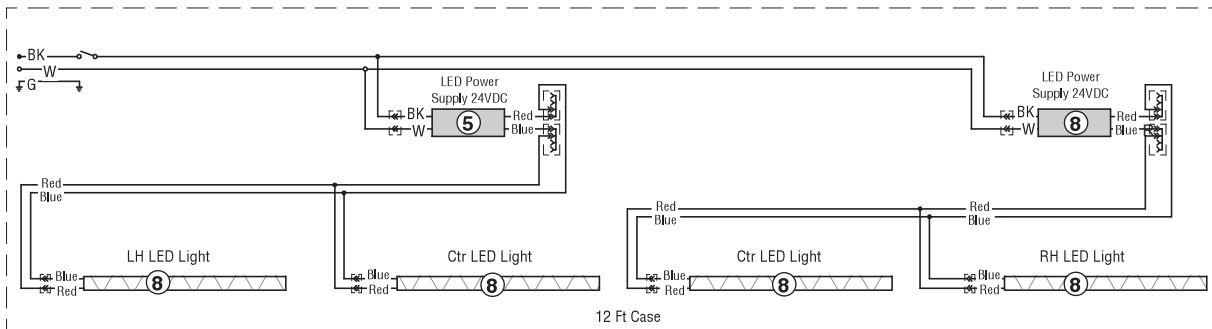
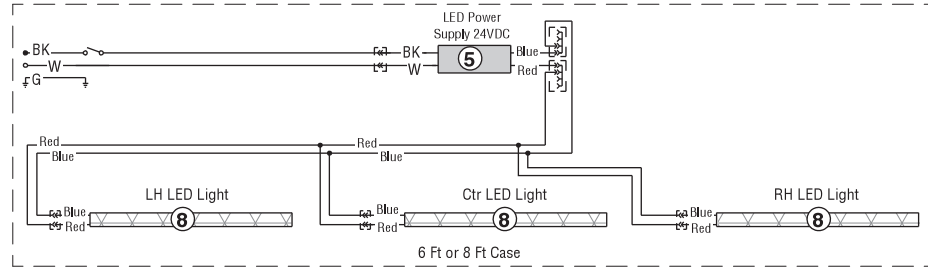
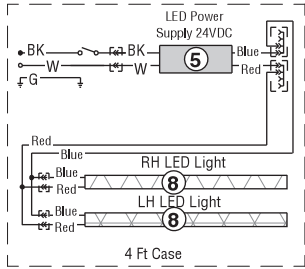
WARNING

All components must have mechanical ground, and the merchandiser must be grounded.

CIRCLED NUMBERS = PARTS LIST ITEM NUMBERS

R = Red G = Green BL = Blue BK = Black W = White
 ● = 120V POWER ○ = 120V NEUTRAL ⚡ = FIELD GROUND ⏏ = CASE GROUND

Optional Mullion Lighting LED Fixtures



WARNING

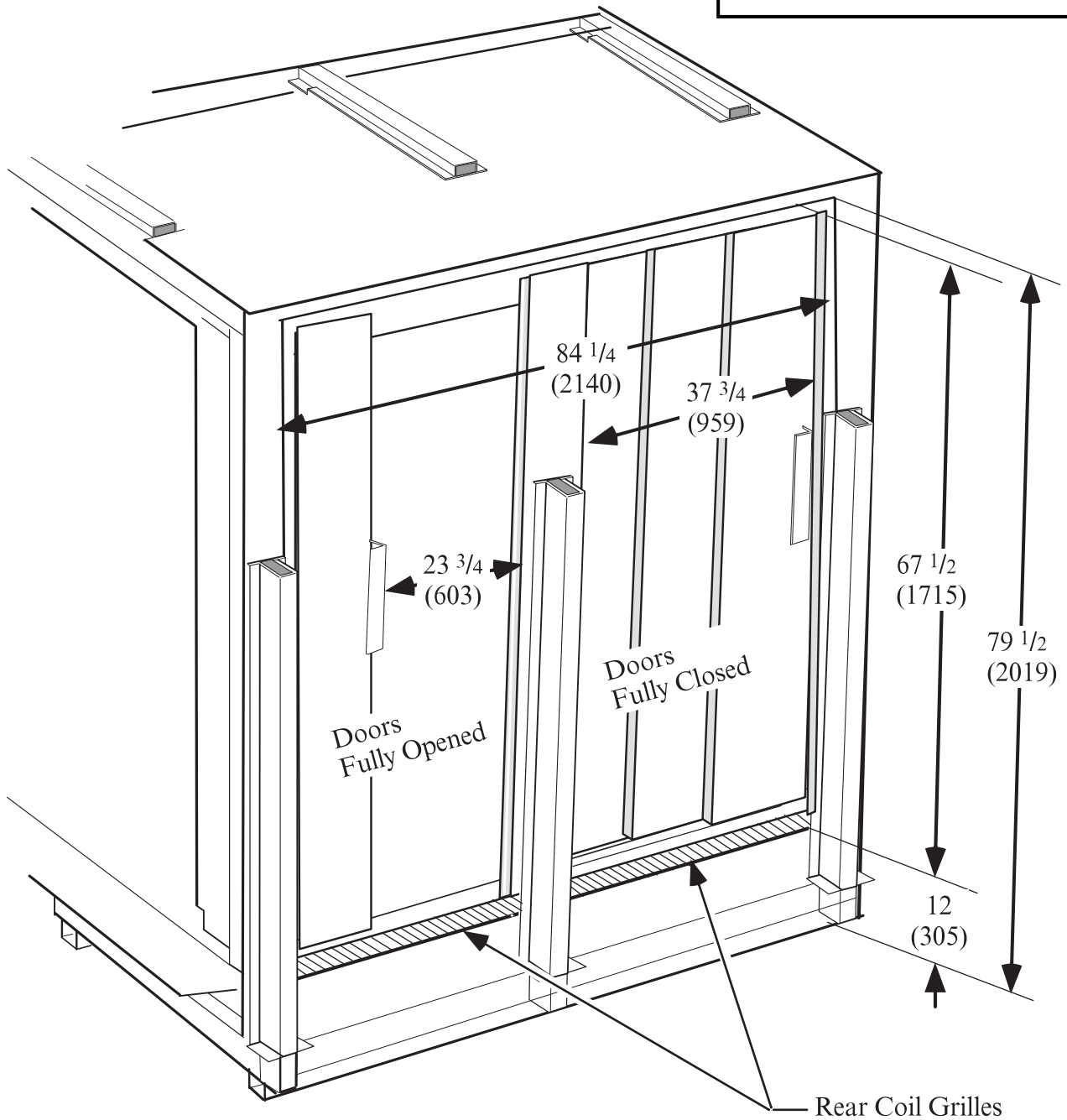
All components must have mechanical ground, and the merchandiser must be grounded.

CIRCLED NUMBERS = PARTS LIST ITEM NUMBERS

R = Red Y = Yellow G = Green BL = Blue BK = Black W = White

● = 120V POWER ○ = 120V NEUTRAL ⚡ = FIELD GROUND $\overline{\text{mm}}$ = CASE GROUND

Excel DD5X-LR
Dairy & Delicatessen

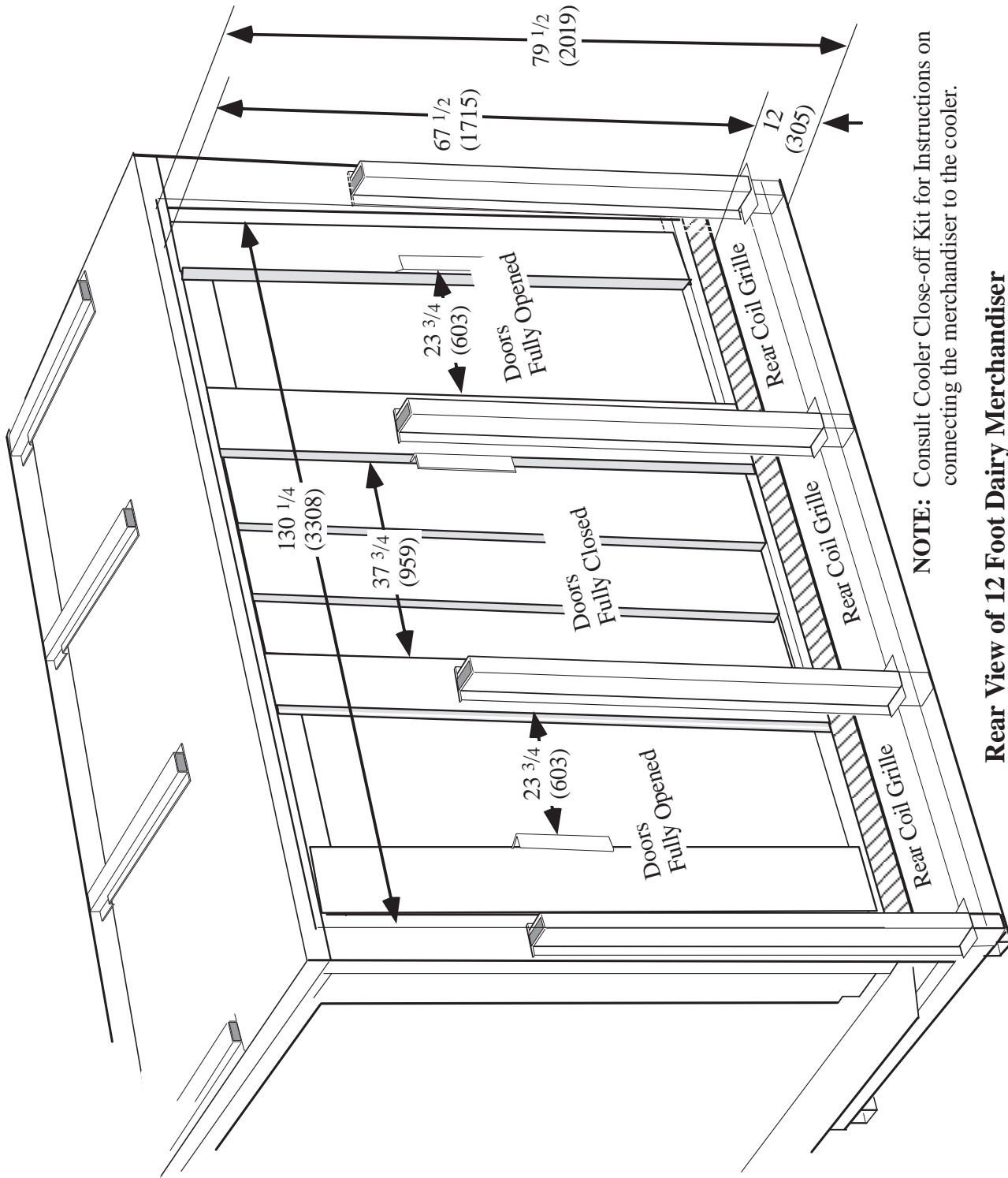


Rear View of 8 Foot Dairy Merchandiser

Double-walled telescoping doors slide both left and right.

NOTE: Consult Cooler Close-off Kit for instructions on connecting the merchandiser to the cooler.

Excel DD5X-LR
Dairy & Delicatessen



NOTE: Consult Cooler Close-off Kit for Instructions on connecting the merchandiser to the cooler.

Rear View of 12 Foot Dairy Merchandiser
Double-walled telescoping doors slide both left and right.