

HUSSMANN®



IWL3067R

IWM3067R

Technical Data Sheet

P/N 0520888_B

January 2012

***INNOVATOR & INNOVATOR III
DOOR SYSTEM
FOR WALK-IN COOLERS***



One to Five Doors per Frame, Left or Right Hinge

HUSSMANN/AMERICAN

Arroz 155

Iztapalapa, México D.F. 09820

Tel: 85 03 19 00

NOTE:

Revision B adds Innovator III Doors.



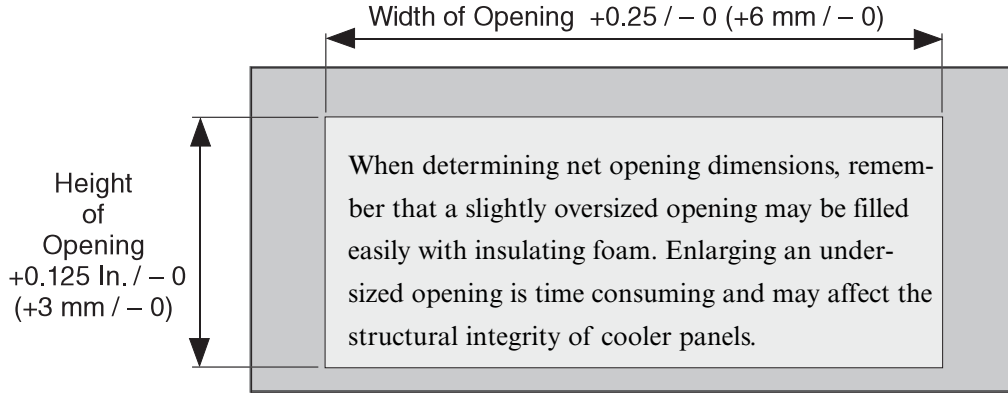
IWL3067R

IWM3067R

**Innovator or Innovator III
Door and Frame**

Innovator Doors are designed for use in areas where temperature does not exceed 75°F (24°C) and relative humidity does not exceed 55%.

Net Opening Width (from formula on page 3) +0.25 / - 0



Product Code

I W X X X X X X - X X X

Innovator Product Family _____

Walk-In Cooler _____

Temperature Application _____

L = Low

M = Medium

Nominal Door Width (inches) _____

Nominal Frame Height (inches) _____

Door Frame _____

R = RIM Molded

A = Aluminum

Number of Openings in Frame _____

Letter and Number designations used for color and trim options _____

Frame Dimensions

IWL3067R or IWM3067R Frame Width — to be used in formula on Page 3

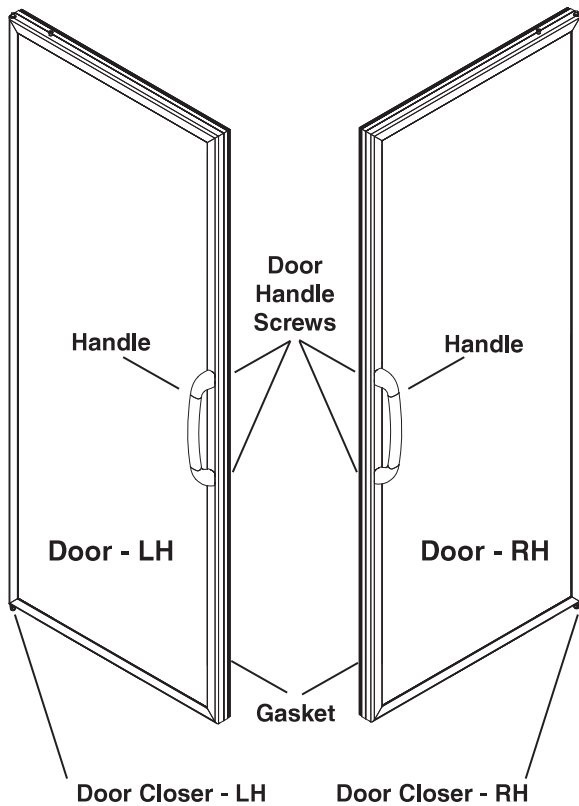
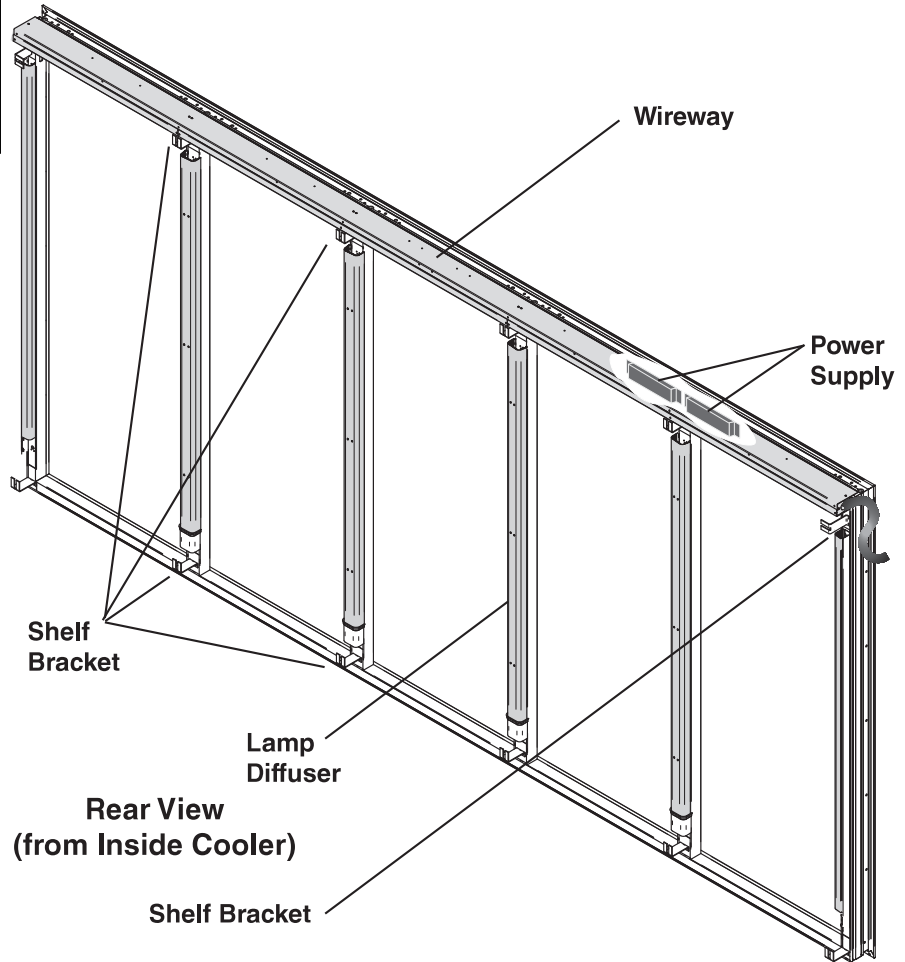
- 1 Door 31.5 in. (800 mm)
- 2 Doors 61.938 in. (1574 mm)
- 3 Doors 92.375 in. (2347 mm)
- 4 Doors 122.813 in. (3120 mm)
- 5 Doors 153.25 in. (3893 mm)

IWL3067 or IWM3067 Frame Height 67.5 in. (1715 mm)

IWL3067R

IWM3067R

**Innovator or Innovator III
Door and Frame**



IWL3067R
IWM3067R
Innovator or Innovator III
Door and Frame

Description

LED Power Supply

Clip LED, Center

Clip LED, End

LED Lamps (Replace with like fixtures, sizes and light temperatures shown below.)

LED Vertical 4000K 68 in.

LED Vertical 3500K 68 in.

LED Vertical 4000K 62 in.

LED Vertical 3500K 62 in.

Door–Innovator, Medium Temperature, Black, LH

Door–Innovator, Medium Temperature, Black, RH

Door–Innovator, Medium Temperature, Gray, LH

Door–Innovator, Medium Temperature, Gray, RH

Door–Innovator, Low Temperature, Black, LH

Door–Innovator, Low Temperature, Black, RH

Door–Innovator, Low Temperature, Gray, LH

Door–Innovator, Low Temperature, Gray, RH

NOTE: GLASS AND GLASS HEATERS ARE NOT FIELD REPLACEABLE.

Handle, Black

Handle, Gray

Screw-Handle

Gasket, Magnetic, Black

Gasket, Magnetic, Gray

Torsion Rod Assembly, Bottom, LH

Torsion Rod Assembly, Bottom, RH

Pin, Top Hinge

Spring, Hinge Pin Coil

Shoulder Screw, Hold-open, Black

Shoulder Screw, Hold-open, Gray

Molding, End

Molding, Joint

Binder Post & Screw

Wireway Cover

*Contact your Hussmann supplier,
Hussmann service organization or
Hussmann representative to obtain
replacement parts.*

*To find your nearest Hussmann
location, go to:*

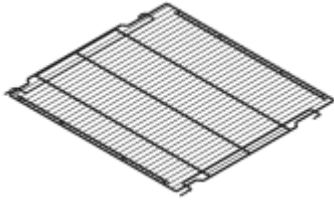
www.hussmann.com/locations

IWL3067R

IWM3067R

**Innovator or Innovator III
Door and Frame**

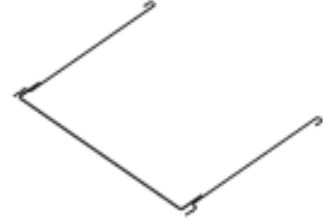
Shelving Accessory Identifier



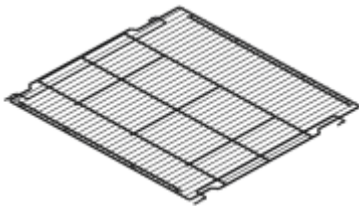
Normal Duty Shelf
(loads of 100 – 150 lb)



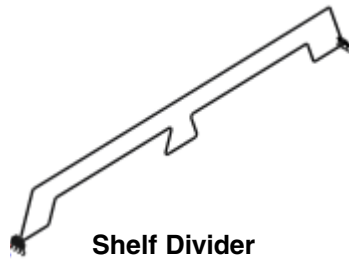
Drip Pan



Front & Side Guard



Heavy Duty Shelf
(loads of 150 – 200 lb)



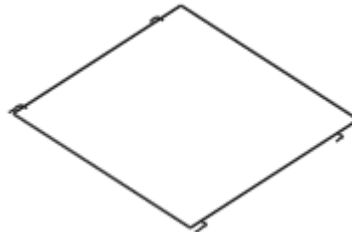
Shelf Divider



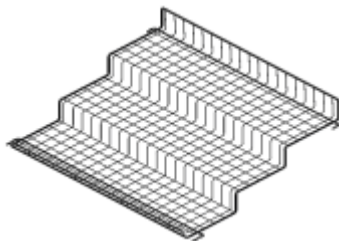
Post Spacer



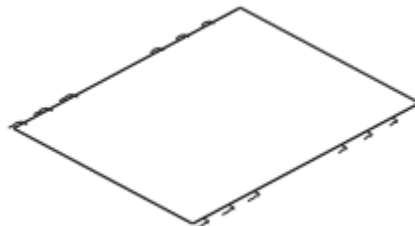
Variable Position Shelf
(loads up to 300 lb)



Shelf Perimeter Guard



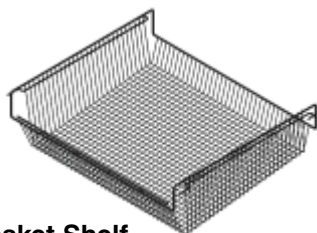
Step Shelf



Variable Position Perimeter Guard



**Mobile
Merchandiser**



Basket Shelf



Post with Leveler Bracket

Wiring diagrams are provided in the
Innovator I, Innovator II and Innovator III
Door System Installation & Service Manual,
P/N 0520886, available at
[http://www.hussmann.com/ServiceAndParts/](http://www.hussmann.com/ServiceAndParts/TechnicalInformation/Pages/Walk-InDoors)
TechnicalInformation/Pages/Walk-InDoors

IWL3067R
IWM3067R
Innovator or Innovator III
Door and Frame

IWL3067R

REFRIGERATION DATA

Additional Capacity 745 Btu/hr/door

ELECTRICAL DATA

	1	2	3	4	5	1	2	3	4	5
	Door	Door	Door	Door	Door	Door	Door	Door	Door	Door
Anti-sweat Heaters	Amperes					Watt				
Innovator III Doors – 120V 50/60Hz	0.43	0.90	1.30	1.70	2.20	52	104	156	208	260
Innovator Doors – 120V 60Hz	0.42	0.83	1.25	1.67	2.08	50	100	150	200	250
Doors – 220V 50Hz	NA	NA	NA	NA	NA	NA	NA	NA	NA	NA
Frames – 120V 60Hz	0.40	0.78	1.18	1.57	1.97	48	94	142	188	236
Frames – 220V 50Hz	0.21	0.43	0.64	0.85	1.07	46	95	141	187	235
Vertical Lighting										
EcoShine II – 120V 60 Hz	0.18	0.36	0.54	0.72	0.90	22	43	65	86	108
EcoShine II – 220V 50 Hz	0.10	0.20	0.29	0.39	0.49	22	43	65	86	108
Fluorescent – 120V 60 Hz	1.00	1.50	2.00	2.50	3.00	120	180	240	300	360
Fluorescent – 220V 60 Hz	0.46	0.84	1.12	1.40	1.68	101	185	246	308	370

IWM3067R

REFRIGERATION DATA

Additional Capacity 450 Btu/hr/door

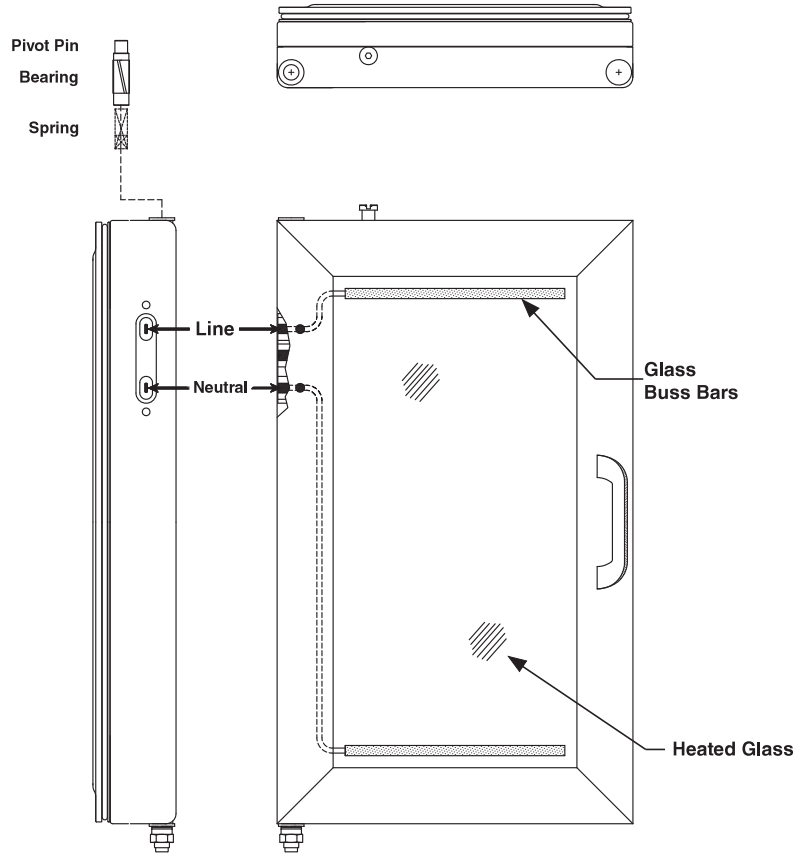
ELECTRICAL DATA

	1	2	3	4	5	1	2	3	4	5
	Door	Door	Door	Door	Door	Door	Door	Door	Door	Door
Anti-sweat Heaters	Amperes					Watt				
Doors	NA	NA	NA	NA	NA	NA	NA	NA	NA	NA
Frames – 120V 60Hz	0.20	0.39	0.59	0.78	0.98	24	47	71	94	118
Frames – 220V 50Hz	0.11	0.21	0.32	0.43	0.54	24	46	70	95	119
Vertical Lighting										
EcoShine II – 120V 60 Hz	0.18	0.36	0.54	0.72	0.90	22	43	65	86	108
EcoShine II – 220V 50 Hz	0.10	0.20	0.29	0.39	0.49	22	43	65	86	108
Fluorescent – 120V 60 Hz	1.00	1.50	2.00	2.50	3.00	120	180	240	300	360
Fluorescent – 220V 60 Hz	0.46	0.84	1.12	1.40	1.68	101	185	246	308	370

IWL3067R

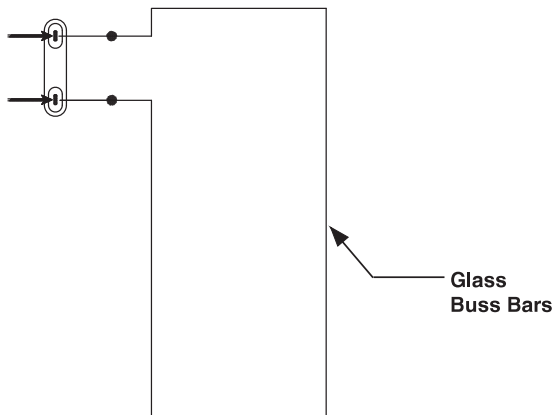
IWM3067R

**Innovator or Innovator III
Door and Frame**



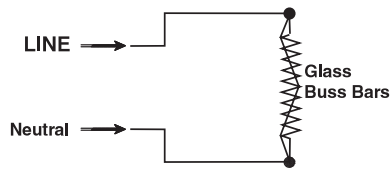
DIAGRAM

NOT TO SCALE



**Innovator I and III
Low Temperature Doors
Only**

SCHEMATIC

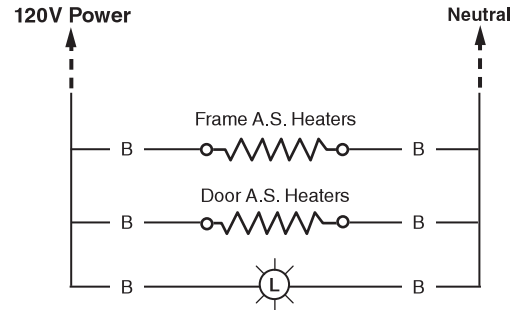


Test Resistance = 150 Ohms
(Line/Neutral)

Conduit from Wireway

Each frame has the following wires in flexible conduit:

- A. **LOW TEMPERATURE APPLICATION ONLY** — The *Door Heater Harness* is made of two joined black wires.
- B. The *Frame Heater Harness* is made of two separate black wires **OR** one black and one white wire; one or both will have a part number stamped visibly along the length of the wire.
- C. The *Power Supply Harness* has one white wire and one black wire bound with Tiewrap.
- D. The *Ground* wire is green.



This photo shows the wiring with lables added for clarity. The diagram shows how the wires must be connected.

