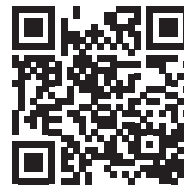


DOE 2017
Energy Efficiency
Compliant

NSF Certification

This merchandiser model is manufactured to meet NSF/ANSI (National Sanitation Foundation) Standard #7 requirements for construction, materials and cleanability.



Scan the QR code on your mobile device to access additional product information or order parts.

Parts may also be ordered at:

parts.hussmann.com

Call toll free: 1.855.487.7778

We reserve the right to change or revise specifications and product design in connection with any feature of our products. Such changes do not entitle the buyer to corresponding changes, improvements, additions or replacements for equipment previously sold or shipped.

Note: Revision M: July 2019. Updated Lighting and CaseShieldPTM.

Datasheet-Excel-D5X-LRE

Engineering Plan Views

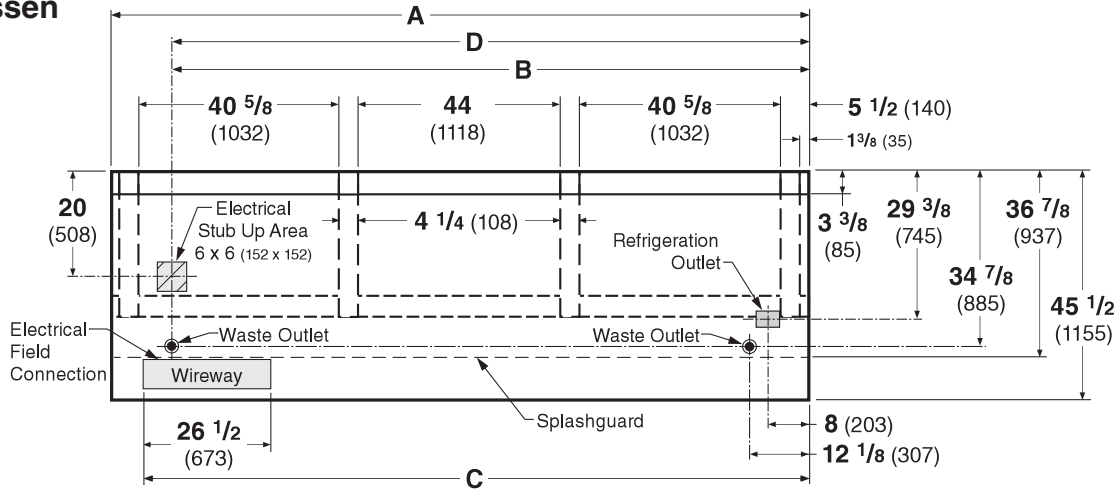
PHYSICAL DATA	
Merchandiser Drip Pipe (in.)	1 1/4
Merchandiser Liquid Line (in.)	3/8
Merchandiser Suction Line (in.)	7/8

Rear Load Dairy & Delicatessen

12-2009

D5XR

Dimensions shown as in. and (mm).



NOTE: Case-to-Case Electrical Connections are made IN FRONT OF SPLASHGUARD.

FRONT

12 ft plan view is shown.

General	6 ft	8 ft	12 ft
(A) Case Length (<i>without ends or partitions</i>) <i>(Each end and insulated partition adds 1 1/2 in. (38 mm) to case line up.)</i>	72 3/8 (1838)	96 3/8 (2448)	144 1/2 (3670)
Maximum O/S dimension of case <i>(back to front, including bumper)</i>	45 1/2 (1155)	45 1/2 (1155)	45 1/2 (1155)
Back of case to front of splashguard	36 7/8 (937)	36 7/8 (937)	36 7/8 (937)
Back of case to O/S edge of front skid rail	29 1/2 (749)	29 1/2 (749)	29 1/2 (749)
Width of skid rail	2 3/8 (61)	2 3/8 (61)	2 3/8 (61)
RH end of case to outside edge of external support	5 1/2 (140)	5 1/2 (140)	5 1/2 (140)
Distance between edges of external support and center support	28 5/8 (727)	40 5/8 (1032)	40 5/8 (1032)
Distance between edges of center supports	NA	NA	44 (1118)
Distance between external supports	NA	NA	NA
Distance between front skid rail and splashguard	6 (152)	6 (152)	6 (152)
Electrical Service <input checked="" type="checkbox"/> <i>(Electrical Field Wiring connection point)</i>			
(B) RH End of case to center of stub up area	60 1/4 (1530)	84 1/4 (2140)	132 3/8 (3363)
Back of case to center of stub up area	20 (508)	20 (508)	20 (508)
Length of electrical wireway <input type="checkbox"/> Wireway	26 1/2 (673)	26 1/2 (673)	26 1/2 (673)
(C) RH End of case to LH end of wireway	66 1/8 (1680)	90 1/8 (2289)	138 1/4 (3511)
Waste Outlets <i>(One each end)</i> <input checked="" type="checkbox"/>			
(D) End of case to the center of farthest waste outlet	60 1/4 (1530)	84 1/4 (2140)	132 3/8 (3363)
End of case to the center of nearest waste outlet	12 1/8 (307)	12 1/8 (307)	12 1/8 (307)
Back O/S of case to center of waste outlets	34 7/8 (885)	34 7/8 (885)	34 7/8 (885)
Outside diameter of the drip pipe	1 1/4 (32)	1 1/4 (32)	1 1/4 (32)
Refrigeration Outlet <input type="checkbox"/>			
Back of case to center of refrigeration outlet	29 3/8 (745)	29 3/8 (745)	29 3/8 (745)
RH end of case to center of refrigeration outlet	8 (203)	8 (203)	8 (203)

Multi-deck, 5 Display Levels with Sliding Rear Door, Low Front



Hussmann refrigerated merchandisers configured for sale for use in the United States meet or surpass the requirements of the DOE 2017 energy efficiency standards.

Excel D5X-LRE
Dairy & Delicatessen

REFRIGERATION DATA

Note: This data is based on store temperature and humidity that does not exceed 75°F and 55% R.H.

	D5X-LRE§
Discharge Air °F	32
Evaporator °F	24
Unit Sizing °F	22

§ Average evaporator temperature shown. Use dew point for high glide refrigerants for unit sizing. Care should be taken to use the dew point in PT tables for measuring and adjusting superheat. Adjust evaporator pressure as needed to maintain discharge air temperature shown.

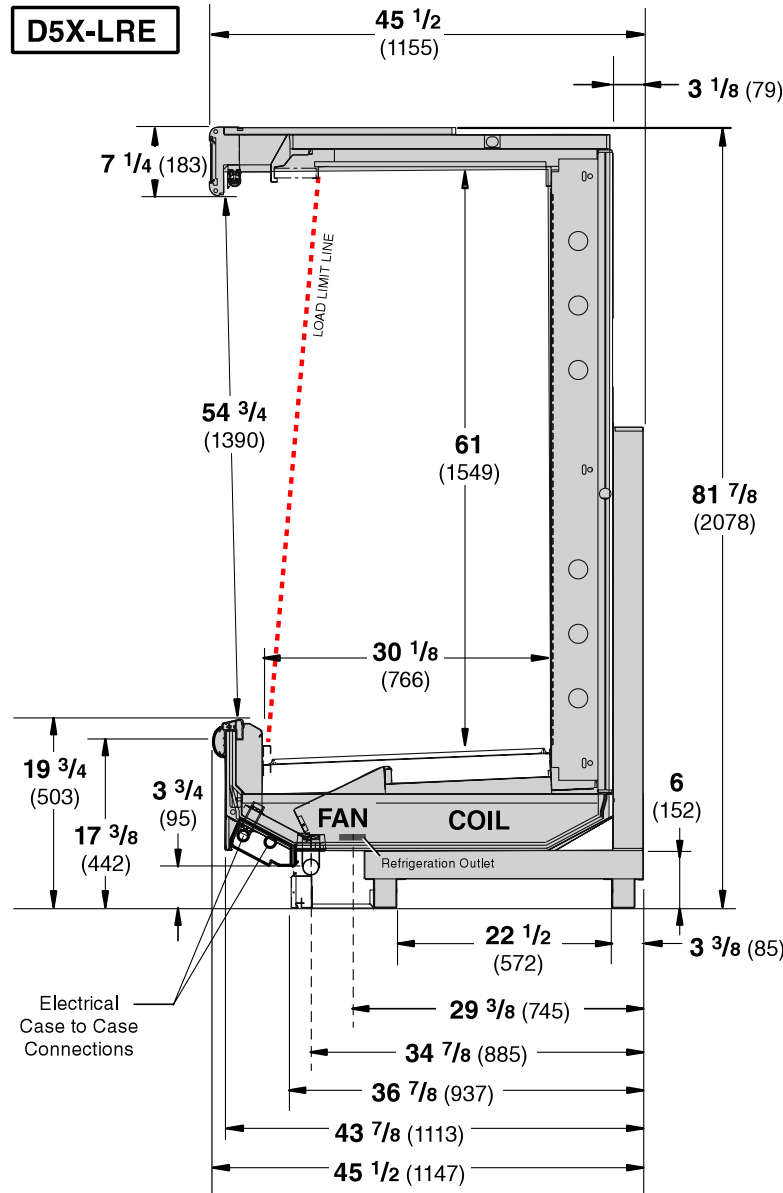
Btu/hr/ft — Unlit Shelves†

D5X-LRE	Parallel	Conventional
UNLIT	1515	1615
PEG*	1635	1735

* Hussmann Peg Shelves (Deli only).

† Add 10 Btu/hr/ft per shelf row for LED fixtures. Add 20 Btu/hr/ft per shelf row for fluorescent lamps. Reduce refrigeration load by 15% if fitted with CaseShieldPTM.

Dimensions shown as in. and (mm).



DEFROST DATA

Frequency Hrs	6
Defrost Water (lb/ft/day)	10.5

(± 15% based on case configuration and product loading).

OFFTIME	D5X-LRE
Temp Term °F	48
Failsafe Minutes	35

ELECTRIC OR GAS Not Recommended

Standard Defrost Thermostat

Close on rise: close 48°F — open 33°F

CONVENTIONAL CONTROLS

Low Pressure Backup Control

CI/CO**	D5X-LRE
	17°F / 7°F

Indoor Unit Only,

Pressure Defrost Termination** 48°F

**Use a Temperature Pressure Chart to determine PSIG conversions.

Estimated Charge ***	D5X-RE	
6 ft	1.9 lb	30 oz 0.9 kg
8 ft	2.7 lb	43 oz 1.2 kg
12 ft	3.9 lb	62 oz 1.8 kg

***This is an average for all refrigerant types. Actual refrigerant charge may vary by approximately half a pound (8 oz/0.2 kg).

Excel D5X-LRE Dairy & Delicatessen

Electrical Data

			6 ft	8 ft	12 ft			
Number of Fans — 12W			—	4	6			
Number of Fans — 7W			4	—	—			
			Amperes			Watts		
			6 ft	8 ft	12 ft	6 ft	8 ft	12 ft
Evaporator Fan								
120V	50/60Hz	Standard Energy Efficient	0.76	1.20	1.80	56	72	108
230V	50/60Hz	Standard Energy Efficient	0.40	0.60	0.90	56	72	108
230V	60Hz	Export	1.00	1.32	1.98	156	200	300
230V	50Hz	Export	1.12	1.52	2.28	168	228	342
Minimum Circuit Ampacity								
120V	50/60Hz	Standard Energy Efficient	0.96	1.40	2.00			
230V	50/60Hz	Standard Energy Efficient	0.60	0.80	1.10			
230V	60Hz	Export	1.20	1.52	2.18			
230V	50Hz	Export	1.32	1.72	2.48			
Maximum Over Current Protection 120V			20	20	20			
Maximum Over Current Protection 230V			15	15	15			

ONLY LIGHTING CONFIGURATIONS THAT ARE COMPLIANT WITH THE U.S. DEPT. OF ENERGY (DOE) 2017 REGULATION ARE AVAILABLE FOR SALE FOR USE IN THE U.S.A.

			Amperes			Watts		
			6ft	8 ft	12 ft	6 ft	8 ft	12 ft
LED LIGHTING								
EcoShine ULTRA Canopy Lights								
1 Row EcoShine ULTRA			0.26	0.36	0.54	31	43	64
EcoShine II Canopy Lights								
1 Row EcoShine II			0.26	0.32	0.48	32	39	58
1 Row EcoShine II HO			0.33	0.44	0.66	40	53	79
EcoShine II Shelf Lights								
4 Rows of Shelves			0.47	0.66	0.99	56	79	119
EcoShine II Rail Light — 1 Row			0.12	0.16	0.25	14	20	30
Standard Lighting (T-8 Fluorescent) 1 Row Canopy								
Each Row of Canopy, Shelf or Rail Lights			0.51	0.51	0.77	59	59	85

120V Lighting Circuit Total = Standard Lighting + Total Optional Lighting + Optional Shelf Lighting

120V LED Lighting Circuit Total = Canopy Lighting + Shelf Lighting + Optional Rail Lighting

230V Lighting Circuit Total = Multiply 120V Lighting Circuit Total by 0.52

Please note: some combinations of fluorescent lights on this case model may not be compliant with DOE 2017 and may not be available to order in the US and Canada. More lighting options are available with LED lights. The Hussmann Product Configurator will not allow lighting options that do not comply with the DOE 2017 standards.

Product Data

<i>Recommended Usable Cube</i> ¹ (Cu Ft/Ft)	7.60 ft ³ /ft (0.71 m ³ /m)
<i>AHRI Total Display Area</i> ² (Sq Ft/Ft)	4.58 ft ² /ft (1.40 m ² /m)
<i>Shelf Area</i> ³ (Sq Ft/Ft)	9.85 ft ² /ft (3.00 m ² /m)

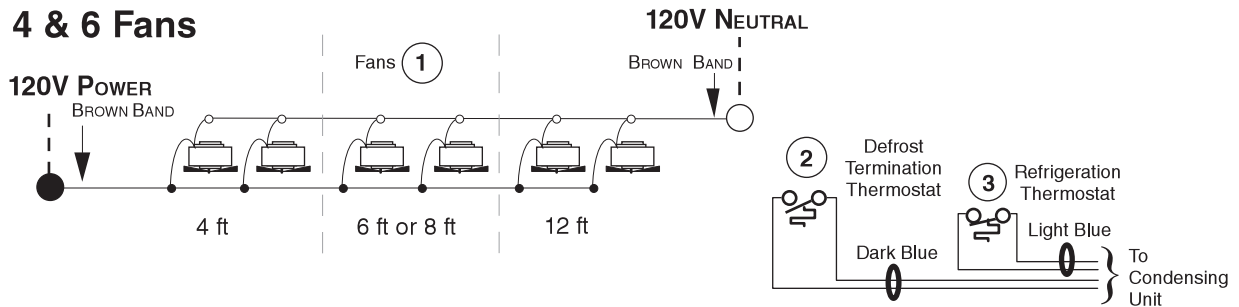
- ¹ AHRI Refrigerated Volume less shelving and other unusable space: Refrigerated Volume/Unit of Length, ft³/ft [m³/m]
- ² Computed using AHRI 1200 standard methodology: Total Display Area, ft² [m²]/Unit of Length, ft [m]
- ³ Shelf surface area is composed of bottom deck plus standard shelf complement, as shown in the Hussmann *Product Reference Guide*. The standard shelf complement for this model is (4) rows of 22-inch shelves.


ESTIMATED SHIPPING WEIGHT⁴

Case	6 ft	8 ft	12 ft	Solid End (each)
lb (kg)	1050 (476)	1300 (590)	1750 (794)	100 (45)

⁴ Actual weights will vary according to optional kits included.

**Fan Wiring
Offtime Defrost**

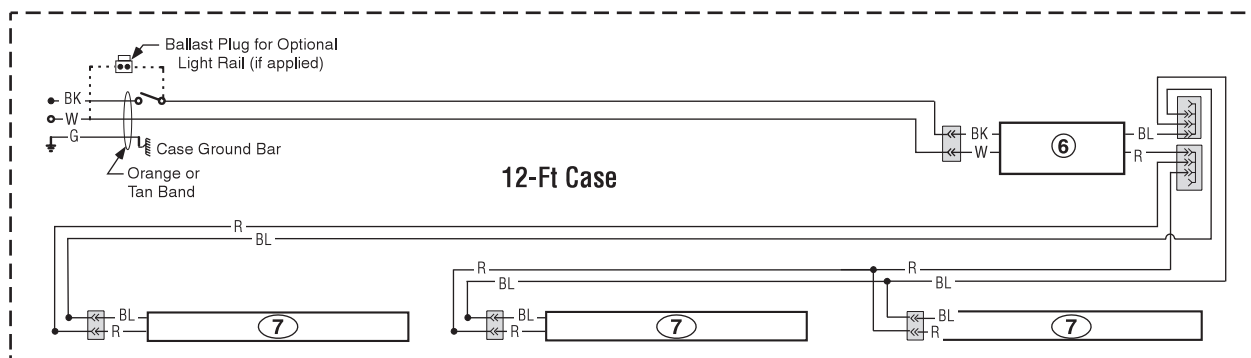
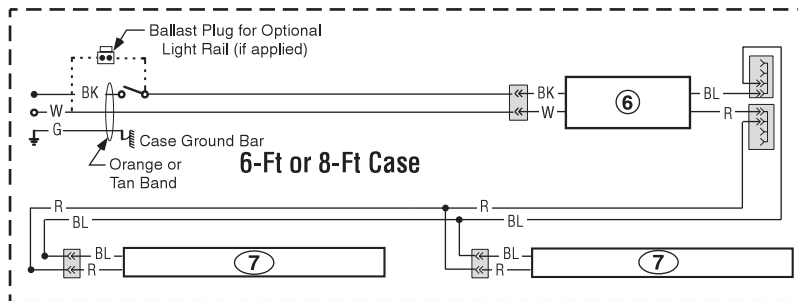




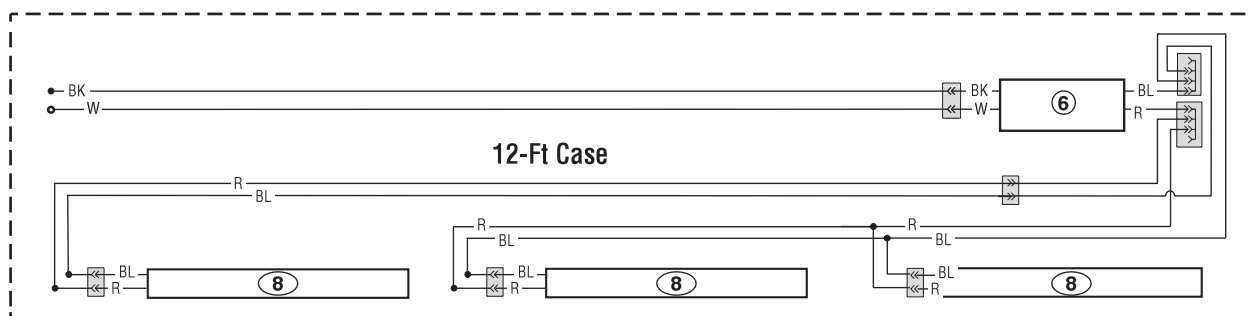
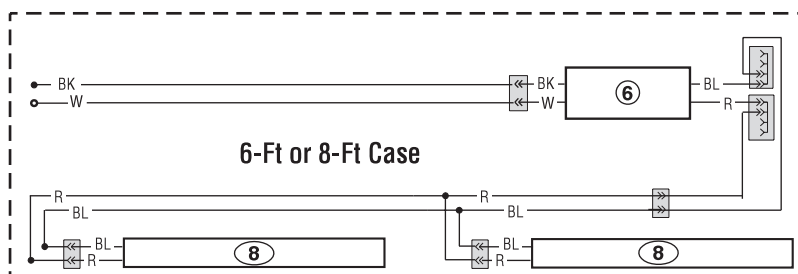
Scan QR code to access
Fluorescent Wiring Diagrams
on your mobile device.

LED Canopy and Rail Light Circuits

LED Canopy Lighting — 1 Row



LED Rail Lighting — 1 Row



WARNING

All components must have mechanical ground, and the merchandiser must be grounded.

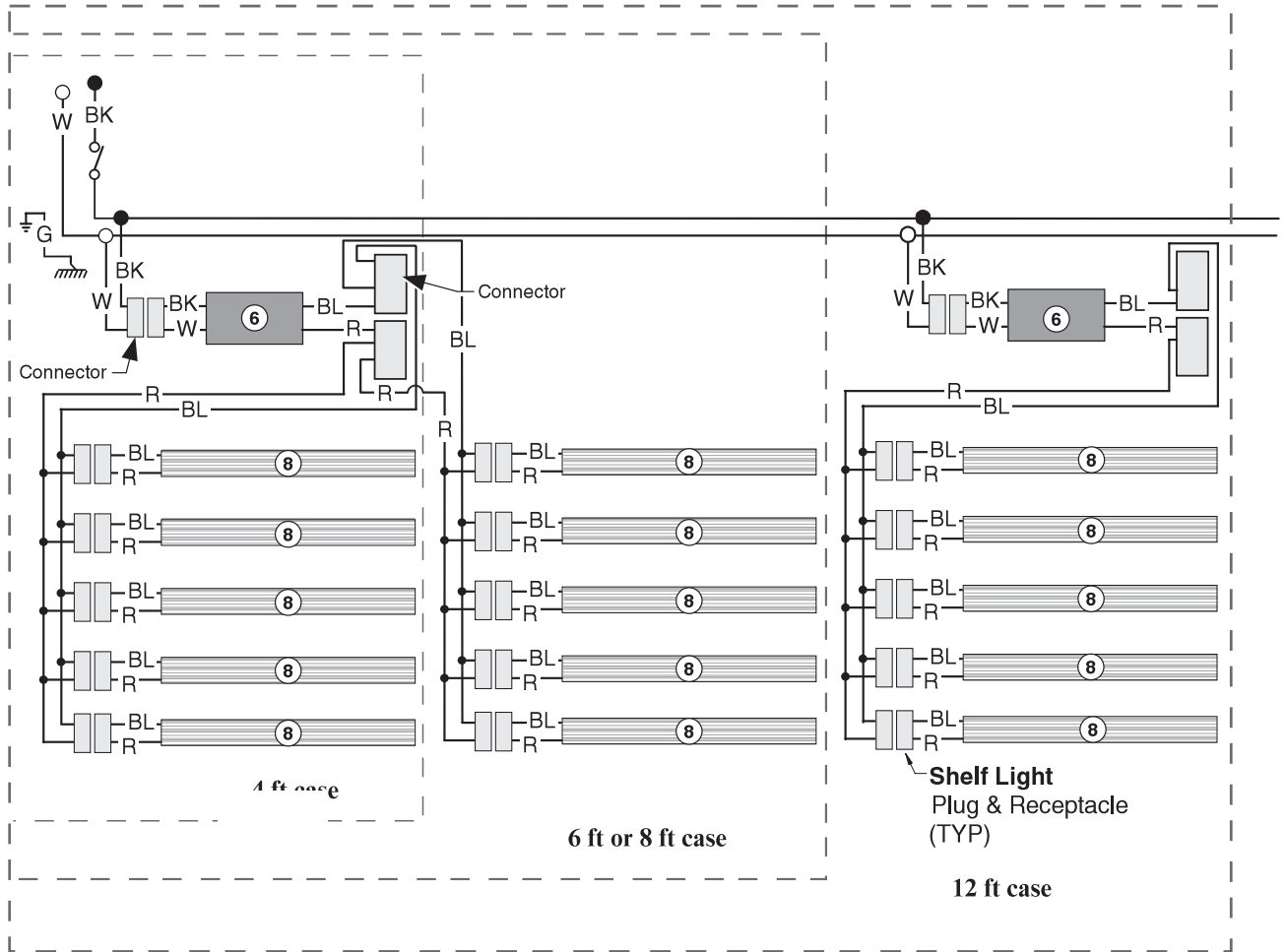
CIRCLED NUMBERS = PARTS LIST ITEM NUMBERS

R = Red Y = Yellow G = Green BL = Blue BK = Black W = White

● = 120V POWER ○ = 120V NEUTRAL ⊥ = FIELD GROUND ≡ = CASE GROUND

Optional Shelf Lighting LED Fixtures

Shelf Harness and LED Light Circuits for 4 or 5 Rows of Shelves



WARNING

All components must have mechanical ground, and the merchandiser must be grounded.

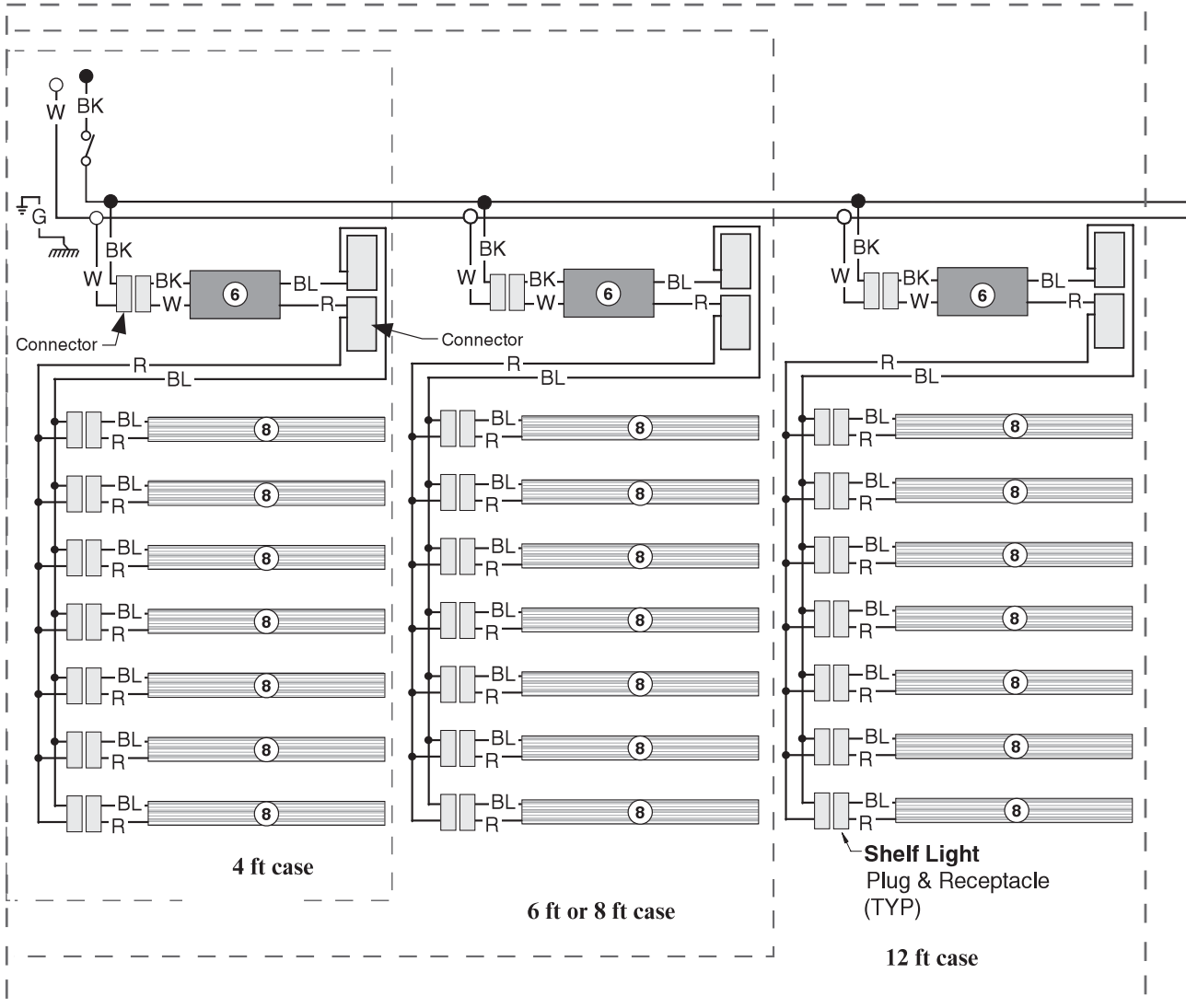
CIRCLED NUMBERS = PARTS LIST ITEM NUMBERS

R = Red G = Green BL = Blue BK = Black W = White

● = 80V POWER ○ = 80V NEUTRAL ⚡ = FIELD GROUND *mm* = CASE GROUND

Optional Shelf Lighting LED Fixtures

Shelf Harness and LED Light Circuits for 6 or 7 Rows of Shelves



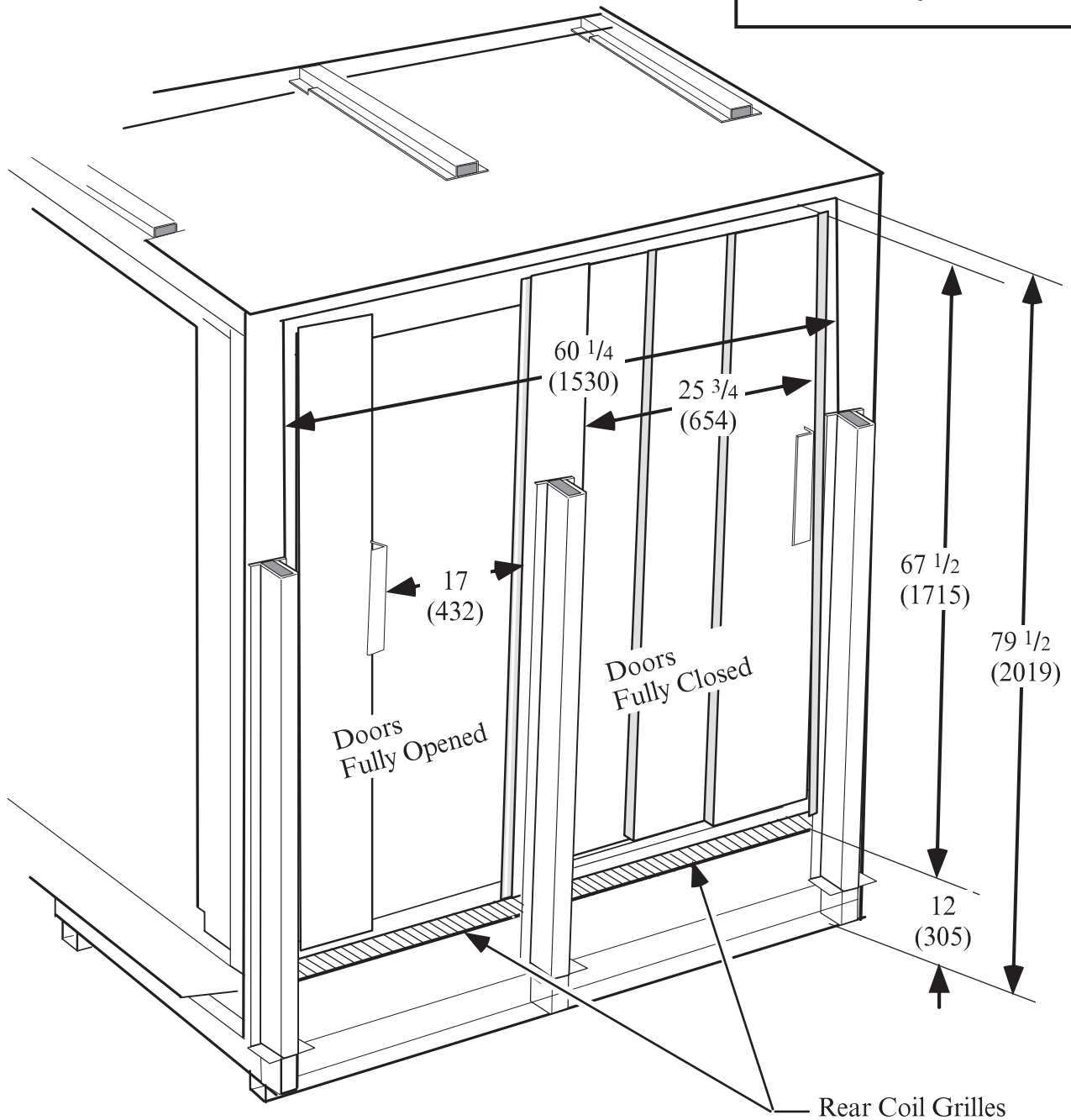
WARNING

All components must have mechanical ground, and the merchandiser must be grounded.

CIRCLED NUMBERS = PARTS LIST ITEM NUMBERS

R = Red G = Green BL = Blue BK = Black W = White

● = 80V POWER ○ = 80V NEUTRAL ⚡ = FIELD GROUND mmm = CASE GROUND

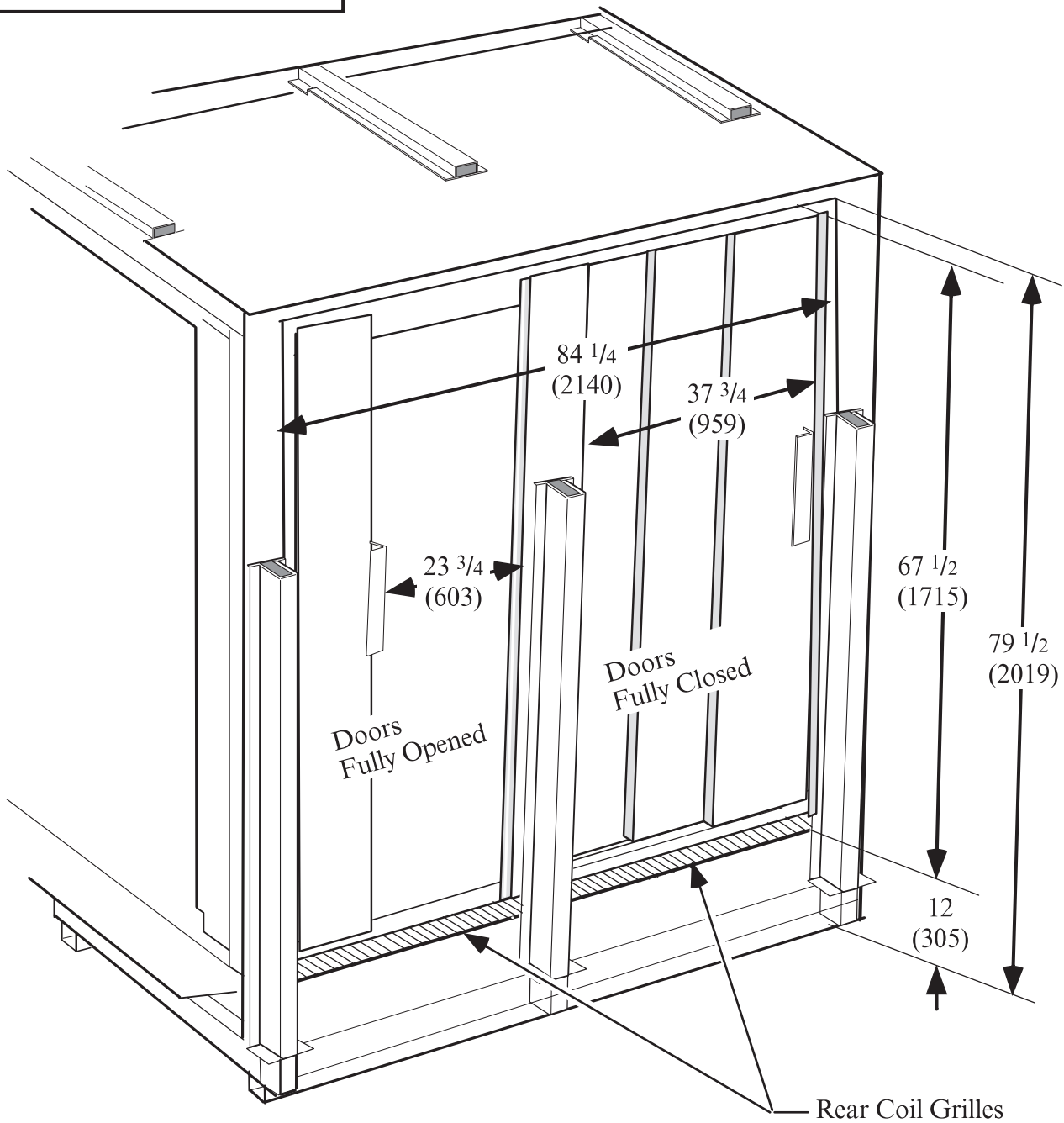


Rear View of 6 Foot Dairy Merchandiser

Double-walled telescoping doors slide both left and right.

NOTE: Consult Cooler Close-off Kit for instructions on connecting the merchandiser to the cooler.

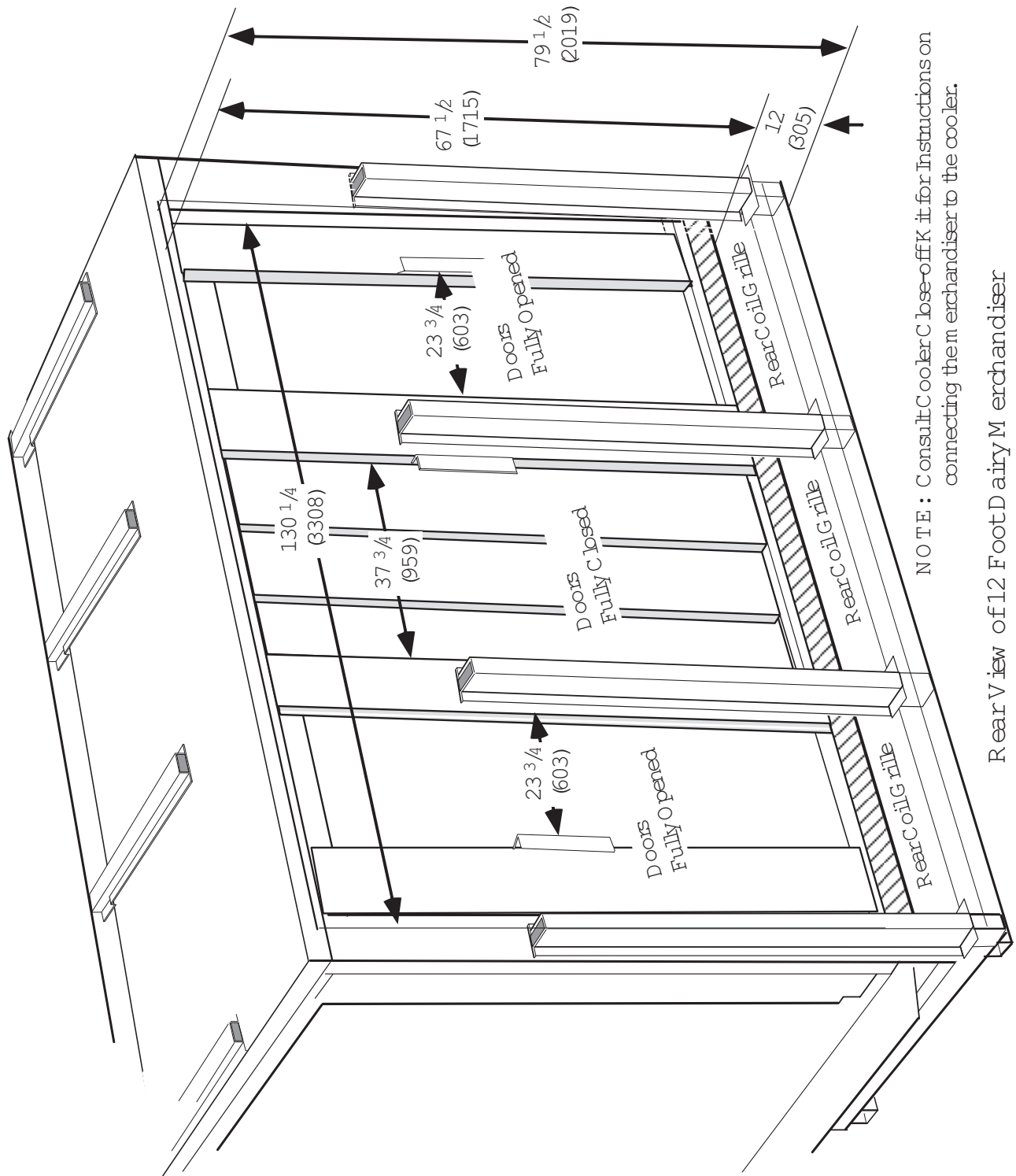
Excel D5X-LRE
Dairy & Delicatessen



Rear View of 8 Foot Dairy Merchandiser
Double-walled telescoping doors slide both left and right.

NOTE: Consult Cooler Close-off Kit for instructions on connecting the merchandiser to the cooler.

Excel D5X-LRE
Dairy & Delicatessen



NOTE: Consult Cooler Close-off Kit for Instructions on connecting the merchandiser to the cooler.

Rear View of 12 Foot Dairy Merchandiser
Double-vented telescoping doors slide both left and right.