

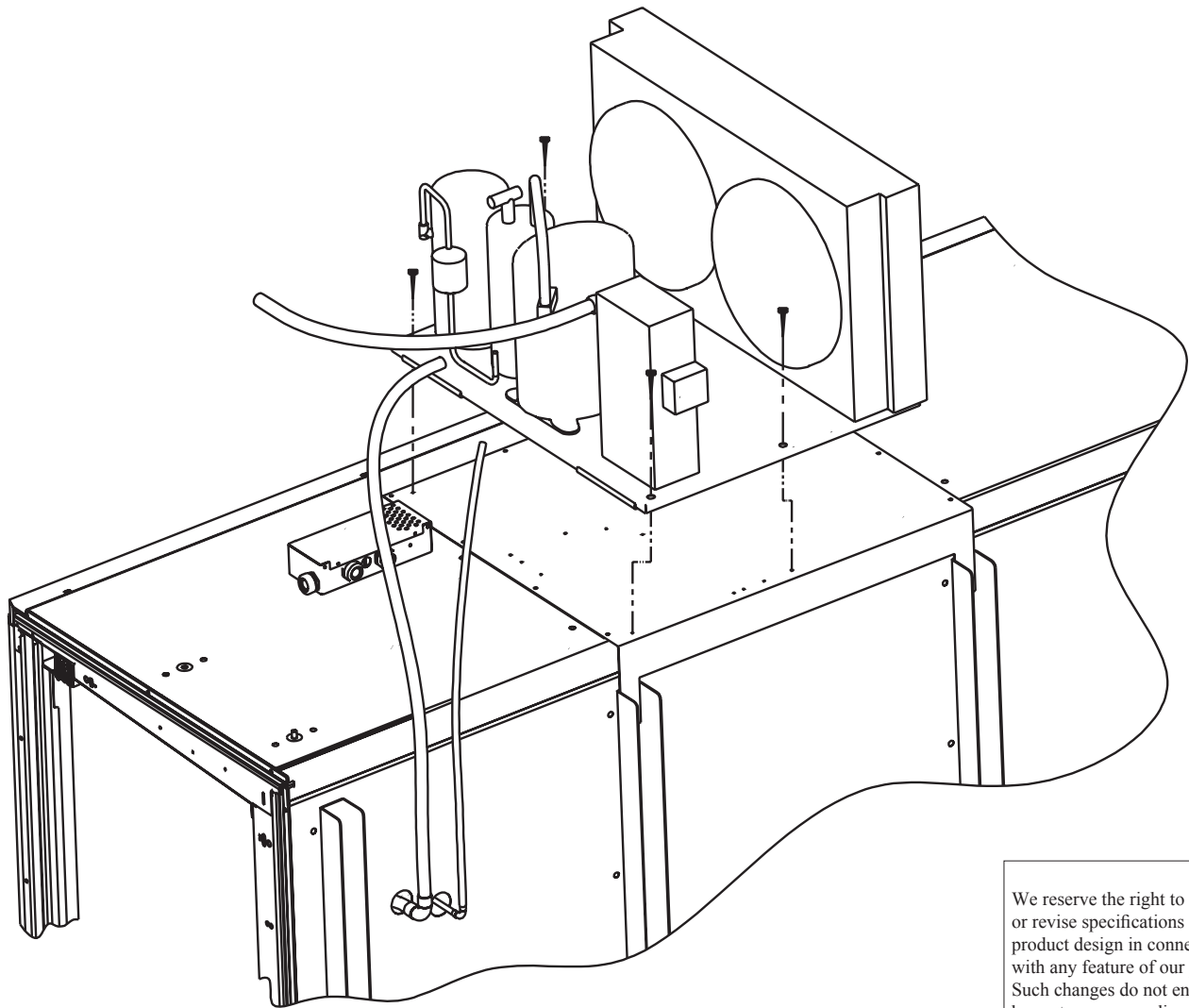
# HUSSMANN®

## Reach-In Freedom Condensing Units

Technical Data Sheet

P/N 3049063\_E

July 2019



We reserve the right to change or revise specifications and product design in connection with any feature of our products. Such changes do not entitle the buyer to corresponding changes, improvements, additions or replacements for equipment previously sold or shipped.

Datasheet-Freedom Line Condensing Units

**R448A**

Note: Revision E: Updated condensing unit refrigerant charges.

<b>Freedom Line</b> <b>Condensing Units for</b> <b>Reach-in Cases</b>
---

Application	RFL/RFLN/RFLNS					
	1Door	2 Door	3 Door	4 Door	5 Door	
<b>MULTI-POINT WIRING</b> (Standard for RFL,RFLN,RFLTM)						
<b>Circuit 1</b> (120V, 1 Phase) <b>Fans, Lights, Controller, Evaporator Pan, A/S Heaters Pump</b>						
Maximum Overcurrent Protection Device (MOPD)	<b>*See Case Data Sheet*</b>					
Minimum Circuit Ampacity (MCA):	<b>*See Case Data Sheet*</b>					
<b>Circuit 2</b> (208V, 1 Phase) <b>Condensing Unit and Defrost Heaters</b>						
Maximum Overcurrent Protection Device (MOPD)	15	15	15	30	30	
Minimum Circuit Ampacity (MCA)	6.0	9.5	10.6	18.8	18.8	
<b>OPTIONAL SINGLE POINT CIRCUIT</b> (208V, 1 Phase, 4 Wire)						
Maximum Overcurrent Protection Device (MOPD)	20	20	30	30	40	
Minimum Circuit Ampacity (MCA)						
	<b>RFL, RFLN</b>	13.1	17.8	20.5	29.7	30.9
	<b>RFLNS</b>	--	15.8	20.8	26.9	32.5
<b>Condensing Unit</b>						
Voltage/ 60Hz / 1 Phase	208/230	208/230	208/230	208/230	208/230	
RLA	4.3	6.1	7.4	13.9	13.9	
LRA	23	42.3	40.3	75	75	
R448A Charge (lbs)(Condensing unit only)	1.4	5.1	5.1	5.1	5.1	
Accumulator Capacity (lbs)	--	--	--	--	--	
Oil Recharge (oz)	10	19	19	19	19	
Heat of Rejection (Btu/hr)	1,830	1,987	3,057	3,997	4,997	
<b>Refrigerant Connections</b> (inches)						
Liquid Line	3/8	3/8	3/8	3/8	3/8	
Suction Line	5/8	5/8	5/8	5/8	5/8	
<b>Dimensions</b> (inches)						
Height	11.9	17.7	17.7	17.7	17.7	
Length	16.0	24.9	24.9	24.9	24.9	
Width	15.1	18.8	18.8	18.8	18.8	
<b>Shipping Weight</b> (lbs)	53	119	122	117	117	

Application	RFM/RFMN/RFMNS			
	2 Door	3 Door	4 Door	5 Door

**MULTI-POINT WIRING**

**Circuit 1 (120V, 1 Phase) Fans, Lights, Controller, Evaporator Pan, A/S Heaters Pump**

Maximum Overcurrent Protection Device (MOPD) \*See Case Data Sheet\*

Minimum Circuit Ampacity (MCA): \*See Case Data Sheet\*

**Circuit 2 (208V, 1 Phase) Condensing Unit**

Maximum Overcurrent Protection Device (MOPD) -- -- 15 15

Minimum Circuit Ampacity (MCA) -- -- 4.4 5.6

**SINGLE POINT CIRCUIT (Optional for 4 & 5 door)**

Maximum Overcurrent Protection Device (MOPD) 20 20 20 20

Minimum Circuit Ampacity (MCA) 13.0 14.8 10.4 11.6

**Condensing Unit**

Voltage/ 60Hz / 1 Phase	120	120	208/230	208/230
RLA	4.0	4.8	3.0	4.0
LRA	26.0	34.0	17.5	22.0
R448A Charge (lbs)(Condensing unit only)	0.7	0.7	0.7	0.7
Accumulator Capacity (lbs)	--	--	--	--
Oil Recharge (oz)	10	10	10	10
Heat of Rejection (Btu/hr)	1,987	3,057	3,997	4,997

**Refrigerant Connections (inches)**

Liquid Line	3/8	3/8	3/8	3/8
Suction Line	5/8	5/8	5/8	5/8

**Dimensions (inches)**

Height	10.5	10.5	11.7	11.7
Length	16.0	16.0	16.5	16.6
Width	14.3	14.3	13.1	13.1

**Shipping Weight (lbs)** 40 44 45 40

<b>Freedom Line</b> <b>Condensing Units for</b> <b>Reach-in Cases</b>
---

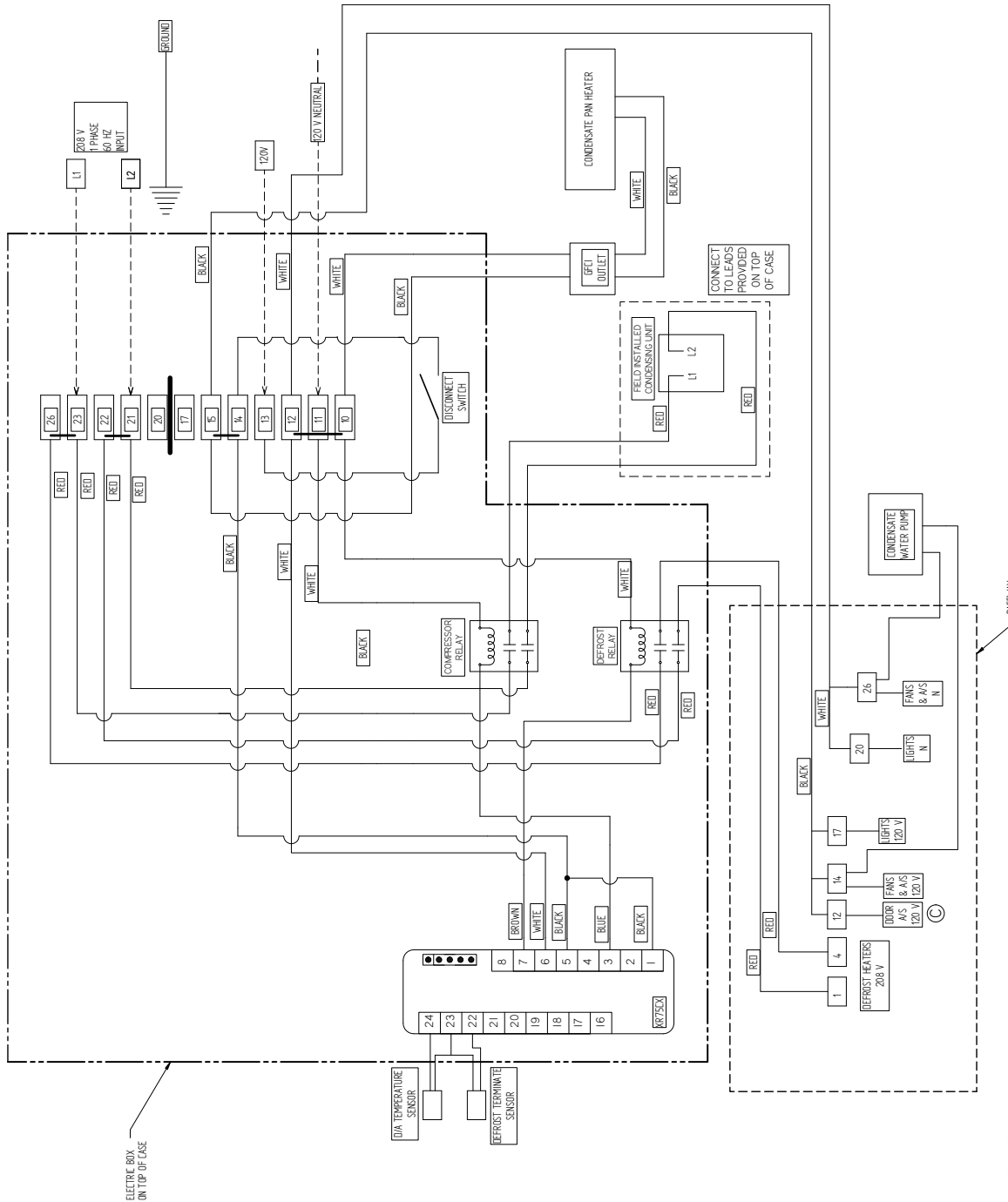
Application	RFLTM			
	2 Door	3 Door	4 Door	5 Door
<b>MULTI-POINT WIRING</b> (Standard for RFL,RFLN,RFLTM)				
<b>Circuit 1</b> (120V, 1 Phase) <b>Fans, Lights, Controller, Evaporator Pan, A/S Heaters Pump</b>				
Maximum Overcurrent Protection Device (MOPD)	*See Case Data Sheet*			
Minimum Circuit Ampacity (MCA):	*See Case Data Sheet*			
<b>Circuit 2</b> (208V, 1 Phase) <b>Condensing Unit and Defrost Heaters</b>				
Maximum Overcurrent Protection Device (MOPD)	15	15	30	30
Minimum Circuit Ampacity (MCA)	9.5	12.3	18.8	18.8
<b>OPTIONAL SINGLE POINT CIRCUIT</b> (208V, 1 Phase, 4 Wire)				
Maximum Overcurrent Protection Device (MOPD)	--	--	--	--
Minimum Circuit Ampacity (MCA)	--	--	--	--
<b>Condensing Unit</b>				
Voltage/ 60Hz / 1 Phase	208/230	208/230	208/230	208/230
RLA	6.1	8.7	13.9	13.9
LRA	42.3	55.0	75	75
R448A Charge (lbs)(Condensing unit only)	5.1	5.1	5.1	5.1
Accumulator Capacity (lbs)	--	--	--	--
Oil Recharge (oz)	19	19	19	19
Heat of Rejection (Btu/hr)	1,987	3,057	3,997	4,997
<b>Refrigerant Connections</b> (inches)				
Liquid Line	3/8	3/8	3/8	3/8
Suction Line	5/8	5/8	5/8	5/8
<b>Dimensions</b> (inches)				
Height	17.7	17.7	17.7	17.7
Length	24.9	24.9	24.9	24.9
Width	18.8	18.8	18.8	18.8
<b>Shipping Weight</b> (lbs)	119	118	117	117

RFLN,RFL 1 - 5 Door Multi - Point

3007294 C

Freedom Line

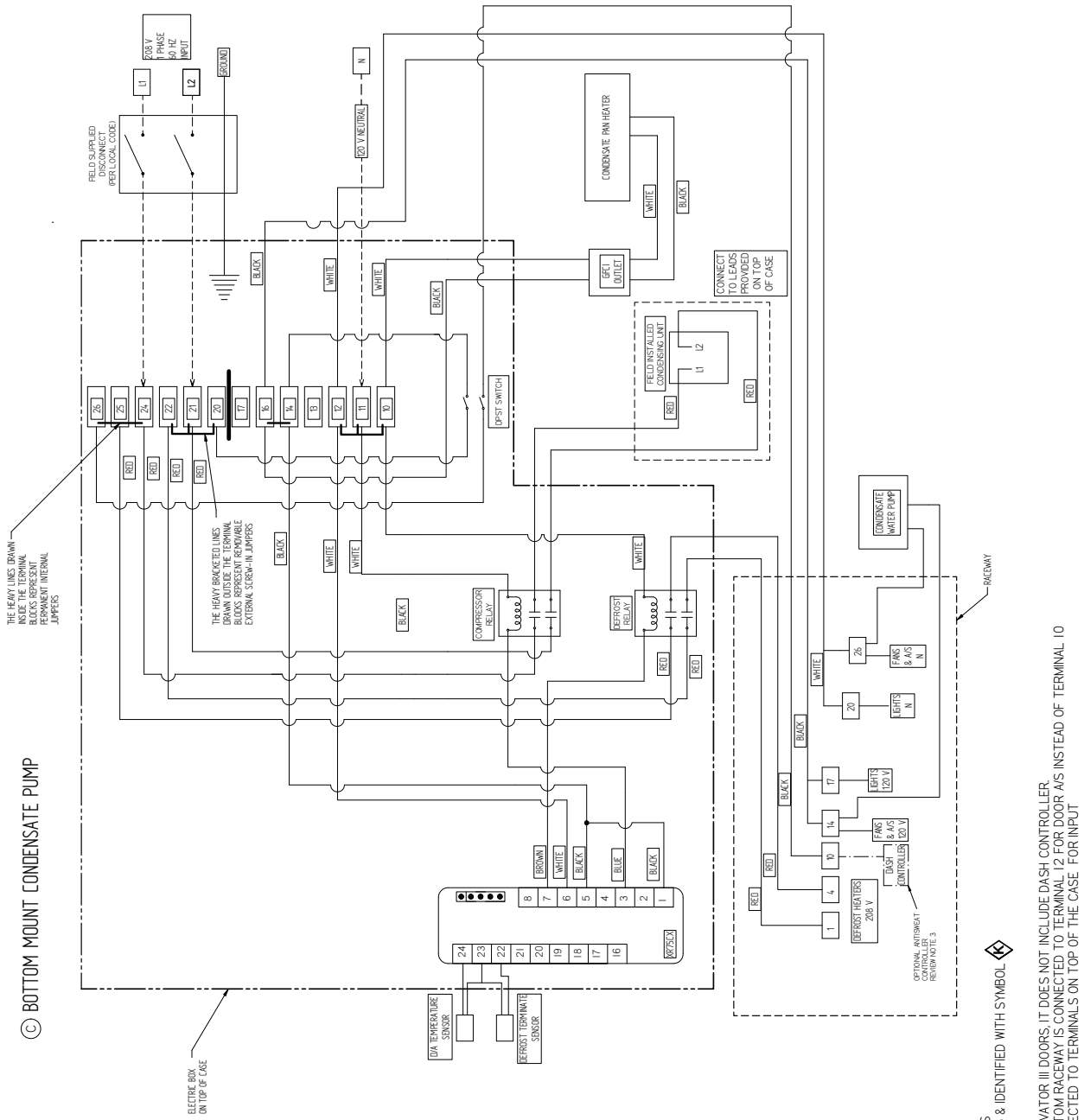
Condensing Units for  
Reach-in Cases




- NOTES:
1. APPLICABLE STANDARDS / SPECIFICATIONS  
ASME Y14.5M-1994, DIMENSIONS AND TOLERANCES
  2. KEY PRODUCT CHARACTERISTICS PER EPR-0006 & IDENTIFIED WITH SYMBOL
  3. IF CASE INCLUDES DASH CONTROL, REMOVE EXTERNAL JUMPER BETWEEN 21-22 AND CHANGE WIRE JUMPER BETWEEN 12-14 TO 10-14

# RFL,RFLN 1 - 5 Door Single Point (Bottom Mount Condensate Pump) 3055656 C

# Freedom Line Condensing Units for Reach-in Cases

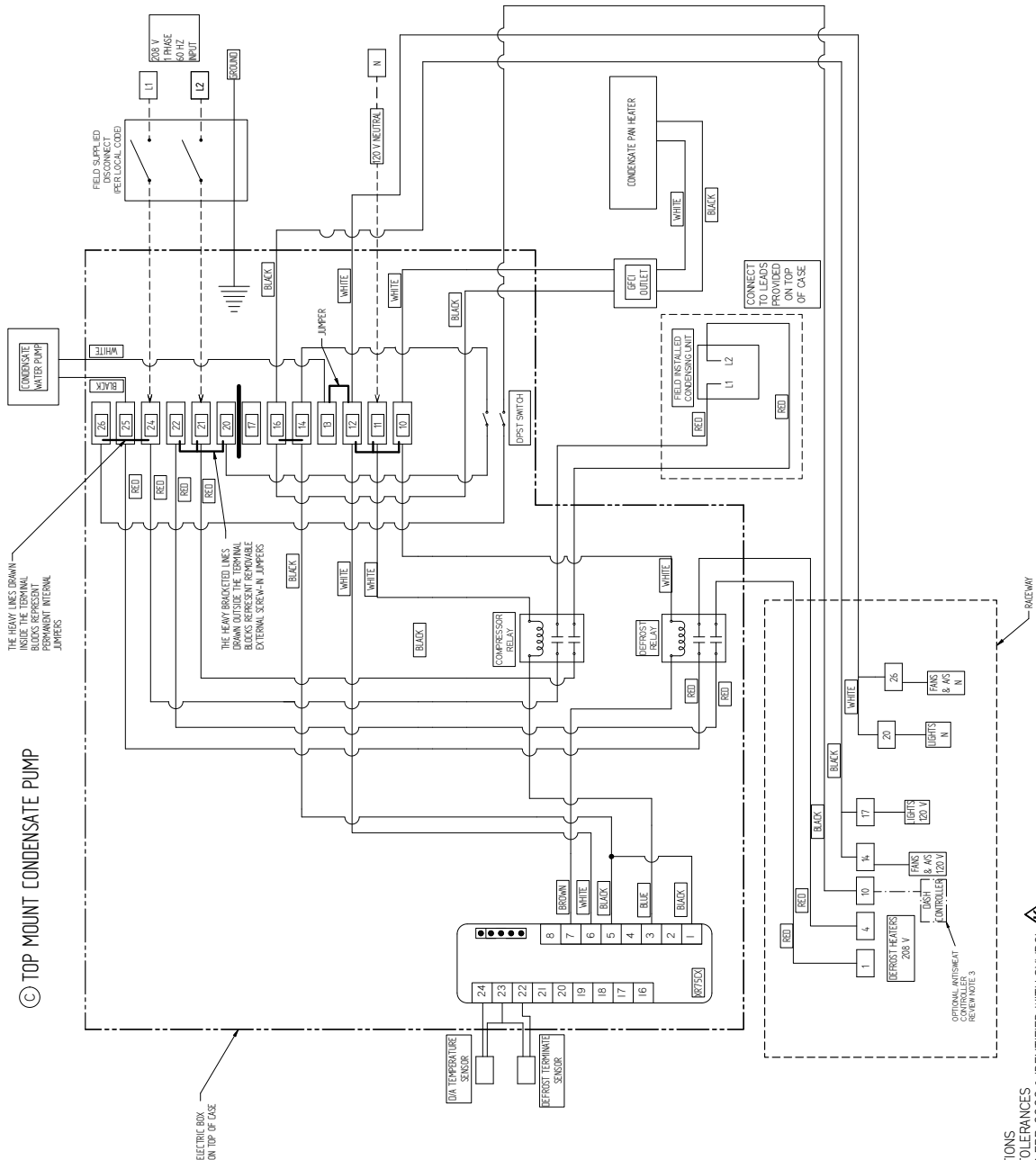


© BOTTOM MOUNT CONDENSATE PUMP

- NOTES
1. APPLICABLE STANDARDS / SPECIFICATIONS  
ASME Y14.5M-1994 DIMENSIONS AND TOLERANCES
  2. KEY PRODUCT CHARACTERISTICS PER EPR-0006 & IDENTIFIED WITH SYMBOL 
  3. MATERIAL - N/A
  4. REF -
  5. IF CASE IS EQUIPPED WITH INNOVATOR II OR INNOVATOR III DOORS, IT DOES NOT INCLUDE DASH CONTROLLER. TOP WIRE FROM THE DPST SWITCH GOING TO BOTTOM RACEWAY IS CONNECTED TO TERMINAL 12 FOR DOOR A'S INSTEAD OF TERMINAL 10
  6. TERMINALS 1, 4, 10, 14, 17, 20, AND 26 ARE CONNECTED TO TERMINALS ON TOP OF THE CASE FOR INPUT

**Freedom Line  
Condensing Units for  
Reach-in Cases**

**RFL,RFLN 1 - 5 Door Single Point  
(Top Mount Condensate Pump)  
3055656 C**



**© TOP MOUNT CONDENSATE PUMP**

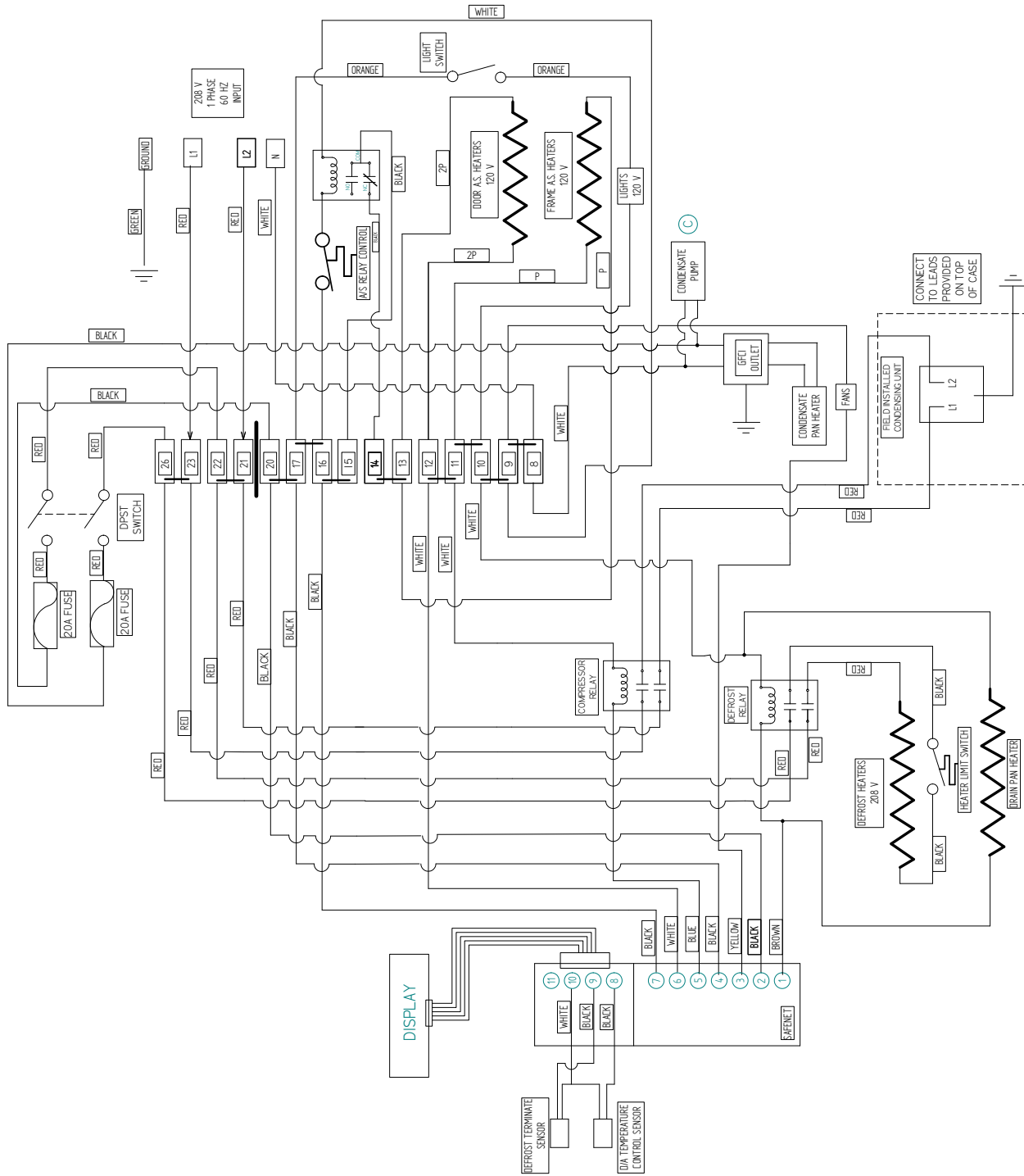
- NOTES**
1. APPLICABLE STANDARDS / SPECIFICATIONS  
ASME Y14.5M-1994 DIMENSIONS AND TOLERANCES
  2. KEY PRODUCT CHARACTERISTICS PER EPR-0006 & IDENTIFIED WITH SYMBOL
  3. MATERIAL- N/A
  4. REF-
  5. IF CASE IS EQUIPPED WITH INNOVATOR II OR INNOVATOR III DOORS, IT DOES NOT INCLUDE DASH CONTROLLER. TOP WIRE FROM THE DPDT SWITCH GOING TO BOTTOM RACEWAY IS CONNECTED TO TERMINAL 12 FOR DOOR A'S INSTEAD OF TERMINAL 10
  6. TERMINALS 1, 4, 10, 14, 17, 20, AND 26 ARE CONNECTED TO TERMINALS ON TOP OF THE CASE. FOR INPUT

# RFLNS 2 - 5 Door Single Point

0539476 C

# Freedom Line

Condensing Units for  
Reach-in Cases



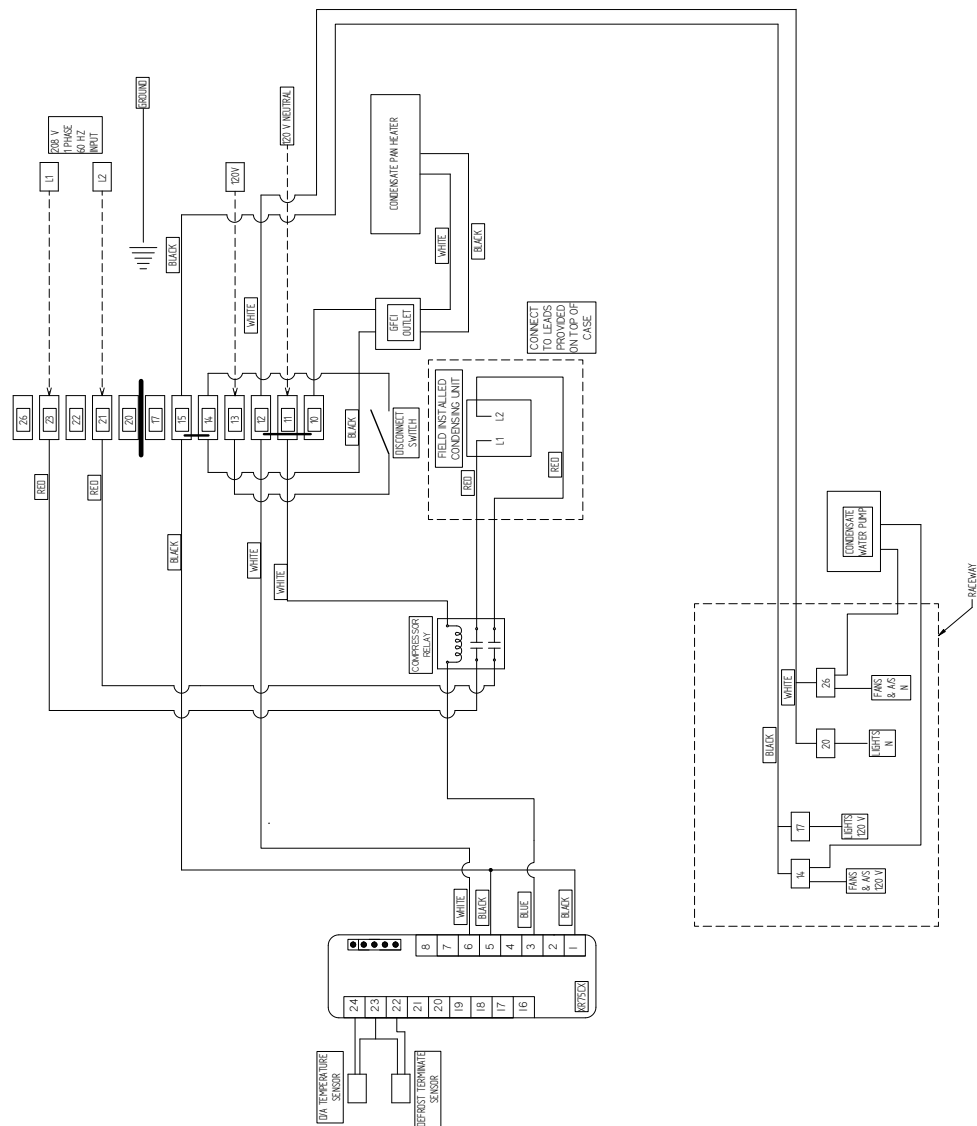
NOTES:  
1. APPLICABLE STANDARDS / SPECIFICATIONS  
ASME Y14.5M-1994, DIMENSIONS AND TOLERANCES



**Freedom Line  
Condensing Units for  
Reach-in Cases**

**RFM,RFMN 4 & 5 Door Multi Point**

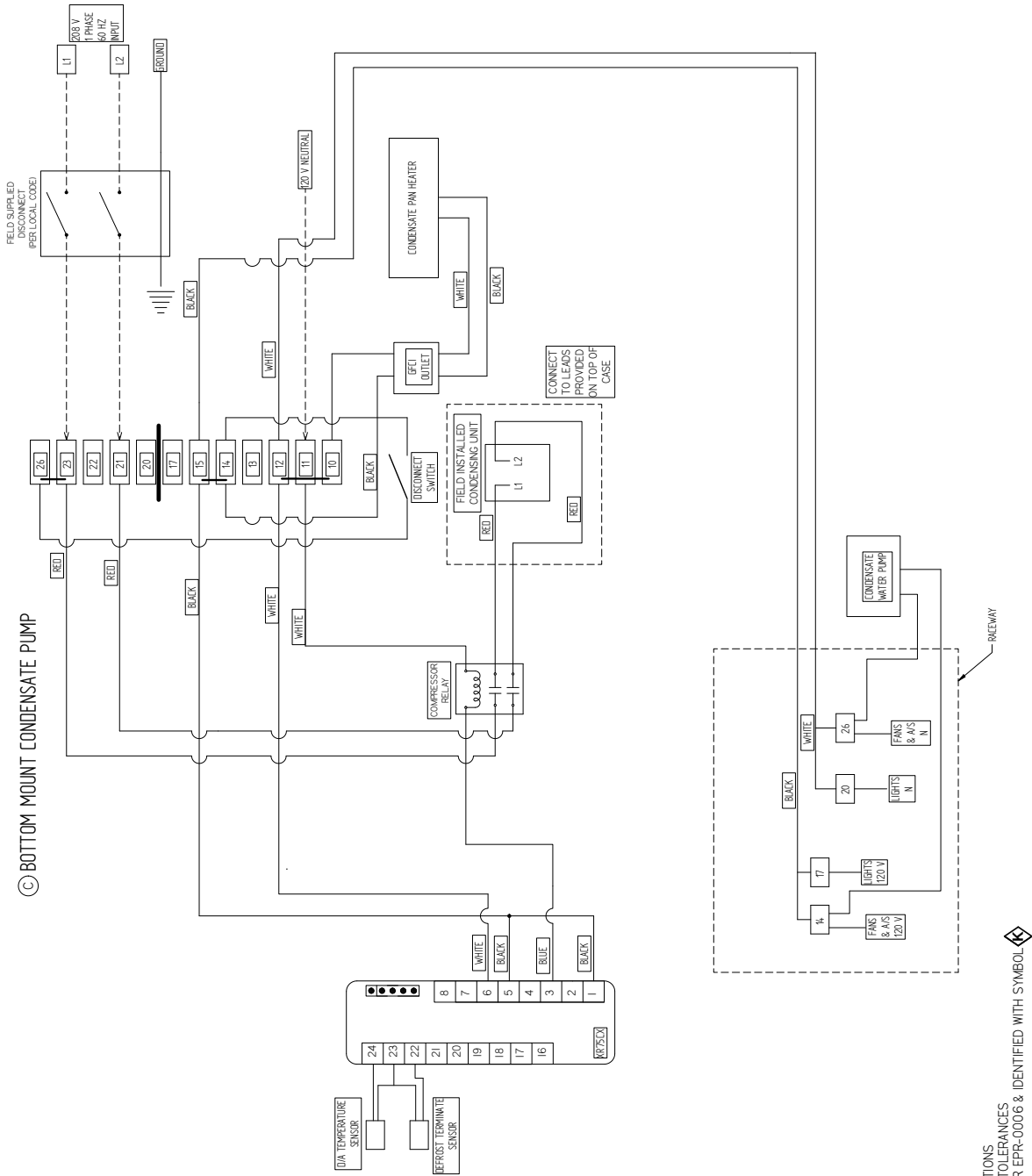
**3007296 B**



NOTES:  
1. APPLICABLE STANDARDS / SPECIFICATIONS  
ASME Y14.5M-1994; DIMENSIONS AND TOLERANCES  
2. KEY PRODUCT CHARACTERISTICS PER EPR-0006 & IDENTIFIED WITH SYMBOL

**Freedom Line  
Condensing Units for  
Reach-in Cases**

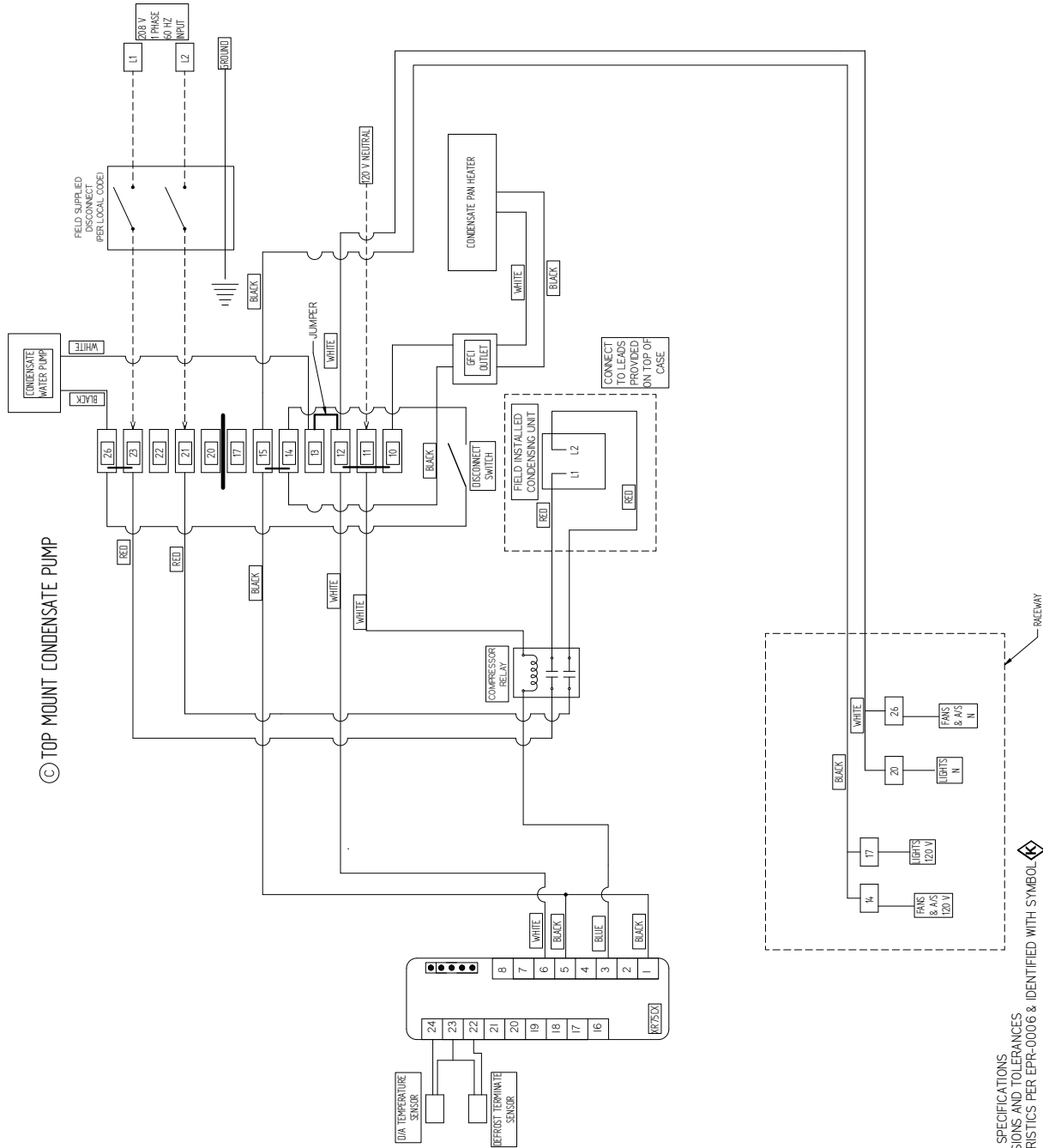
**RFM,RFMN 4 & 5 Door Single Point  
(Bottom Mount Condensate Pump)  
3056281 C**




© BOTTOM MOUNT CONDENSATE PUMP

**RFM,RFMN 4 & 5 Door Single Point  
(Top Mount Condensate Pump)  
3056281 C**

**Freedom Line  
Condensing Units for  
Reach-in Cases**

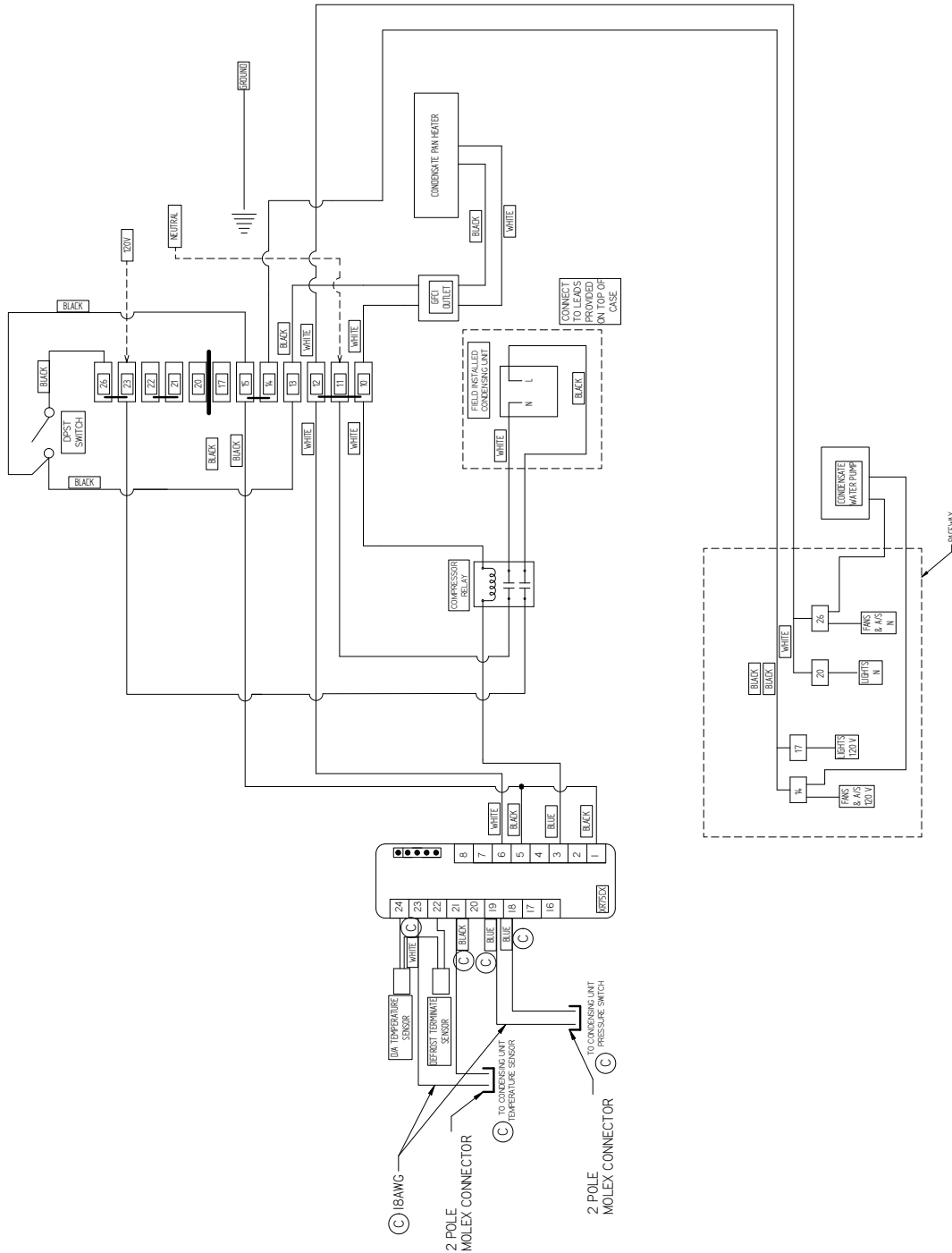


- NOTES:  
 1. APPLICABLE STANDARDS / SPECIFICATIONS  
 ASME Y14.5M-1994 DIMENSIONS AND TOLERANCES  
 2. KEY PRODUCT CHARACTERISTICS PER EPR-0006 & IDENTIFIED WITH SYMBOL   
 3. MATERIAL - N/A  
 4. REF NONE

**Freedom Line  
Condensing Units for  
Reach-in Cases**

**RFM,RFMN 2 Door Single Point**

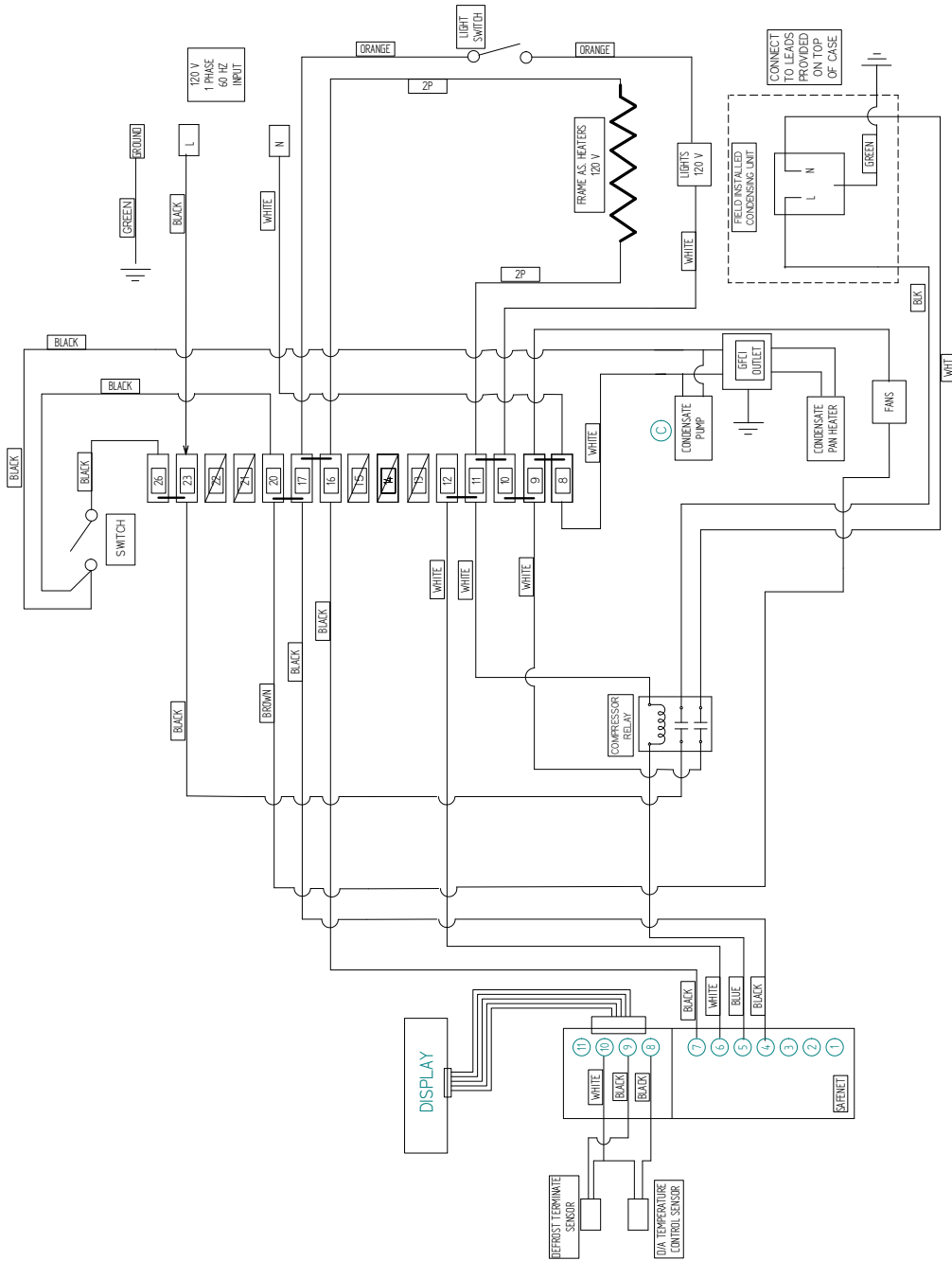
**3007295 C**



NOTES:  
1. APPLICABLE STANDARDS / SPECIFICATIONS  
ASME Y14.5M-1994, DIMENSIONS AND TOLERANCES  
2. KEY PRODUCT CHARACTERISTICS PER EPR-0006 & IDENTIFIED WITH SYMBOL

**RFMNS 2 & 3 Door Single Point**  
**0540418 C**

**Freedom Line**  
**Condensing Units for**  
**Reach-in Cases**



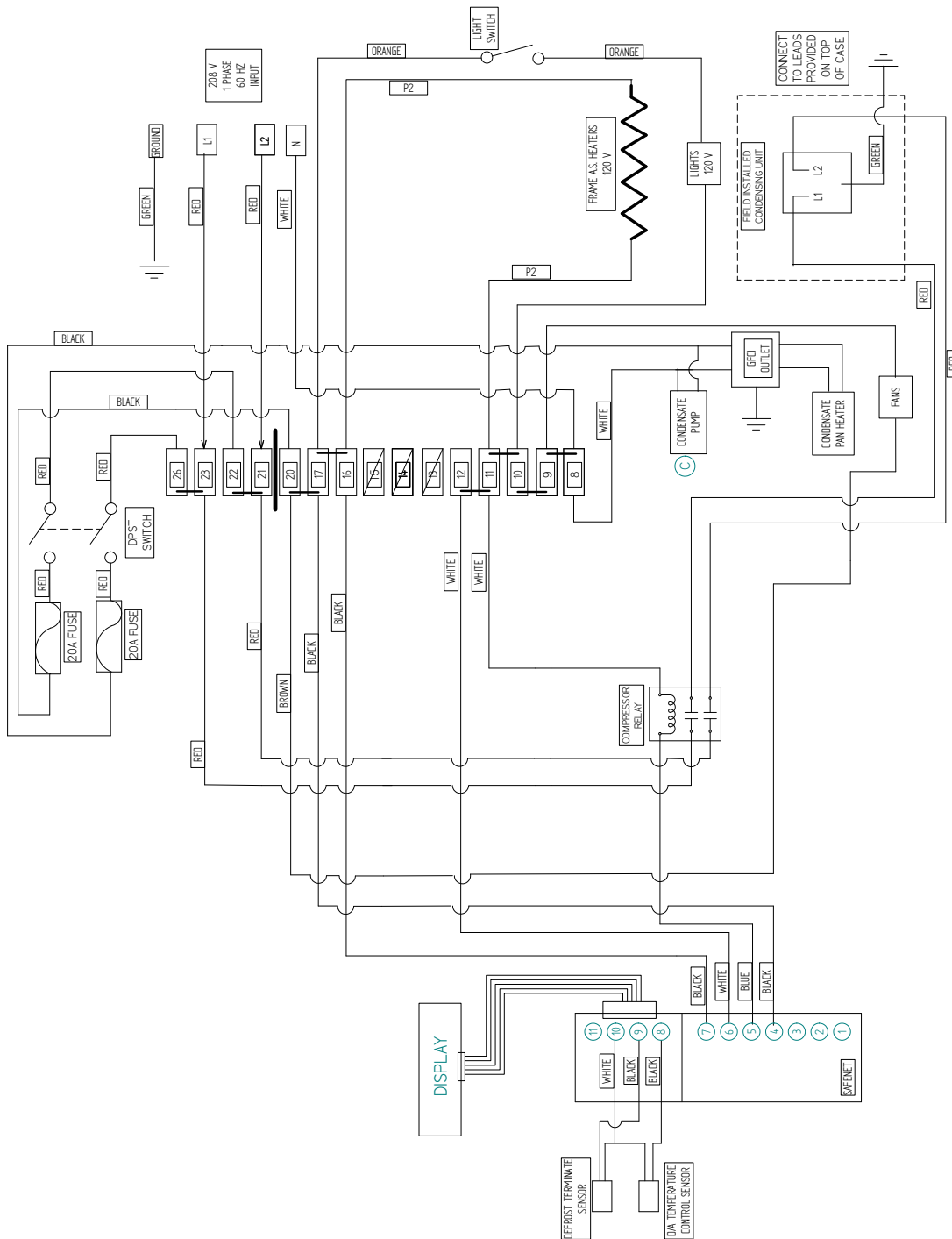
NOTES  
 1. APPLICABLE STANDARDS / SPECIFICATIONS  
 ASME Y14.5M-1994: DIMENSIONS AND TOLERANCES

# RFMNS 4 & 5 Door Single Point

0539477 C

# Freedom Line

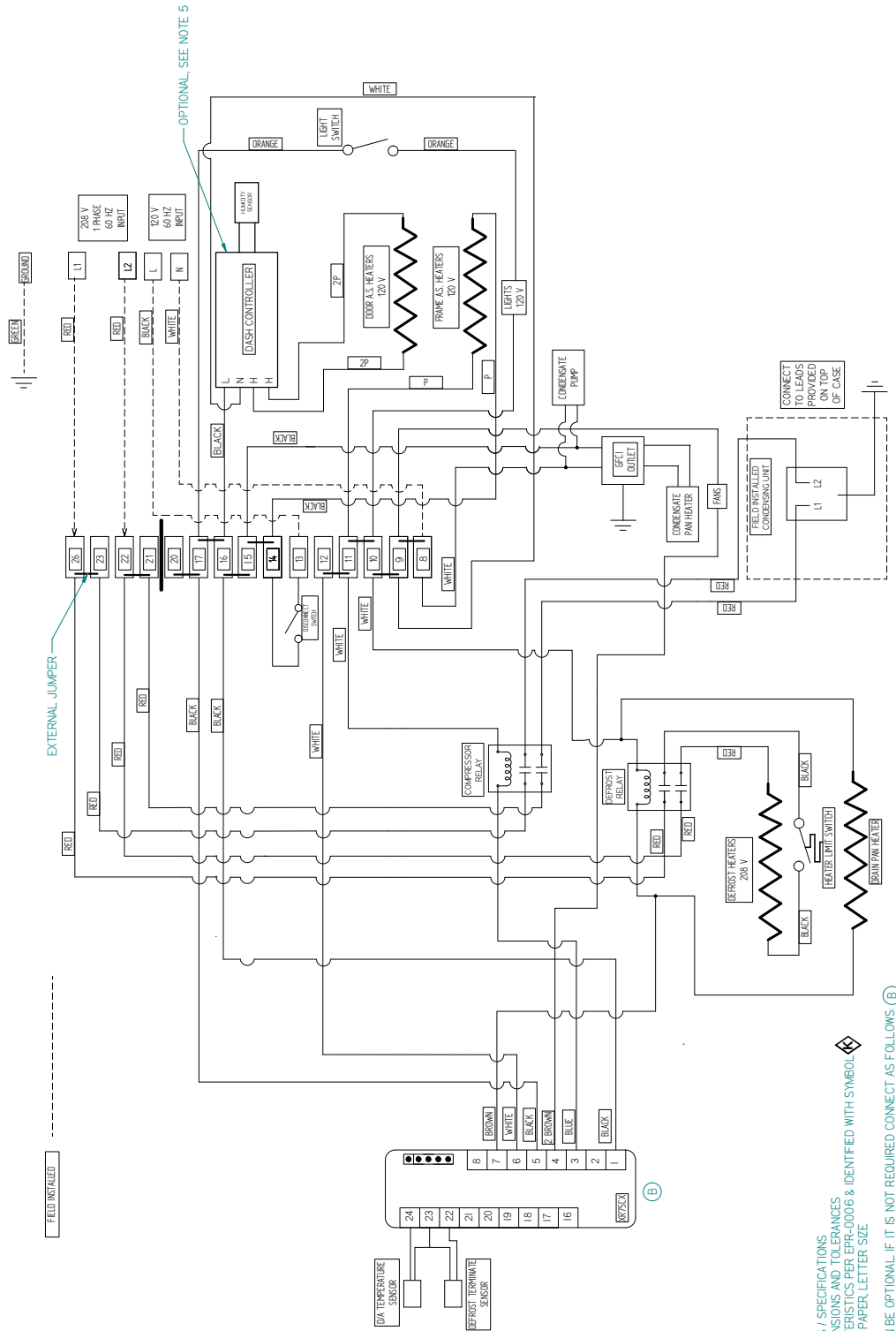
Condensing Units for Reach-in Cases



NOTES:  
 1. APPLICABLE STANDARDS / SPECIFICATIONS  
 ASME Y14.5M-1994, DIMENSIONS AND TOLERANCES

**RFLTM 2 - 5 Door Single Point**  
**3023601 B**

**Freedom Line**  
**Condensing Units for**  
**Reach-in Cases**



- NOTES:**
- 1. APPLICABLE STANDARDS / SPECIFICATIONS  
ASME Y14.5M-1994, DIMENSIONS AND TOLERANCES
  - 2. KEY PRODUCT CHARACTERISTICS PER EPR-0006 & IDENTIFIED WITH SYMBOL
  - 3. MATERIAL - WHITE BOND PAPER, LETTER SIZE
  - 4. REF 0539476
  - 5. DASH CONTROLLER CAN BE OPTIONAL IF IT IS NOT REQUIRED CONNECT AS FOLLOWS
  - DOOR LINE CONNECT TO TERMINAL BLOCK # 16
  - DOOR NEUTRAL CONNECT TO TERMINAL BLOCK # 9

<b>Freedom Line</b> <b>Condensing Units for</b> <b>Multi-Deck Cases</b>
---

<b>Case</b>	<b>Size</b>	<b>Kit</b>	<b>Copeland Number (ID)</b>
<b>RFL</b>	1 Door	TA52	M6EL-H056-IAV-028
	2 Door	TJ78	FFAL-010Z-CFV-072
	3 Door	TJ79	FFAL-013Z-CFV-072
	4 Door	TA45	FFAL-017Z-CFV-072
	5 Door	TA45	FFAL-017Z-CFV-072
<b>RFM</b>	2 Door	TA47	M6EM-0020-IAA-028
	3 Door	TA46	M6EM-0023-IAA-028
	4 Door	TA49	M6ZM-0025-IAV-078
	5 Door	TJ81	M6ZM-0038-IAV-078
<b>RFLTM</b>	2 Door	TA43	FFAL-010Z-CFV-072
	3 Door	TA51	FFAL-014Z-CFV-072
	4 Door	TJ80	FFAL-017Z-CFV-072
	5 Door	TJ80	FFAL-017Z-CFV-072
<b>RFLNS</b>	2 Door	TA43	FFAL-010Z-CFV-072
	3 Door	TA44	FFAL-013Z-CFV-072
	4 Door	TJ80	FFAL-013Z-CFV-072
	5 Door	TJ80	FFAL-017Z-CFV-072
<b>RFMNS</b>	2 Door	TA50	M6EM-0020-IAA-028
	3 Door	TA48	M6EM-0023-IAA-028
	4 Door	TJ77	M6ZM-0025-IAV-078
	5 Door	TJ82	M6ZM-0038-IAV-078