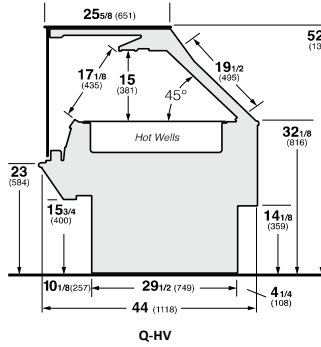
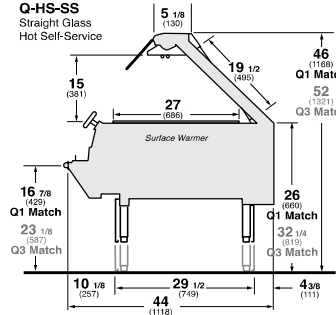
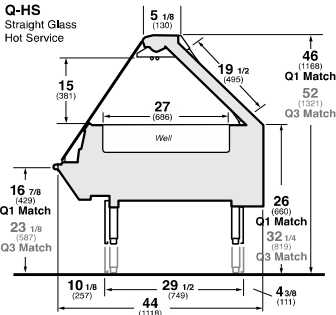
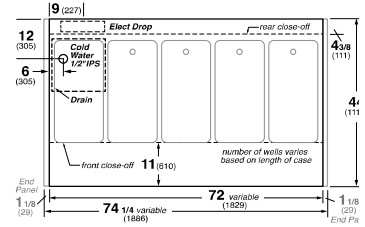
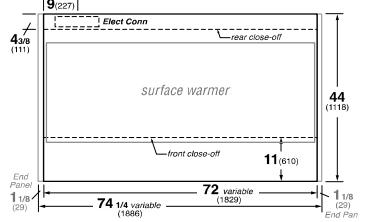


QHC, QHS Q-Series Hot Merchandisers

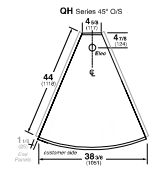
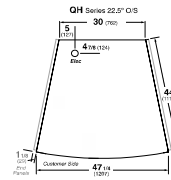


QH-SS Q-Series Hot Merchandisers



SERVICE CASE W/WELLS

SELF-SERVICE CASE W/SURFACE WARMERS



ELECTRICAL DATA:

SURFACE WARMER		VOLTS	PH	HZ	TOTAL WELLS	WATTS	AMPS	FANS / CASE	TOTAL FANS		WIRES **
								AMPS WATTS			
4'	HOT	240	1	60	NA	3048	12.7	2	0.28	24	4
5'	HOT	240	3	60	NA	4350	18.1	3	0.42	36	5
6'	HOT	240	3	60	NA	4359	18.2	3	0.42	36	5
8'	HOT	240	3	60	NA	5812	24.2	4	0.56	48	5
10'	HOT	240	3	60	NA	8700	36.2	6	0.84	72	5
12'	HOT	240	3	60	NA	8718	36.3	6	0.84	72	5
22.5° O/S	HOT	240	1	60	NA	2313	9.64	N/A	N/A	N/A	4
45° O/S	HOT	240	TBD	60	NA	TBD	TBD	TBD	TBD	TBD	TBD

CANOPY LIGHTS T-5		OPTIONAL LEDGE LIGHTS T-5		TOTAL LIGHTS T-5	
AMPS	WATTS	AMPS	WATTS	AMPS	WATTS
0.39	42	0.26	28	0.65	70
0.52	56	0.32	35	0.84	91
0.65	70	0.39	42	1.04	112
0.78	84	0.52	56	1.30	140
1.04	112	0.65	70	1.69	182
1.17	126	0.78	84	1.95	210
0.26	28	TBD	TBD	TBD	TBD
TBD	TBD	TBD	TBD	TBD	TBD

LEGEND		
N/A -	AVAILABLE	
TBD -	DETERMINED	
SBO -	SUPPLIED BY OTHERS	
EXTERNAL END PANEL WIDTH KEY		
# OF END PNLS	END PNL WIDTH (IN.)	TOTAL ADDED LENGTH (IN.)
1	1.125	1.125
2	1.125	2.25

HOT WELLS		VOLTS	PH	HZ	TOTAL WELLS	WATTS	AMPS	FANS / CASE	TOTAL FANS		WIRES **
								AMPS WATTS			
4'	HOT	240	3	60	3	3600	15.0	2	0.28	24	5
5'	HOT	240	3	60	4	4800	20.0	3	0.42	36	5
6'	HOT	240	3	60	5	6000	25.0	3	0.42	36	5
8'	HOT	240	3	60	6	7200	30.0	4	0.56	48	5
10'	HOT	240	3	60	8	9600	40.0	6	0.84	72	5
12'	HOT	240	3	60	9	10800	45.0	6	0.84	72	5

CANOPY LIGHTS T-5		OPTIONAL LEDGE LIGHTS T-5		TOTAL LIGHTS T-5	
AMPS	WATTS	AMPS	WATTS	AMPS	WATTS
0.39	42	0.26	28	0.65	70
0.52	56	0.32	35	0.84	91
0.65	70	0.39	42	1.04	112
0.78	84	0.52	56	1.30	140
1.04	112	0.65	70	1.69	182
1.17	126	0.78	84	1.95	210

COMBINATION WARMERS / WELLS		VOLTS	PH	HZ	TOTAL WELLS	WATTS	AMPS	FANS / CASE	TOTAL FANS		WIRES **
								AMPS WATTS			
8'	HOT	240	3	60	TBD	TBD	TBD	4	0.56	48	5
10'	HOT	240	3	60	TBD	TBD	TBD	6	0.84	72	5
12'	HOT	240	3	60	TBD	TBD	TBD	6	0.84	72	5

CANOPY LIGHTS		OPTIONAL LEDGE LIGHTS		TOTAL LIGHTS	
AMPS	WATTS	AMPS	WATTS	AMPS	WATTS
0.78	84	0.52	56	1.30	140
1.04	112	0.65	70	1.69	182
1.17	126	0.78	84	1.95	210

** INCLUDES GROUND WIRE

OPTIONS/NOTES:

- NOTE: CASES MUST BE GROUNDED
- NOTE: LED LIGHTS ARE NOT AVAILABLE ON HOT CASES AT THIS TIME.