



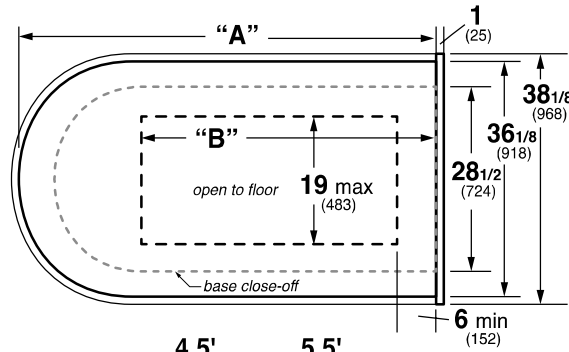
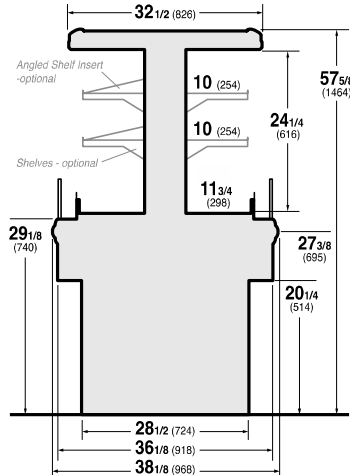
SELF-SERVICE DELI
HUSSMANN - TY3EC-3 E-END SELF-CONTAINED (CHINO)

REVISION DATE

11/27/18



Hussmann refrigerated merchandisers configured for sale for use in the United States meet or surpass the requirements of the DOE 2017 energy efficiency standards.



	4.5'	5.5'
"A"	54 1/2 (1384)	66 1/2 (1689)
"B"	34 (864) max	46 (1168) max

REFRIGERATION DATA:

CASE LENGTHS	CASE USAGE	CONVENTIONAL CAPACITY *** (BTU/HR/FT)	AVERAGE DISCHARGE AIR** (°F) (SEE SETPOINTS BELOW)	VELOCITY (FT/MIN)
4.5E, 5.5E	DELI	1750	28~32	125~175

CASE LENGTHS	EST. REFG. CHRGE. (LBS) R404A
4.5E	1.5
5.5E	2.0

**FRONT DISCHARGE AIR MEASURED INSIDE AIR CURTAIN HONEYCOMB

***REFRIGERATION NOTES:

- 1) CAPACITY FOR REFERENCE ONLY
- 2) RATING CONDITION IS NSF TYPE I, 75°F/55%

REFRIGERATION DATA CONTINUED:

ELEC. THERMOSTAT / AIR SENSOR SETTINGS			DEFROST TYPE	TIME (MIN)	DEFROST FREQUENCY (#/DAY)	TERM. TEMP (°F) COIL ONLY	DRIP TIME	DEFROST WATER (LBS/DAY/FT)
USAGE	SET POINT (°F)	DIFFERENTIAL (°F)						
DELI	23	10	OFF TIME	40	6	48	N/A	3.8

END PANEL WIDTH KEY		
# OF END PNLs	END PNL WIDTH (IN.)	TOTAL ADDED LENGTH (IN.)
1	1.125	1.125
2	1.125	2.25

4) DEFROST FOR IS BASED ON TERMINATION TEMP, WHICH UNDER NORMAL CIRCUMSTANCES, IS SHORTER THAN FAILSAFE TIME.

ELECTRICAL DATA:

STANDARD FANS, HEATERS, LED LIGHTS (115 VOLT)

CASE LENGTH	EVAPORATOR FANS					CANOPY LIGHTS LED		OPTIONAL LED SHELF LIGHTS		MAX. LED LOAD (W/ ALL OPTIONS)		ANTI-SWEAT HEATERS		CONVENIENCE OUTLETS (OPTIONAL)		
	# OF EVAP FANS	BLADE DIA. (IN.)	BLADE PITCH (°)	AMPS	WATTS	AMPS	WATTS	AMPS	WATTS	AMPS	WATTS	AMPS	WATTS	# OUTLETS	VOLTS	AMPS
4.5E	4	8	10	1.2	32	0.2	22	0.3	35	0.5	58	0.4	50	1	115	15
5.5E	6	8	10	1.8	48	0.2	28	0.4	46	0.6	73	0.4	50	1	115	15

CONDENSING UNIT AND EVAPORATIVE PANS

CASE LENGTH	CONDENSING UNIT					EVAPORATIVE PAN			NEMA PLUG
	NOM. HP	REFRIG.	Hz/Ph	Volts	RLA	VOLTS	AMPS	WATTS	
4.5E	1-3/4	R-404A	60 / 1	208	12.6	240	6.3	1500	L14-30P
5.5E	1-3/4	R-404A	60 / 1	208	12.6	208	7.2	1500	L14-30P

OPTIONAL HIGH OUTPUT LED LIGHTS (115 VOLT)

CASE LENGTH	CANOPY LIGHTS H.O. LED		OPTIONAL SHELF		MAX. H.O. LED LOAD	
	AMPS	WATTS	AMPS	WATTS	AMPS	WATTS
4.5E	N/A	N/A	N/A	N/A	N/A	N/A
5.5E	N/A	N/A	N/A	N/A	N/A	N/A