

EcoShine II Vertical LED Lights

FOR MULTI-DECK CASES WITH GLASS DOORS

Maximum lighting effectiveness in retail food displays.



Advanced merchandising with lower energy cost.



EcoShine II Vertical LED Lights

FOR MULTI-DECK CASES WITH GLASS DOORS

Create spectacular dairy displays with bright, vibrant colors that attract shoppers.



Bright. Colorful. Appealing.

- Bright, even light distribution makes every product facing look colorful and attractive
- Light source is “invisible” to shoppers with ultra-slim integrated fixture
- Up to 69% energy savings compared to fluorescents
- Excellent efficiency and reliability in cold environments
- Extreme reliability: 5-7 year life expectancy; 5 year limited parts and labor warranty*

Optimized lighting.

- EcoShine II is now optimized for the vertical mullions in EcoVision dairy/deli glass doors and other competitive multi-deck glass doors
- Designed specifically for EcoVision glass doors for optimal lighting
- Mullion LEDs available in 36”, 48”, 60”, and 68” lengths
- Canopy LEDs are available in one row to complement mullion lighting for optimum brightness and uniformity
- Warm white, warm neutral, neutral white, and cool white options available to create excellent color vibrancy in packaged products
- Certification: UL, CSA, NSF, CE, and DLC qualified



* See Hussmann warranty policy for additional details.

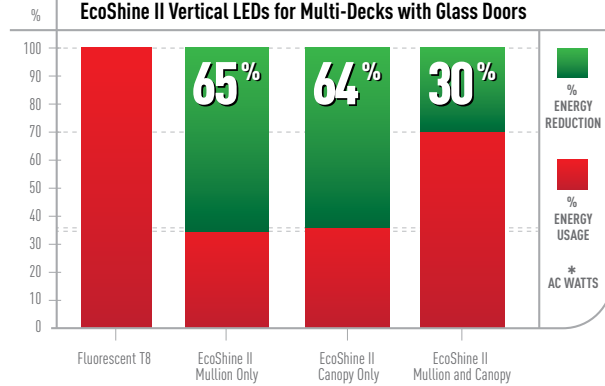


Lower energy cost.

Up to 69% energy savings when compared to fluorescent lighting.

Energy Savings* -

EcoShine II Vertical LEDs for Multi-Decks with Glass Doors



Uniform brightness.

Uniform lighting with EcoShine II eliminates dark areas seen with competitive LEDs.

Uniform Brightness with EcoShine II Vertical LEDs



Competitor A

Competitor B



Dark spots are present with competitor systems.

No visible light source.

Discreet and ultra-slim, EcoShine II is "invisible" to shoppers. Slim profile disappears behind mullion.



Competitor A
Light source clearly visible.

Competitor B
Light bar extends into display space.

Revolutionizing the effectiveness of retail food lighting.

HUSSMANN®

EcoShine II Vertical LED Lights

THE PERFECT COMPLIMENT TO YOUR ECOVISION GLASS DOORS FOR DAIRY/DELI

Take advantage of tremendous energy savings and superb lighting with EcoVision glass doors and EcoShine II Vertical LED lights.

Options that work.

To get the most from your EcoVision glass doors, select the lighting option that best addresses your strategy.

Objective:

ULTIMATE BRIGHTNESS for stunning visual appeal

Solution: EcoShine II mullion with one-row canopy

Objective:

LOW ENERGY COST

Solution: EcoShine II mullion only (excellent balance)





THE DIFFERENCE
IS IN THE PERFORMANCE

For lighting upgrades or new equipment.

- EcoShine II Vertical LEDs are designed for fast, easy installation when upgrading the lighting in existing cases.
- Complete end-to-end upgrade process available with energy audit, light selection, fast installation, and rebate identification and processing.
- EcoShine II Vertical LEDs for multi-deck doors are available for all Hussmann Insight, Excel and Impact dairy cases with EcoVision glass doors and for other multi-decks with doors.
- EcoShine II Vertical mullion lights alone can be used to eliminate shelf, rail, and canopy lights.

Specifications

ECOSHINE II VERTICAL LED LIGHTS
FOR MULTI-DECKS WITH GLASS DOORS

SPECIFICATIONS - ECOSHINE II VERTICAL LEDs for MULTI-DECKS WITH GLASS DOORS

EcoShine II Vertical LEDs for Multi-Decks with Glass Doors

Factory, Replacement, and Upgrade Parts

	Hussmann Part Number	Description			Energy Watts (DC) Per Fixture	Energy Watts (AC) Per Fixture	CRI Rating (typical)	Length (inches)	Efficacy (Lumens/Watts) Nominal
WARM	3022456	LED-Mullion LH	33.4	3000K C	9	10.5	85	33.4	88
	3022472	LED-Mullion CTR	33.4	3000K C	12	14.0	85	33.4	98
	3022489	LED-Mullion RH	33.4	3000K C	9	10.5	85	33.4	88
	3022460	LED-Mullion LH	46.7	3000K C	12	14.0	85	46.7	88
	3022477	LED-Mullion CTR	46.7	3000K C	18	20.9	85	46.7	98
	3022493	LED-Mullion RH	46.7	3000K C	12	14.0	85	46.7	88
	3022464	LED-Mullion LH	58.6	3000K C	15	17.4	85	58.6	88
	3022481	LED-Mullion CTR	58.6	3000K C	24	27.9	85	58.6	98
	3022497	LED-Mullion RH	58.6	3000K C	15	17.4	85	58.6	88
	3022468	LED-Mullion LH	65.7	3000K C	18	20.9	85	65.7	88
	3022485	LED-Mullion CTR	65.7	3000K C	27	31.4	85	65.7	98
3022501	LED-Mullion RH	65.7	3000K C	18	20.9	85	65.7	88	
WARM NEUTRAL	3022457	LED-Mullion LH	33.4	3500K C	9	10.5	85	33.4	91
	3022474	LED-Mullion CTR	33.4	3500K C	12	14.0	85	33.4	101
	3022490	LED-Mullion RH	33.4	3500K C	9	10.5	85	33.4	91
	3022461	LED-Mullion LH	46.7	3500K C	12	14.0	85	46.7	91
	3022478	LED-Mullion CTR	46.7	3500K C	18	20.9	85	46.7	101
	3022494	LED-Mullion RH	46.7	3500K C	12	14.0	85	46.7	91
	3022465	LED-Mullion LH	58.6	3500K C	15	17.4	85	58.6	91
	3022482	LED-Mullion CTR	58.6	3500K C	24	27.9	85	58.6	101
	3022498	LED-Mullion RH	58.6	3500K C	15	17.4	85	58.6	91
	3022469	LED-Mullion LH	65.7	3500K C	18	20.9	85	65.7	91
	3022486	LED-Mullion CTR	65.7	3500K C	27	31.4	85	65.7	101
	3022502	LED-Mullion RH	65.7	3500K C	18	20.9	85	65.7	91
NEUTRAL WHITE	3022458	LED-Mullion LH	33.4	4000K C	9	10.5	85	33.4	95
	3022475	LED-Mullion CTR	33.4	4000K C	12	14.0	85	33.4	104
	3022491	LED-Mullion RH	33.4	4000K C	9	10.5	85	33.4	95
	3010528	LED-Mullion LH	46.7	4000K C	12	14.0	85	46.7	95
	3010529	LED-Mullion RH	46.7	4000K C	12	14.0	85	46.7	104
	3010530	LED-Mullion CTR	46.7	4000K C	18	20.9	85	46.7	95
	3022466	LED-Mullion LH	58.6	4000K C	15	17.4	85	58.6	95
	3022483	LED-Mullion CTR	58.6	4000K C	24	27.9	85	58.6	104
	3022499	LED-Mullion RH	58.6	4000K C	15	17.4	85	58.6	95
	3022470	LED-Mullion LH	65.7	4000K C	18	20.9	85	65.7	95
	3022487	LED-Mullion CTR	65.7	4000K C	27	31.4	85	65.7	104
	3022503	LED-Mullion RH	65.7	4000K C	18	20.9	85	65.7	95
COOL WHITE	3022459	LED-Mullion LH	33.4	5000K C	9	10.5	85	33.4	98
	3022476	LED-Mullion CTR	33.4	5000K C	12	14.0	85	33.4	108
	3022492	LED-Mullion RH	33.4	5000K C	9	10.5	85	33.4	98
	3022463	LED-Mullion LH	46.7	5000K C	12	14.0	85	46.7	98
	3022480	LED-Mullion CTR	46.7	5000K C	18	20.9	85	46.7	108
	3022496	LED-Mullion RH	46.7	5000K C	12	14.0	85	46.7	98
	3022467	LED-Mullion LH	58.6	5000K C	15	17.4	85	58.6	98
	3022484	LED-Mullion CTR	58.6	5000K C	24	27.9	85	58.6	108
	3022500	LED-Mullion RH	58.6	5000K C	15	17.4	85	58.6	98
	3022471	LED-Mullion LH	65.7	5000K C	18	20.9	85	65.7	98
	3022488	LED-Mullion CTR	65.7	5000K C	27	31.4	85	65.7	108
	3022504	LED-Mullion RH	65.7	5000K C	18	20.9	85	65.7	98

Specifications subject to change without notice. For additional resources, contact your representative or visit www.hussmann.com.

SPECIFICATIONS - ECOSHINE II VERTICAL LEDs for MULTI-DECKS WITH GLASS DOORS

EcoShine II Vertical LED Notes

WARRANTY: All lights are covered by a 5 year limited parts and labor warranty.

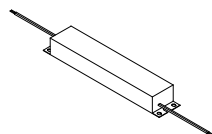
See Hussmann warranty policy for additional details. These parts include a 12 in connector for replacement installation.

COLOR TEMPERATURE: Color temperature is measured in kelvins (K). The EcoShine II Vertical Cool White (5000K) has a cooler hue than the EcoShine II Neutral White (4000K), Warm Neutral (3500K), or Warm (3000K).

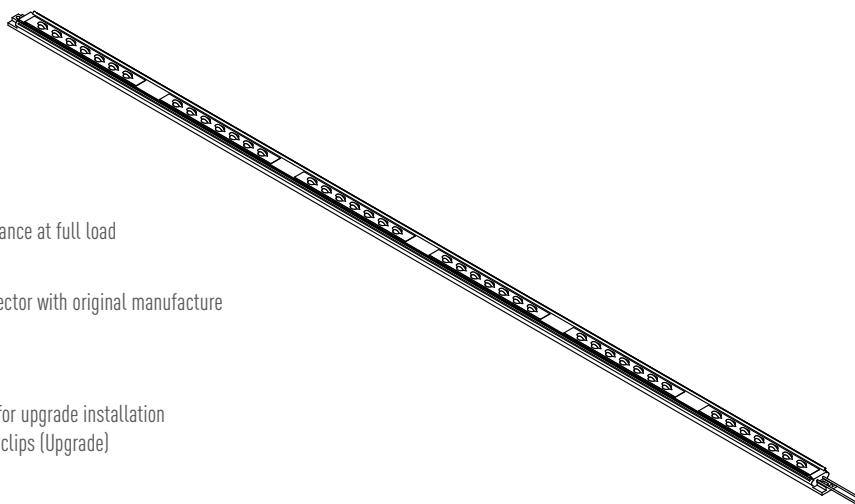
Electrical Data

Interface Data

Cable Type:	2 core standard
Conductor Size:	22 AWG Maximum wiring distance at full load is 7 ft
Cable Exit /Connector:	Standard quick connector with original manufacture parts (OEM) OR 35" open lead cable for upgrade installation and 2 hole mounting clips (Upgrade)
Power Supply:	24VDC Class 2 100W One power supply is used for each five-door merchandiser



Wire Harnesses:	2 Plug Part Number: 0503376 4 Plug Part Number: 0503377
-----------------	--



Electrical - Typical Values

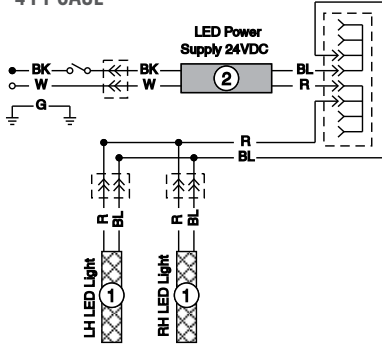
EV Mullion LED (No Canopy)	DC Watts			
	4 ft	6 ft	8 ft	12 ft
36" EcoShine II Vertical EV Mullion LED	18.0	30.0	30.0	42.0
48" EcoShine II Vertical EV Mullion LED	24.0	42.0	42.0	60.0
60" EcoShine II Vertical EV Mullion LED	30.0	54.0	54.0	78.0
68" EcoShine II Vertical EV Mullion LED	36.0	63.0	63.0	90.0

SPECIFICATIONS - ECOSHINE II VERTICAL LEDs for MULTI-DECKS WITH GLASS DOORS

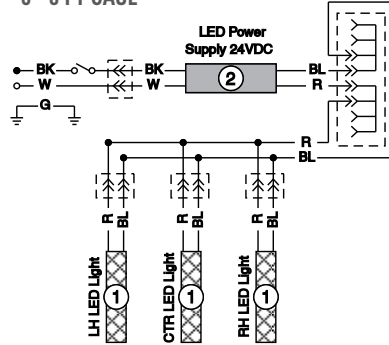
Wiring Diagram

LED Mullion Lighting

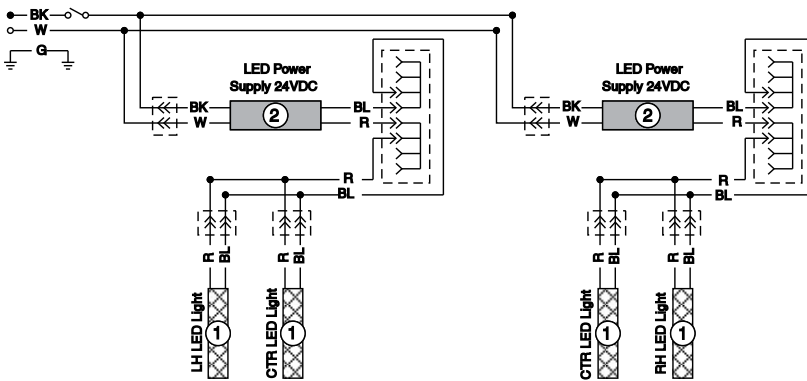
4 FT CASE



6 - 8 FT CASE



12 FT CASE



Environmental - Ecoshine II Vertical Mullion Lights

Certification:



Ambient Temperature:

-68°F (-20°C) to +77°F (+25°C)

Internal / External:

For indoor use only

Disposal:

Recycle

WARNING: All components must have mechanical ground, and the merchandiser must be grounded.

NOTE:

This product is not for use in wet or damp applications.

CIRCLED NUMBERS:

① = LED Fixture ② = Power Supply

COLOR CODES:

R = Red Y = Yellow
G = Green BL = Blue
BK = Black W = White

SYMBOLS:

● = 120V Power ○ = 120V Neutral
⊥ = Field Ground ≡ = Case Ground

Specifications subject to change without notice.

For additional resources, contact your representative or visit www.husmann.com.

HUSSMANN®

Husmann Corporation

12999 St. Charles Rock Rd.
Bridgeton, MO 63044-2483
Ph: 314.291.2000

www.husmann.com