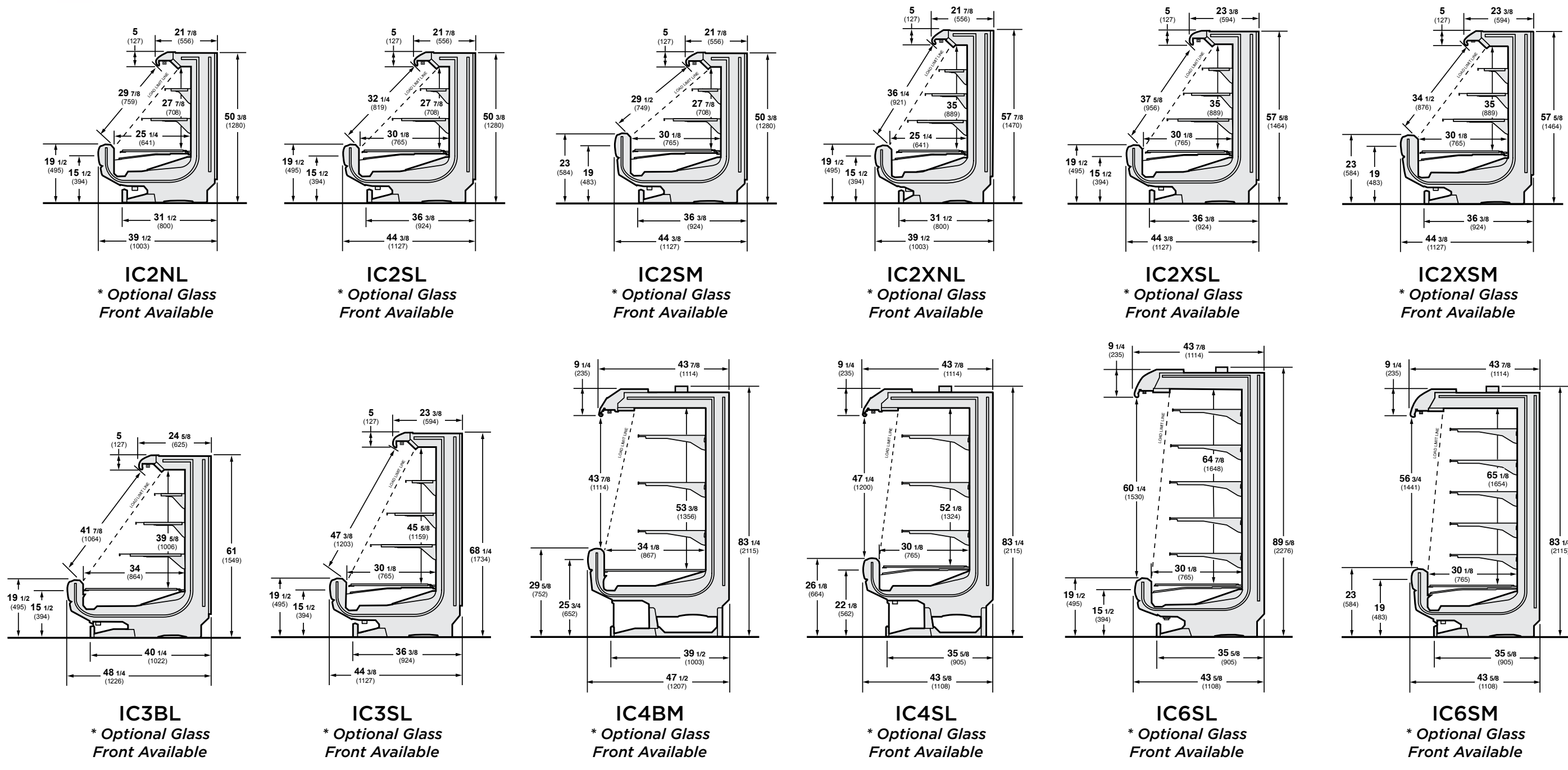
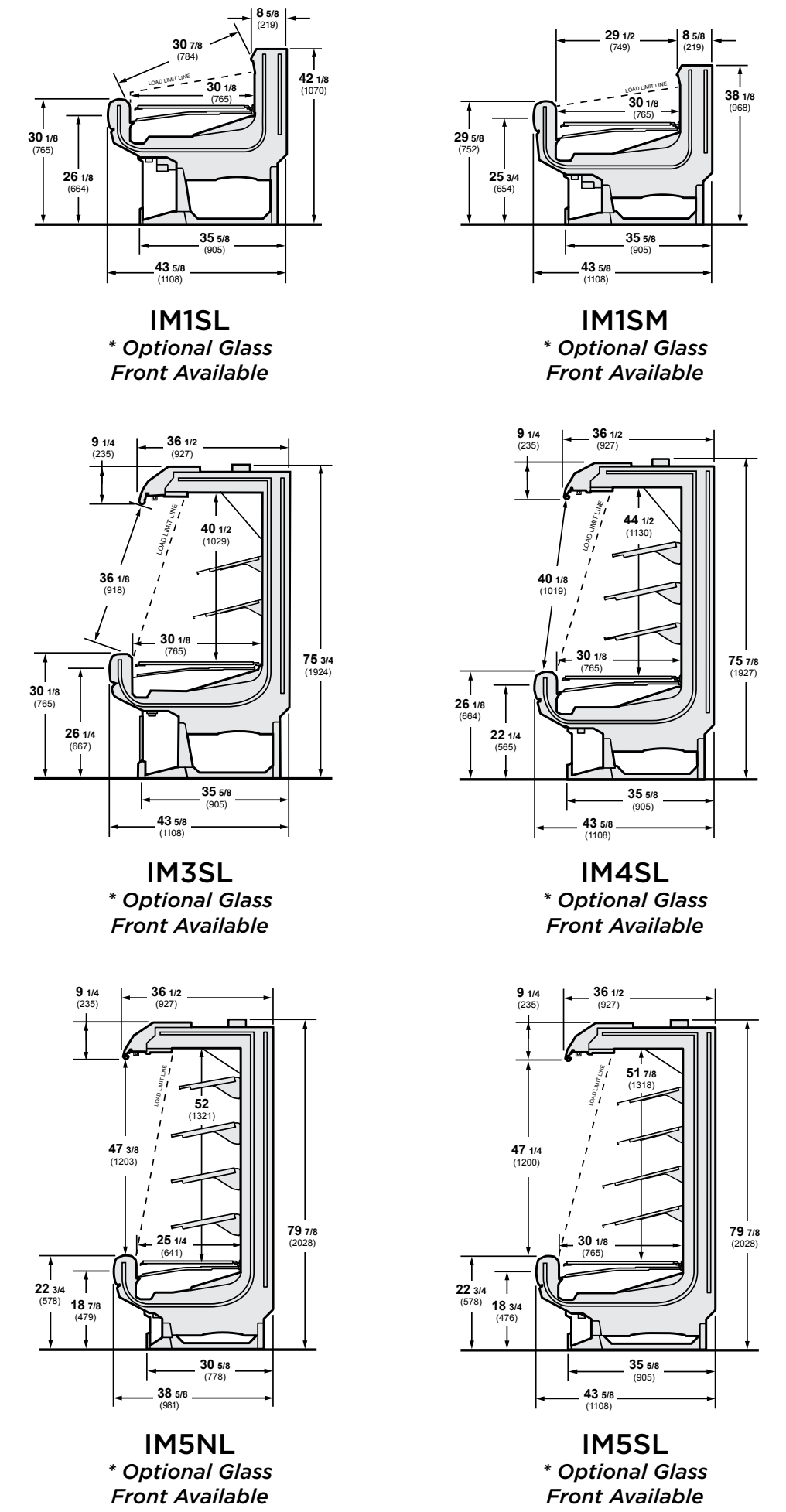




Convertible Merchandisers



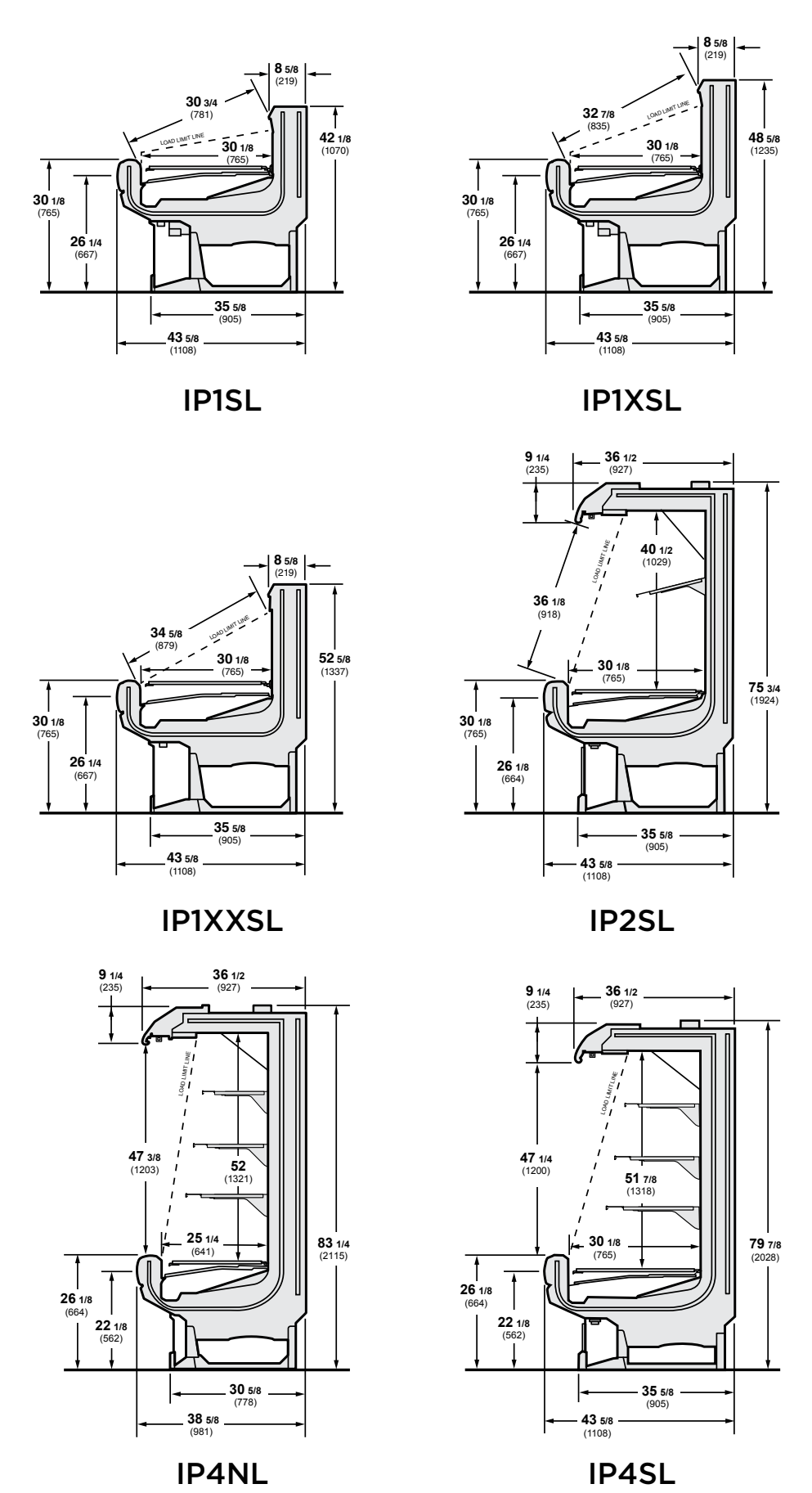
Meat Merchandisers



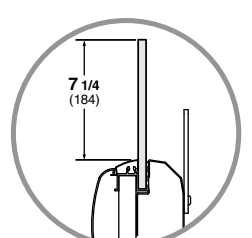
Dairy/Deli Merchandisers



Produce Merchandisers



* OPTIONAL GLASS FRONT



Measurements shown are in both inches and millimeters. Parentheses indicate millimeters. The drawings are for reference only. Please use Hussmann's Technical Data Sheets for precise dimensions when doing store layout and design.