

Scan QR code to  
access product  
information on your  
mobile device.

We reserve the right to change or revise specifications and product design in connection with any feature of our products. Such changes do not entitle the buyer to corresponding changes, improvements, additions or replacements for equipment previously sold or shipped.

Item	Part #	Description	Wiring Item #	Item	Part #	Description	Wiring Item #
<b>FAN ASSEMBLIES</b>				<b>LAMPS AND BALLASTS</b>			
<b>4 Ft, 8 Ft &amp; 12 Ft</b>				G.	Ballast, Electronic		(6)
A.	<b>25W Standard Energy Efficient Fan Assembly</b>	(1)	0480130	2 lamps			
	0501485	Fan Motor, Evaporator	0480131	3 lamps			
	0501484	Fan Blade	0480132	4 lamps			
<b>6 Ft Only</b>				H.	Fluorescent Lamp		(7)
A.	<b>7W Energy Efficient Fan Assembly</b>	(1)		<i>Replace with like fixtures</i>			
	0477654	Fan Motor, Evaporator		<b>LED FIXTURES AND POWER SUPPLY</b>			
	0142780	Fan Blade		J.	0501213	Power Supply	(8)
<b>DIXELL CONTROL</b>				K.		LED Canopy Fixture	(9)
B.	0527322	Display	(2)	<i>Replace with like fixtures</i>			
C.	3044950	Control Assembly	(3)	L.		LED Shelf Fixture	(10)
D.	0334802	Discharge Air Sensor	(4)	<i>Replace with like fixtures</i>			
	0527321	Display Cable		<b>REFRIGERATION</b>			
E.	0516897	Condensate Pump	(5)	F.	3002343	TEV R448A	

Data sheet-Excel CF5X

Note: Revision J: Updated refrigerant charges.

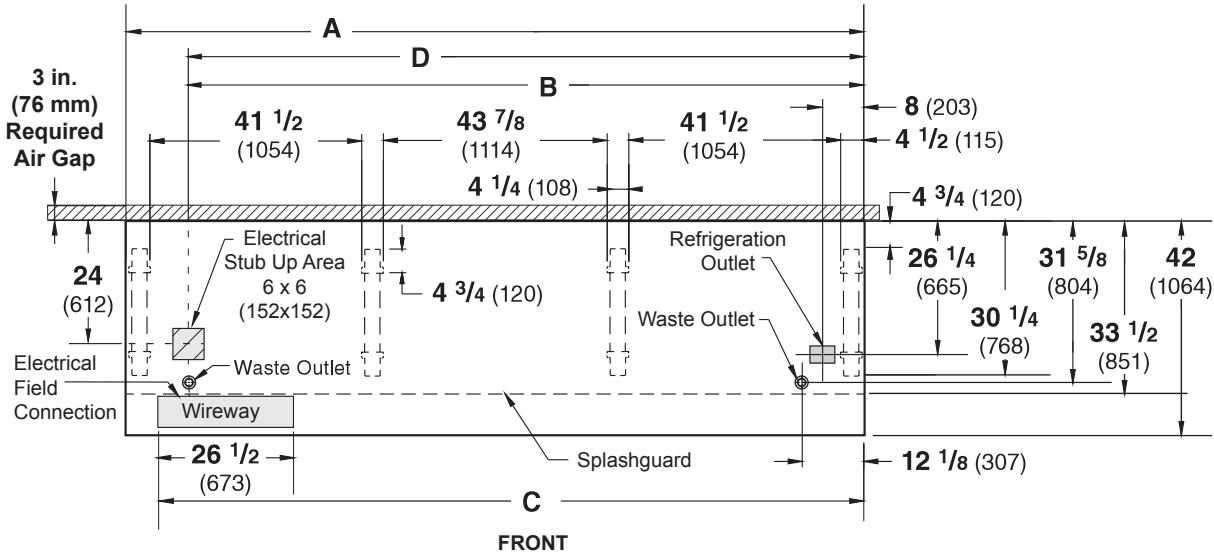
# Engineering Plan Views

PHYSICAL DATA	
Merchandiser Drip Pipe (in.)	1 1/4
Merchandiser Liquid Line (in.)	3/8
Merchandiser Suction Line (in.)	7/8

Convertible

Dimensions shown as in. and (mm).

06-2012  
CF5X



NOTE: Case-to-Case Electrical Connections are made IN FRONT OF SPLASHGUARD.

	4 ft	6 ft	8 ft	12 ft
<b>General</b>				
<b>(A)</b> Case Length (without ends, with acrylic partitions) (Each end and insulated partition adds 1 1/2 in. (38 mm) to case line up.) Optional view end with bumper adds 3 3/4 in. [95 mm].	48 3/8 (1229)	72 3/8 (1838)	96 3/8 (2448)	144 1/2 (3670)
Maximum O/S dimension of case back to front (includes bumper)	42 (1064)	42 (1064)	42 (1064)	42 (1064)
Back of case to front of splashguard	33 1/2 (851)	33 1/2 (851)	33 1/2 (851)	33 1/2 (851)
Back of case to O/S edge of front leg	30 1/4 (768)	30 1/4 (768)	30 1/4 (768)	30 1/4 (768)
Distance between edges of external legs and center legs	NA	29 1/2 (750)	41 1/2 (1054)	41 1/2 (1054)
Distance between edges of center legs	NA	NA	NA	43 7/8 (1114)
Distance between front legs and splashguard	2 3/4 (70)	2 3/4 (70)	2 3/4 (70)	2 3/4 (70)
<b>Electrical Service</b> <input checked="" type="checkbox"/> (Electrical Field Wiring connection point)				
<b>(B)</b> RH End of case to center of stub up area	36 1/4 (921)	60 1/4 (1530)	84 1/4 (2140)	132 3/8 (3363)
Back of case to center of stub up area	24 (612)	24 (612)	24 (612)	24 (612)
Length of electrical wireway <input type="checkbox"/> Wireway	26 1/2 (673)	26 1/2 (673)	26 1/2 (673)	26 1/2 (673)
<b>(C)</b> RH End of case to LH end of wireway	42 1/8 (1070)	66 1/8 (1680)	90 1/8 (2289)	138 1/4 (3511)
<b>Waste Outlets</b> (One each end) <input checked="" type="checkbox"/>				
<b>(D)</b> RH End of case to the center of LH waste outlet	36 1/4 (921)	60 1/4 (1530)	84 1/4 (2140)	132 3/8 (3363)
RH End of case to the center of RH waste outlet	12 1/8 (307)	12 1/8 (307)	12 1/8 (307)	12 1/8 (307)
Back O/S of case to center of waste outlets	31 5/8 (804)	31 5/8 (804)	31 5/8 (804)	31 5/8 (804)
Schedule 40 PVC drip pipe	1 1/4 (32)	1 1/4 (32)	1 1/4 (32)	1 1/4 (32)
<b>Refrigeration Outlet</b> <input type="checkbox"/>				
Back of case to center of refrigeration outlet	26 1/4 (665)	26 1/4 (665)	26 1/4 (665)	26 1/4 (665)
RH end of case to center of refrigeration outlet	8 (203)	8 (203)	8 (203)	8 (203)

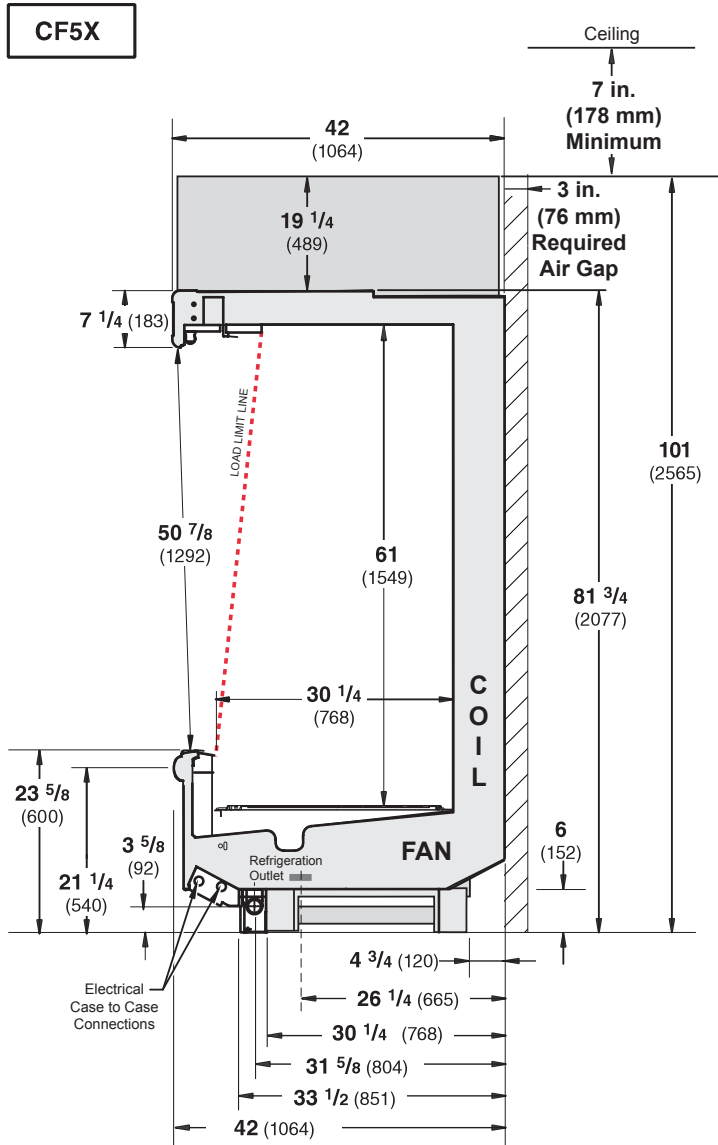
## Multi-deck, 5 Display Levels



Hussmann refrigerated merchandisers configured for sale for use in the United States meet or surpass the requirements of the DOE 2017 energy efficiency standards.

Dimensions shown as in. and (mm).

Note: An optional Louvered Facade Panel kit is available that will allow for the top spacing minimum clearance of 3 inches (76 mm).



### NSF Certification

This merchandiser model is manufactured to meet NSF/ANSI (National Sanitation Foundation) Standard #7 requirements for construction, materials & cleanability.

## Excel CF5X Dairy/Delicatessen/Produce

### REFRIGERATION DATA

Note: This data is based on store temperature and humidity that does not exceed 75°F and 55% R.H.

CF5X <sup>§</sup>	DAIRY/DELI/PRODUCE <sup>†</sup>	
	UNLIT	LIT
Discharge Air (°F)	33	31
Evaporator (°F)	28	26
Unit Sizing (°F)	26	24

<sup>†</sup>For red meat application, lower evaporator temperature and unit sizing 3°F. Increase Btu 5%.

<sup>§</sup> Average evaporator temperature shown. Use dew point for high glide refrigerants for unit sizing. Care should be taken to use the dew point in PT tables for measuring and adjusting superheat. Adjust evaporator pressure as needed to maintain discharge air temperature shown.

### Btu/hr/ft — Unlit Shelves<sup>‡</sup>

CF5X	Parallel	Conventional
UNLIT	1374	1444

<sup>‡</sup> Add 10 Btu/hr/ft per shelf row for LED fixtures.  
Add 20 Btu/hr/ft per shelf row for fluorescent lamps.

### DEFROST DATA

#### CF5X

Frequency Hrs 6  
Defrost Water (lb/ft/day) 10.5  
(± 15% based on case configuration and product loading).

TEMPERATURE TERMINATED	CF5X
Temp (°F)	48°F
Failsafe (Minutes)	45

**ELECTRIC OR GAS** Not Recommended

### CONVENTIONAL CONTROLS

#### Low Pressure Backup Control

#### CI/CO\*

CF5X	DAIRY/DELI/PRODUCE <sup>††</sup>
Temp (°F)	19°F / 9°F

\*Use a Temperature Pressure Chart to determine PSIG conversions.

<sup>††</sup>For red meat application, reduce low pressure backup control by 3°F.

#### Working charge with recommended Condensing Unit installed:

4 ft	9 lb	144 oz	4.08 kg
6 ft	5.6 lb	89.6 oz	2.54 kg
8 ft	5.9 lb	94.4 oz	2.68 kg
12 ft	10.4 lb	166.4 oz	4.72 kg

# Excel CF5X

## Dairy/Delicatessen/Produce

### Electrical Data

	4 ft	6 ft	8 ft	12 ft					
Number of Fans—25W	1	—	2	3					
Number of Fans—7W	—	4	—	—					
		Amperes					Watts		
	4 ft	6 ft	8 ft	12 ft	4 ft	6 ft	8 ft	12 ft	
<b>Evaporator Fan</b>									
120V 50/60Hz Standard Energy Efficient	0.60	0.76	1.20	1.80	36	56	72	108	
<b>Minimum Circuit Ampacity</b>									
120V 50/60Hz Standard Energy Efficient	0.80	0.96	1.40	2.00					
<b>Maximum Over Current Protection 120V</b>	<b>20</b>	<b>20</b>	<b>20</b>	<b>20</b>					
<b>Standard Lighting (T-8 Fluorescent)</b>									
1 Row Canopy	0.26	0.51	0.51	0.77	30	0.59	59	85	
<b>ONLY LIGHTING CONFIGURATIONS THAT ARE COMPLIANT WITH THE U.S. DEPT. OF ENERGY (DOE) 2012 REGULATION ARE AVAILABLE FOR SALE FOR USE IN THE U.S.A.</b>									
<b>Optional Lighting (T-8 Fluorescent)</b>									
Additional 1 Row Canopy	0.26	0.51	0.51	0.77	30	59	59	85	
Additional 2 Row Canopy	0.51	1.02	1.02	1.54	59	118	118	170	
Additional 3 Row Canopy	0.77	1.53	1.53	2.31	89	177	177	255	
1 Row Rail Light	0.26	0.51	0.51	0.77	30	59	59	85	
1 Row of Shelves	0.26	0.51	0.51	0.77	30	59	59	85	
2 Rows of Shelves	0.51	1.02	1.02	1.54	59	118	118	170	
3 Rows of Shelves	0.77	1.53	1.53	2.31	89	177	177	255	
4 Rows of Shelves	1.02	2.04	2.04	3.08	118	236	236	340	
5 Rows of Shelves	1.28	2.55	2.55	3.85	148	295	295	425	
6 Rows of Shelves	1.53	3.06	3.06	4.62	177	354	354	510	
<b>EcoShine II Canopy</b>									
EcoShine II	0.16	0.26	0.32	0.48	19.3	31.6	38.6	58.0	
EcoShine II HO	0.22	0.33	0.44	0.66	26.5	39.5	53.0	79.4	
<b>EcoShine II Rail Light</b> —1 Row	0.08	0.12	0.16	0.25	9.9	14.1	19.8	29.7	
<b>EcoShine II Shelves</b>									
1 Row of Shelves	0.08	0.12	0.16	0.25	9.9	14.1	19.8	29.7	
2 Rows of Shelves	0.16	0.23	0.33	0.49	19.8	28.2	39.5	59.3	
3 Rows of Shelves	0.25	0.35	0.49	0.74	29.7	42.3	59.3	89.0	
4 Rows of Shelves	0.33	0.47	0.66	0.99	39.5	56.4	79.1	118.6	
5 Rows of Shelves	0.41	0.59	0.82	1.24	49.4	70.5	98.9	148.3	
6 Rows of Shelves	0.49	0.70	0.99	1.48	59.3	84.5	118.6	178.0	
7 Rows of Shelves	0.58	0.82	1.15	1.73	69.2	98.6	138.4	207.6	

120V Lighting Circuit Total = Standard Lighting + Total Optional Lighting + Optional Shelf Lighting

120V LED Lighting Circuit Total = Canopy Lighting + Shelf Lighting

230V Lighting Circuit Total = Multiply 120V Lighting Circuit Total by 0.52

*Please note: some combinations of fluorescent lights on this case model may not be compliant with DOE 2017 and may not be available to order in the US and Canada. More lighting options are available with LED lights. The Hussmann Product Configurator will not allow lighting options that do not comply with the DOE 2017 standards.*

**Product Data**

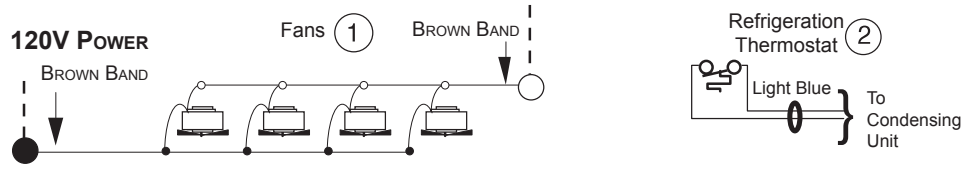
<i>Recommended Usable Cube</i> <sup>1</sup> (Cu Ft/Ft)	9.39 ft <sup>3</sup> /ft (0.87 m <sup>3</sup> /m)
<i>AHRI Total Display Area</i> <sup>2</sup> (Sq Ft/Ft)	4.24 ft <sup>2</sup> /ft (1.29 m <sup>2</sup> /m)
<i>Shelf Area</i> <sup>3</sup> (Sq Ft/Ft)	9.88 ft <sup>2</sup> /ft (3.01 m <sup>2</sup> /m)

- <sup>1</sup> AHRI Refrigerated Volume less shelving and other unusable space: Refrigerated Volume/Unit of Length, ft<sup>3</sup>/ft [m<sup>3</sup>/m]
- <sup>2</sup> Computed using AHRI 1200 standard methodology: Total Display Area, ft<sup>2</sup> [m<sup>2</sup>]/Unit of Length, ft [m]
- <sup>3</sup> Shelf surface area is composed of bottom deck plus standard shelf complement, as shown in the Hussmann *Product Reference Guide*. The standard shelf complement for this model is (4) rows of 22-inch shelves.

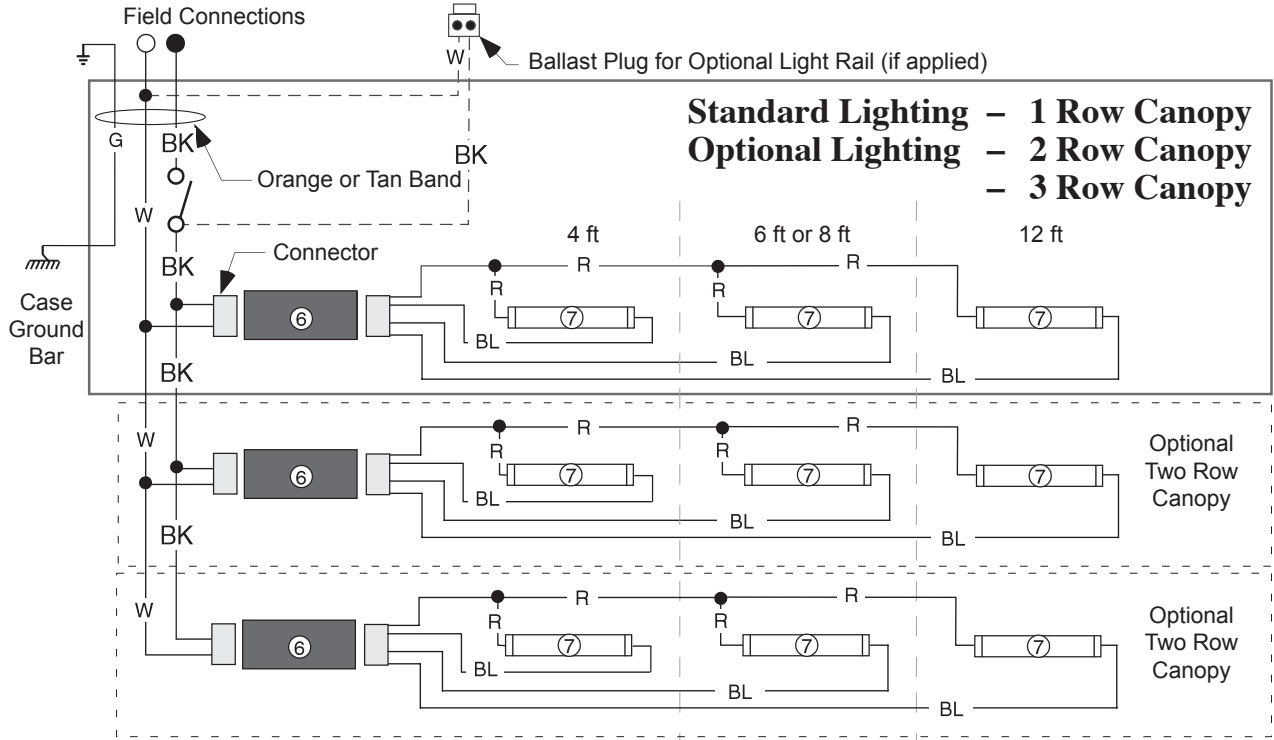
<b>ESTIMATED SHIPPING WEIGHT<sup>4</sup></b>					
<b>Case</b>	<i>4 ft</i>	<i>6 ft</i>	<i>8 ft</i>	<i>12 ft</i>	<b>Solid End</b>
					<i>(each)</i>
<b>lb (kg)</b>	800 (363)	1000 (454)	1200 (544)	1400 (635)	100 (45)
<sup>4</sup> Actual weights will vary according to optional kits included.					

# Fan Wiring Offtime Defrost

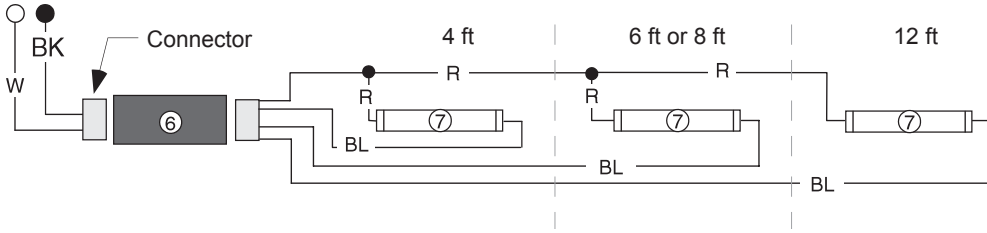
1, 2, 3 & 4 Fans  
 4 ft - 1 Fan  
 6 ft - 4 Fans  
 8 ft - 2 Fans  
 12 ft - 3 Fans  
 120V NEUTRAL



# Canopy Light Circuits — Fluorescent Fixtures



## Optional Lighting - 1 Row Rail



### WARNING

All components must have mechanical ground, and the merchandiser must be grounded.

Circled numbers = Parts list Item Numbers

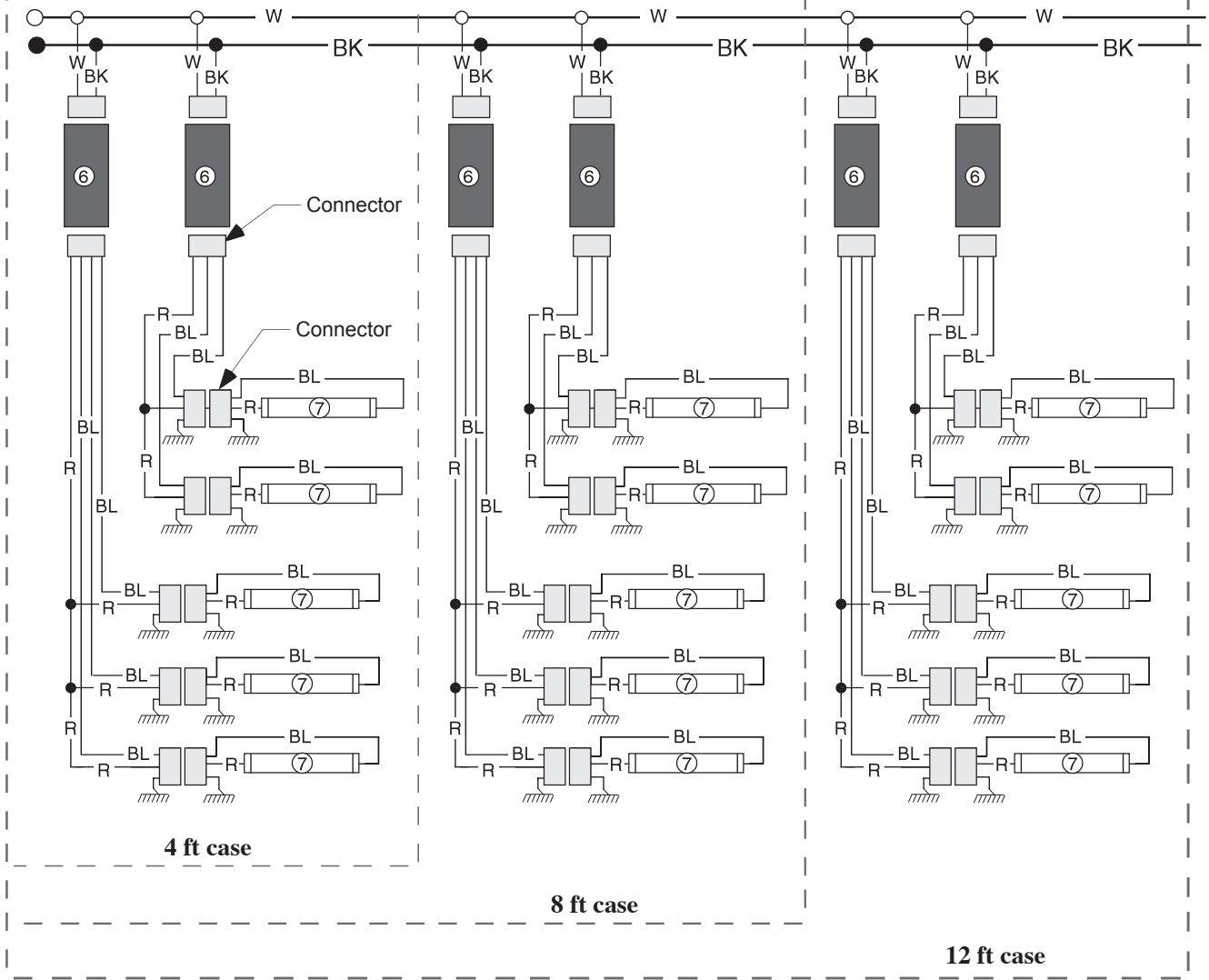
Grayed components in 12 foot models only

R = Red Y = Yellow G = Green BL = Blue BK = Black W = White

● = 120V Power ○ = 120V Neutral ⊥ = Field Ground ≡ = Case Ground

## Optional Shelf Lighting Fluorescent Fixtures

### Optional Shelf Harness and Light Circuits for Five Rows of Shelves



#### WARNING

All components must have mechanical ground, and the merchandiser must be grounded.

Circled numbers = Parts list Item Numbers

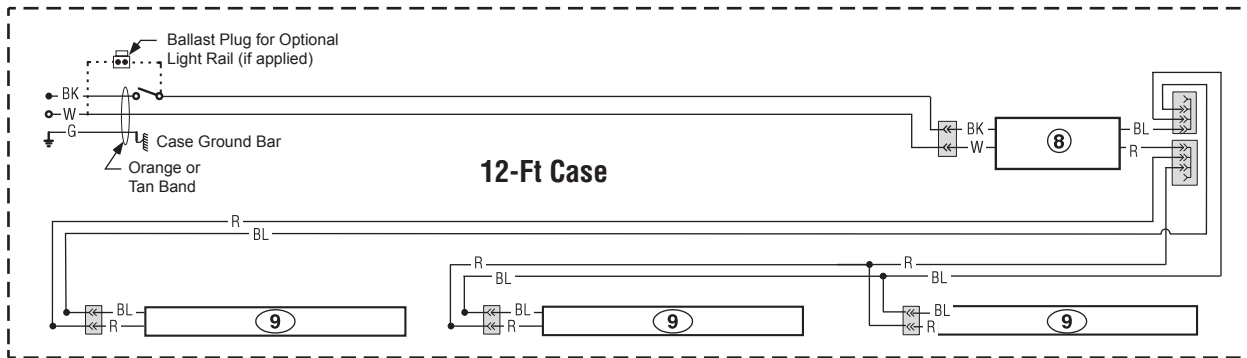
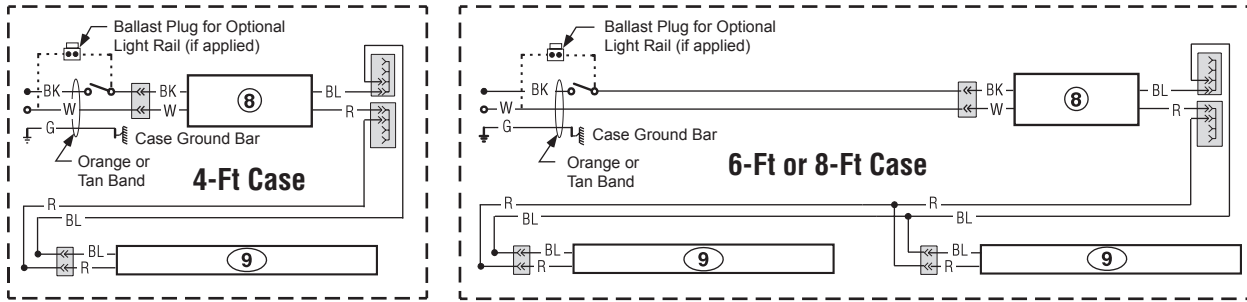
Grayed components in 12 foot models only

R = Red    Y = Yellow    G = Green    BL = Blue    BK = Black    W = White

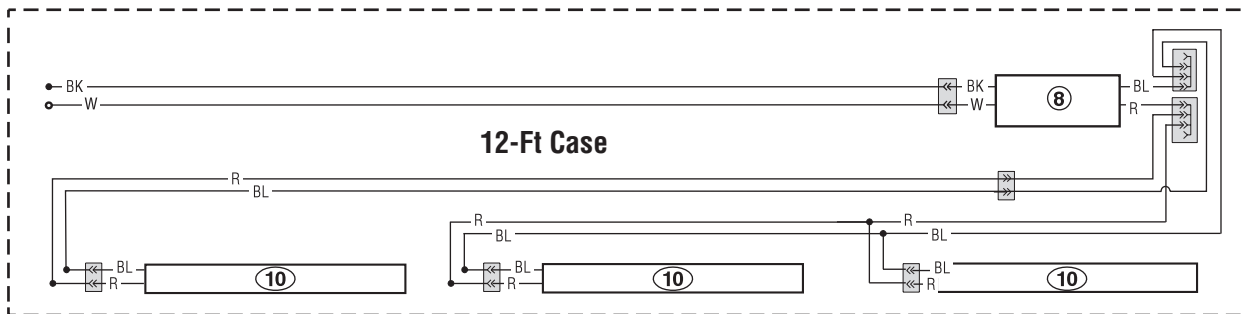
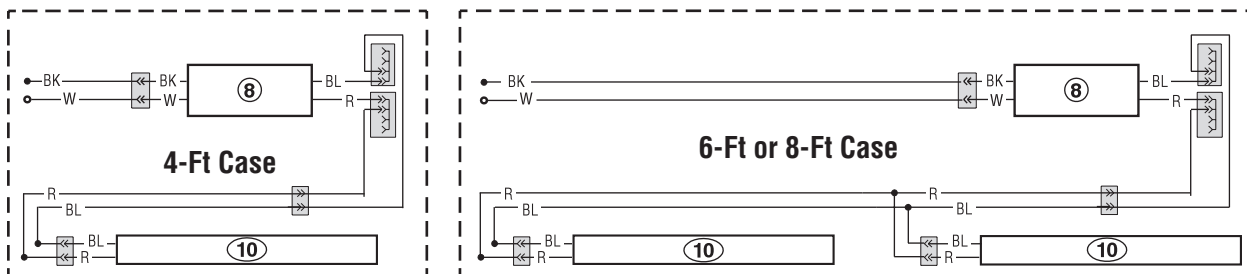
● = 120V Power    ○ = 120V Neutral    ⚡ = Field Ground    ⏏ = Case Ground

# Optional Canopy and Rail Light Circuits — LED Fixtures

## EcoShine II LED Canopy Lighting – 1 Row



## EcoShine II LED Rail Lighting – 1 Row



### WARNING

All components must have mechanical ground, and the merchandiser must be grounded.

Circled numbers = Parts list Item Numbers

Grayed components in 12 foot models only

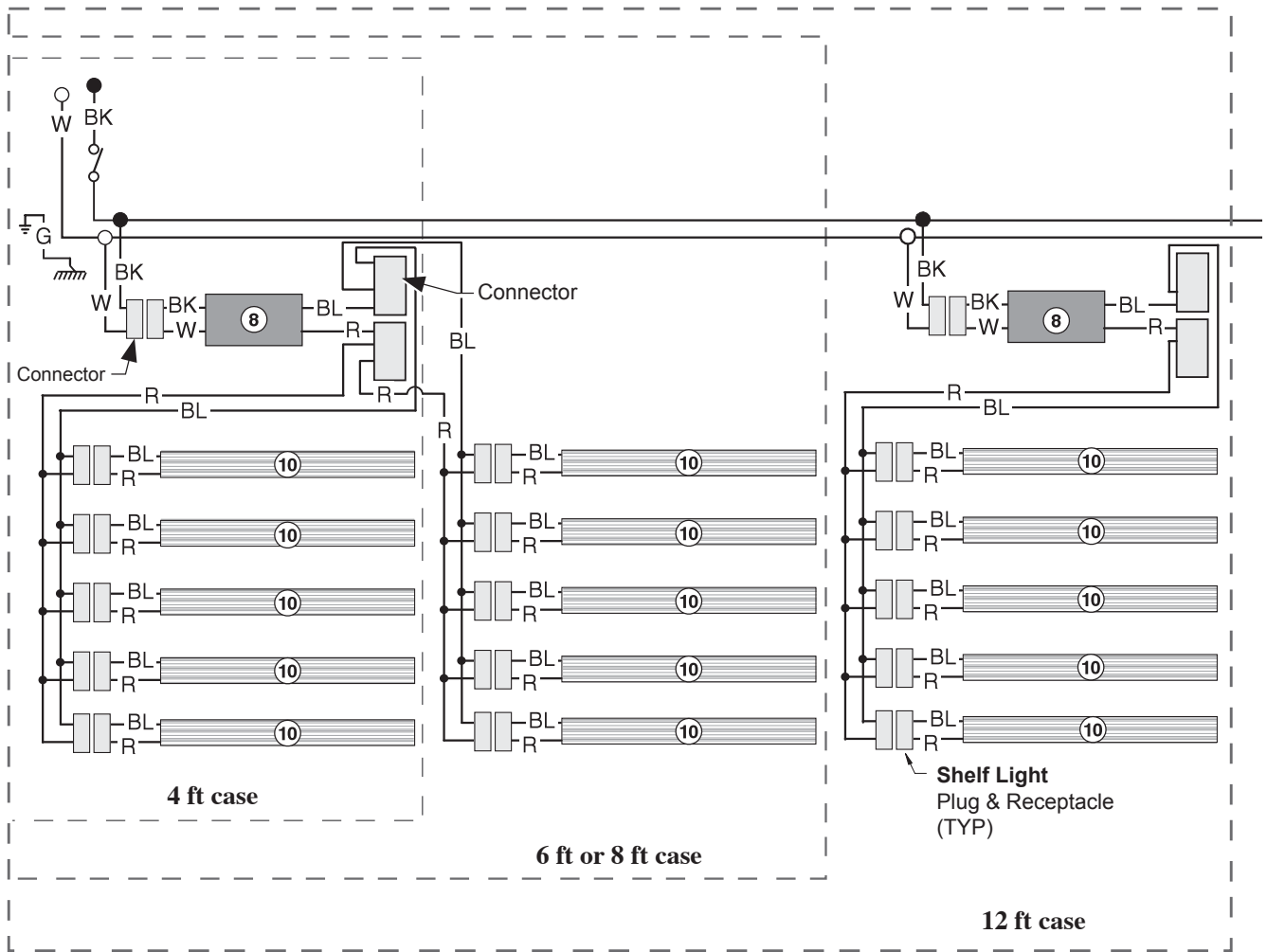
R = Red Y = Yellow G = Green BL = Blue BK = Black W = White

● = 120V Power ○ = 120V Neutral ⊥ = Field Ground ≡ = Case Ground



# Optional Shelf Lighting LED Fixtures

## Optional Shelf Harness and Light Circuits for 4 or 5 Rows of Shelves



### WARNING

All components must have mechanical ground, and the merchandiser must be grounded.

Circled numbers = Parts list Item Numbers

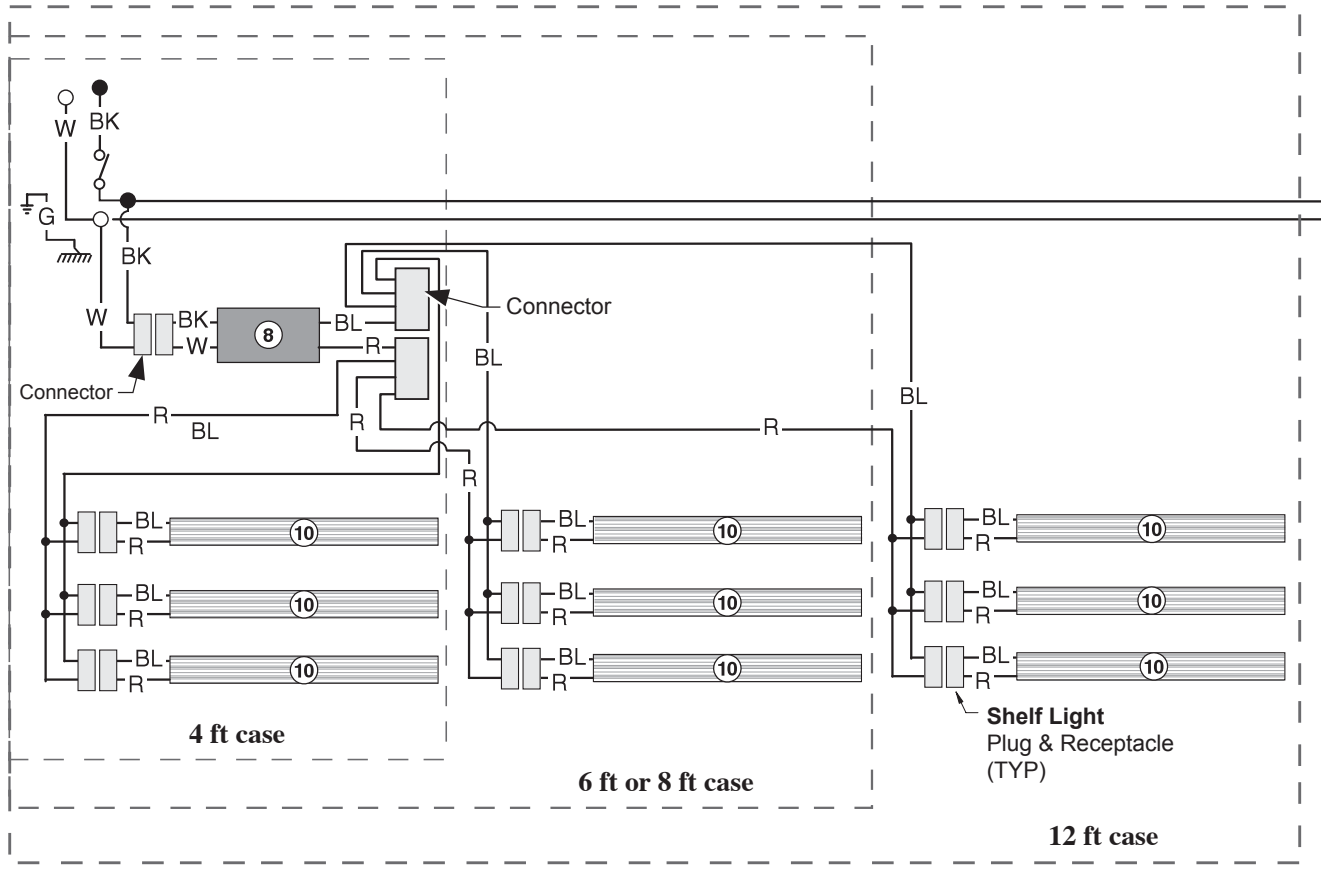
Grayed components in 12 foot models only

R = Red Y = Yellow G = Green BL = Blue BK = Black W = White

● = 120V Power ○ = 120V Neutral ⊥ = Field Ground ≡ = Case Ground

# Optional Shelf Lighting LED Fixtures

## Optional Shelf Harness and LED Light Circuits for 2 or 3 Rows of Shelves



### WARNING

All components must have mechanical ground, and the merchandiser must be grounded.

Circled numbers = Parts list Item Numbers

Grayed components in 12 foot models only

R = Red Y = Yellow G = Green BL = Blue BK = Black W = White

● = 120V Power ○ = 120V Neutral ⊥ = Field Ground ≡ = Case Ground