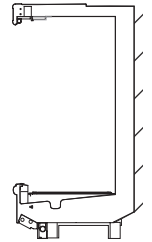


Parts List

Item No.	Quantity				Description
	4 ft	6 ft	8 ft	12 ft	
1.	1	2	2	3	Mirror
2.	1	2	4	6	Lower Mirror Channel
3.	1	2	2	3	Top Retainer Assembly
4.	4	8	18	27	Screws, #8 x 18 x 1/2
5.	2	2	4	6	Bottom Mirror Clip
6.	4	4	8	12	Screws, #10



SAFETY PRECAUTIONS

Mirrors must be properly installed and positioned in accordance with the installation instructions. Basic safety precautions should be followed when installing or replacing mirrors. Always wear appropriate personal protection equipment (PPE) including arm guards, protective eyewear thick gloves that cover the wrists, and protective sleeves that cover the wrists to reduce injuries when replacing broken or cracked glass.






⚠ WARNING

ALWAYS wear protective eye wear and thick gloves that cover the wrists when handling glass. Handling or working around sharp glass shards can cause severe lacerations.

MANUAL-KIT-INSTALLATION-MIRROR

ANSI Z535.5 DEFINITIONS

- 
• DANGER – Indicate[s] a hazardous situation which, if not avoided, will result in death or serious injury.
- 
• WARNING – Indicate[s] a hazardous situation which, if not avoided, could result in death or serious injury.
- 
• CAUTION – Indicate[s] a hazardous situation which, if not avoided, could result in minor or moderate injury.
- NOTICE** – *Not related to personal injury* – Indicates[s] situations, which if not avoided, could result in damage to equipment.

June 2015

P/N 0537281_D

Spanish
0537282_D

If the mirror to be replaced is broken or cracked, completely clear all products from the merchandiser. Cover the crack with tape before attempting to remove mirror. Inspect the merchandiser for shards of glass and carefully remove them.

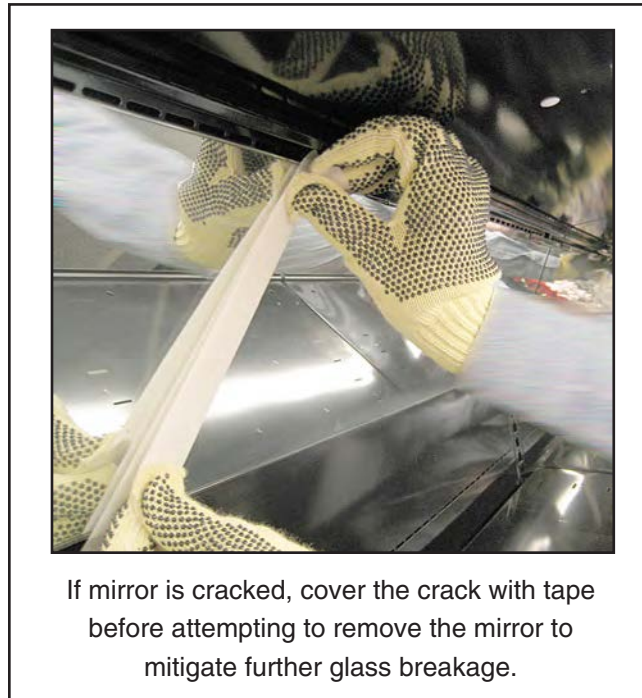
If the mirrored glass has loose or hanging shards, carefully pull one broken piece from the mirror at a time.

INSTALL NEW MIRROR

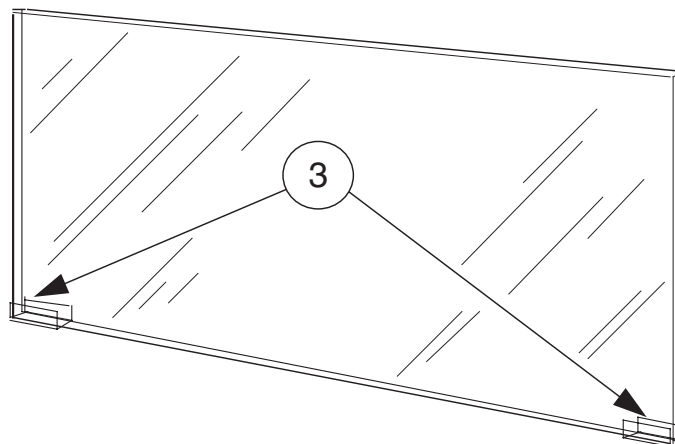
Unpack and inspect mirrors to ensure there is no breakage or damage before beginning installation or replacement.

1 Slide **Lower Mirror Channel – 3** onto the bottom of mirror.

(Skip steps 3, 4, 5 and 6 if retainers and mirror channels are already installed.)

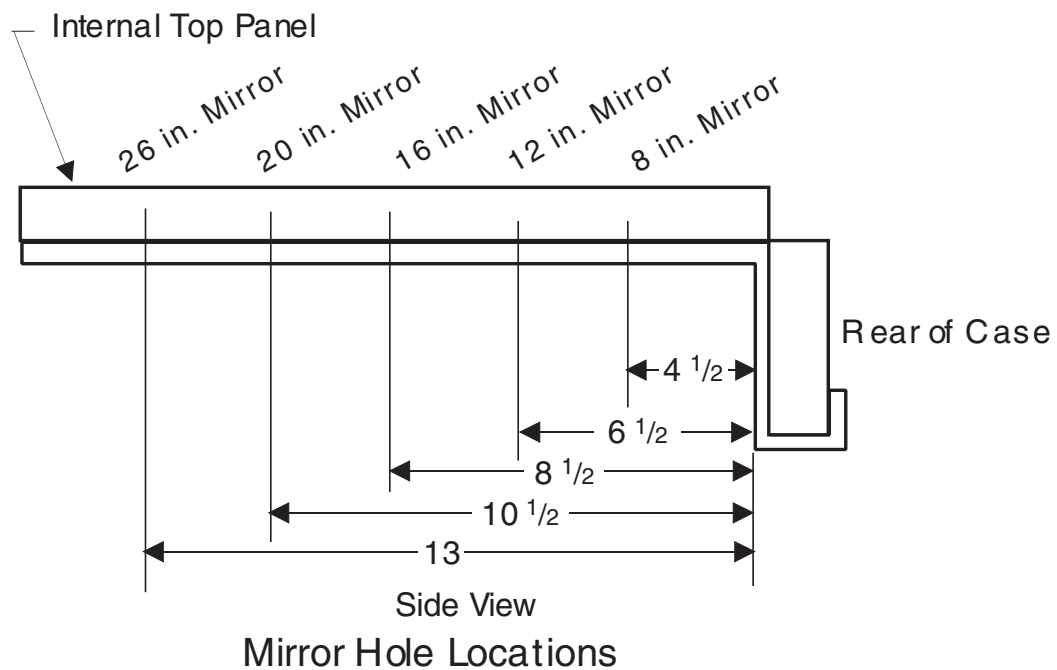


If mirror is cracked, cover the crack with tape before attempting to remove the mirror to mitigate further glass breakage.

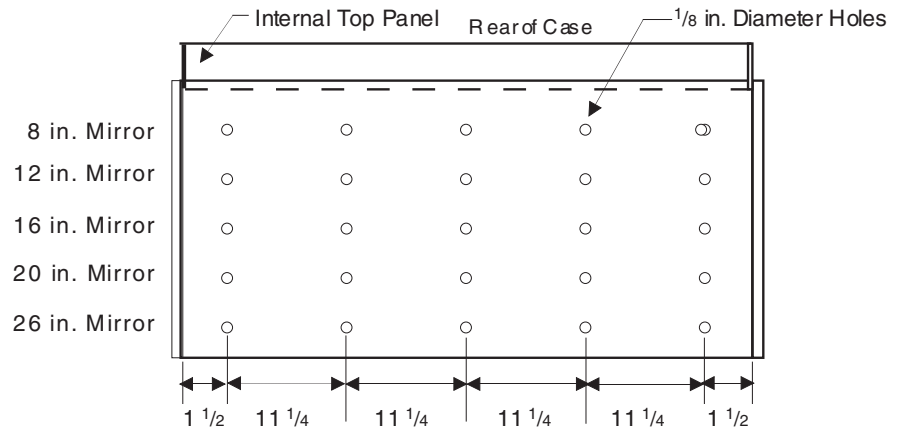


Front of Mirror

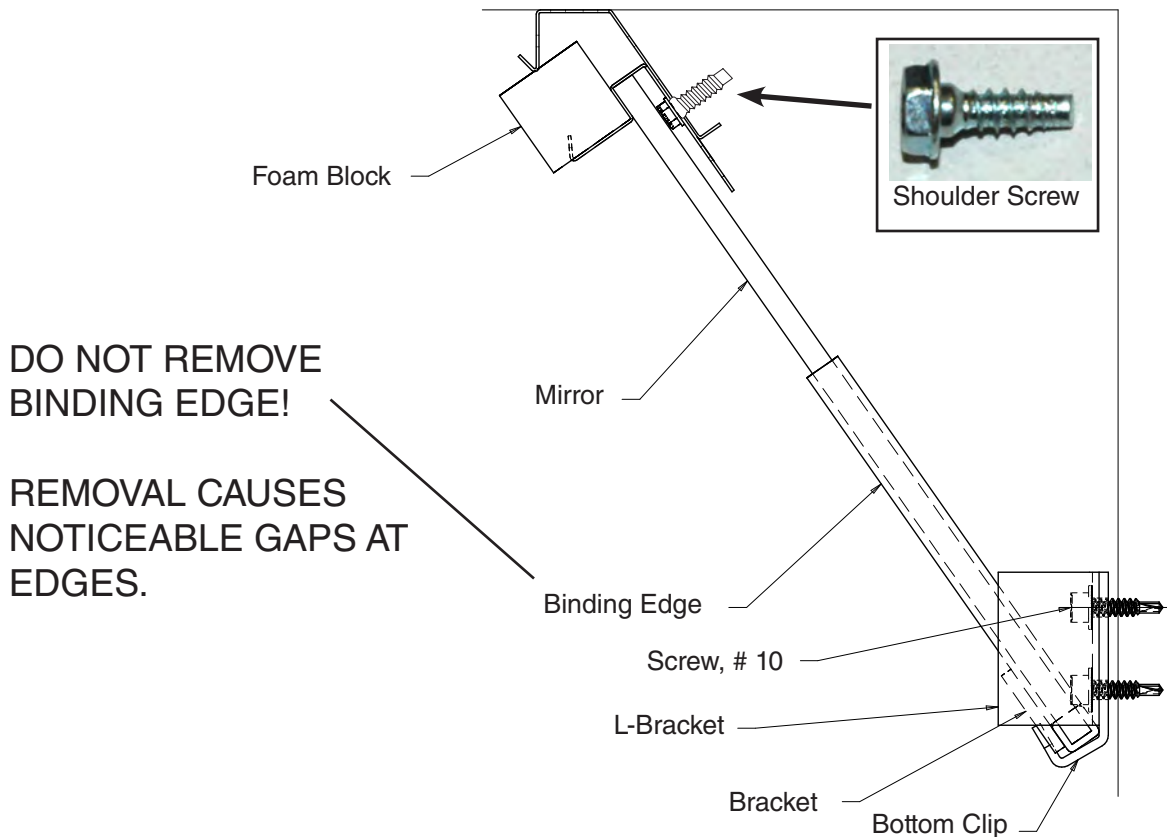
- 2** Drill pilot holes in the Internal Top Panel at the appropriate locations using the illustrations as a guide. The pilot holes will be used to fasten the **Top Retainer Assembly – 4.**



3 Fasten **Top Retainer Assembly – 4** to the top interior panel using **Screws – 5**.

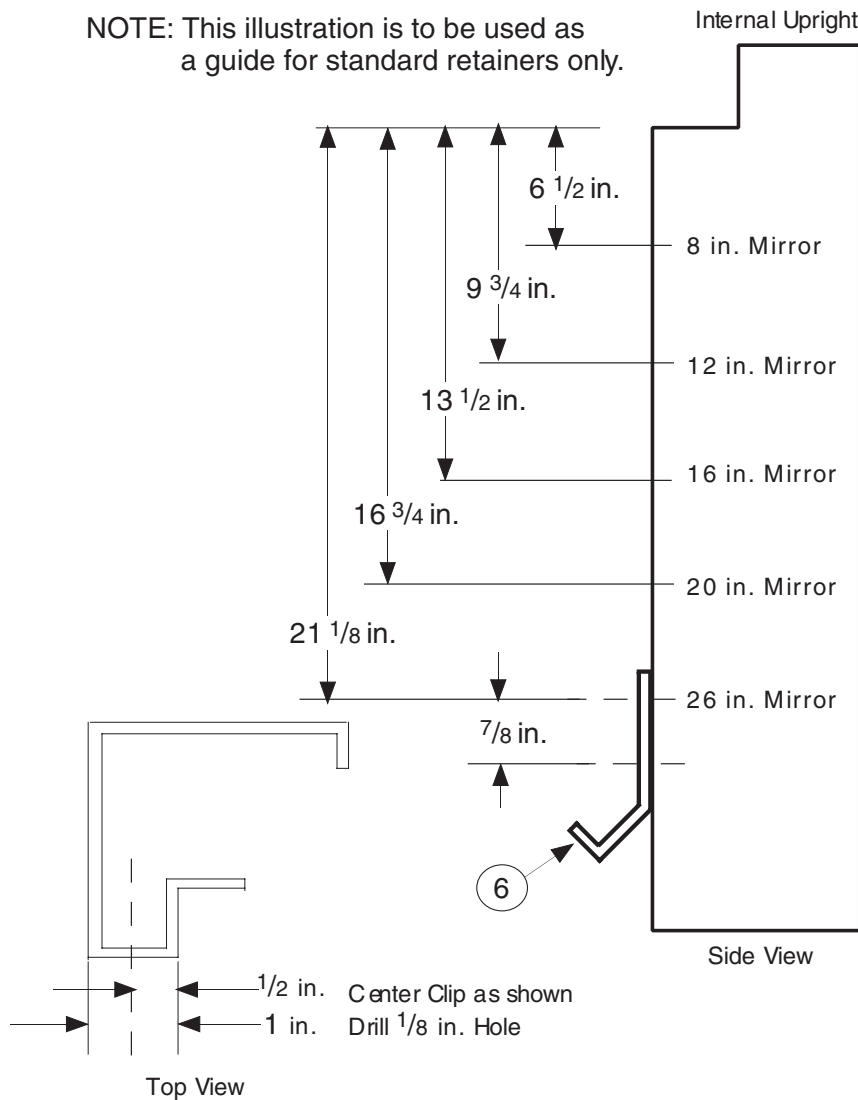


Top View
Top Retainer Clip Assembly Locations



DO NOT REMOVE BINDING EDGE!
REMOVAL CAUSES NOTICEABLE GAPS AT EDGES.

NOTE: This illustration is to be used as a guide for standard retainers only.



Bottom Clip Mirror Locations

4 If installing mirrors with standard top retainers, refer to diagram at left and skip **Steps 6 and 7.**

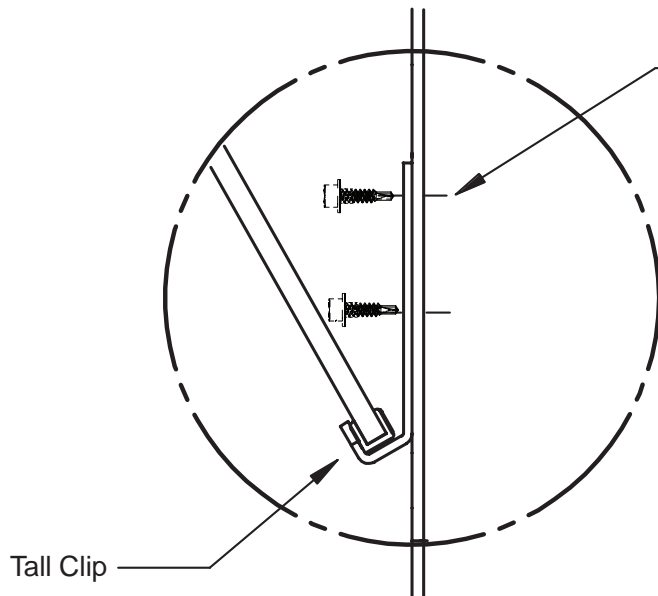
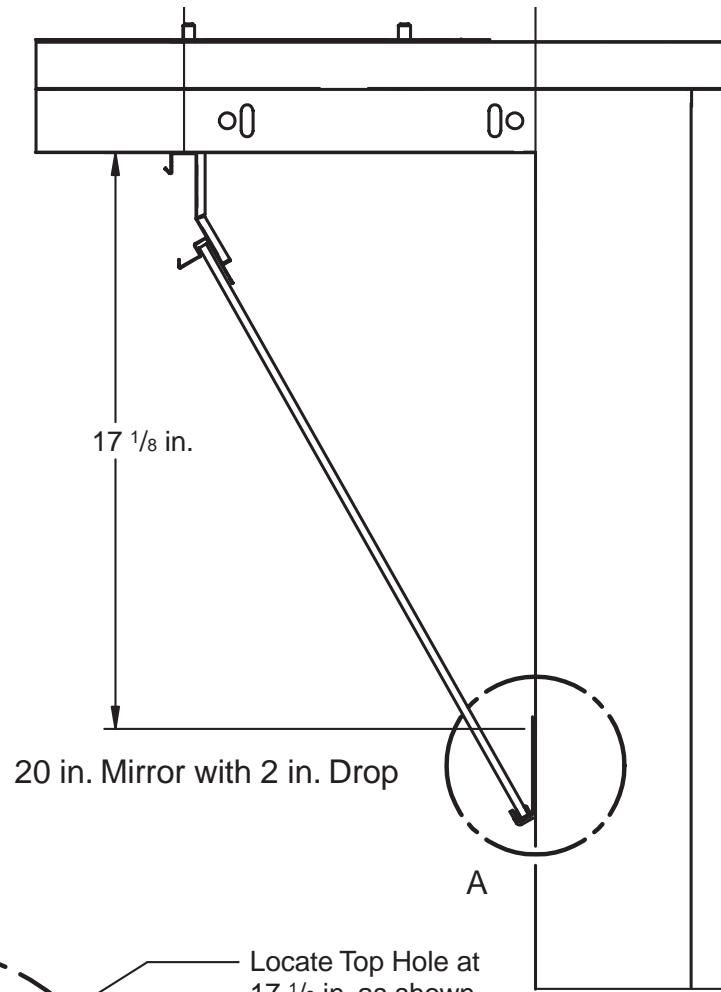
For standard sized top retainer assemblies, drill pilot holes in the interior upright at the appropriate locations using the illustration at left as a guide. The pilot holes will be used to fasten the **Bottom Mirror Clip – 6.**

NOTE: Refer to the illustrations on the next two pages if installing specialty mirrors with 2 in. top retainer drops. (Specialty mirrors with 2 in. top retainer drops are available only for 20 in. and 26 in. mirrors.)

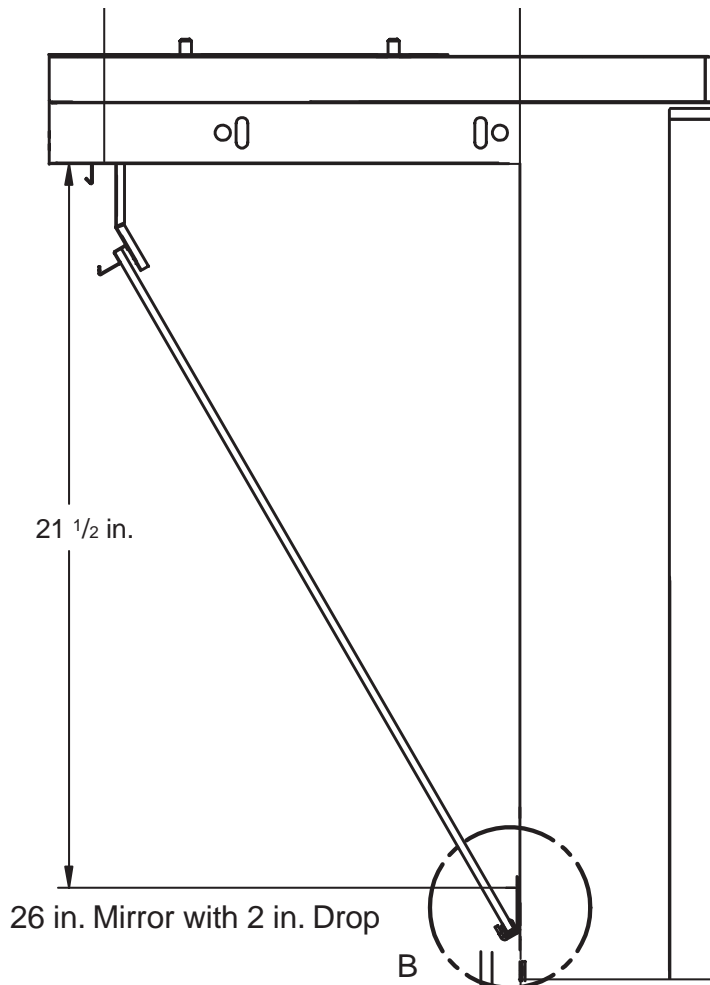
5a

The illustrations at right are to be used as a guide for installing **20 in. mirror kits with 2 in. top retainer drops.**

Locate pilot holes in the upper back panel at the appropriate locations using the illustration as a guide. The pilot holes will be used to fasten the **Bottom Mirror Clip – 6** as shown in **Step 8.**



Detail A

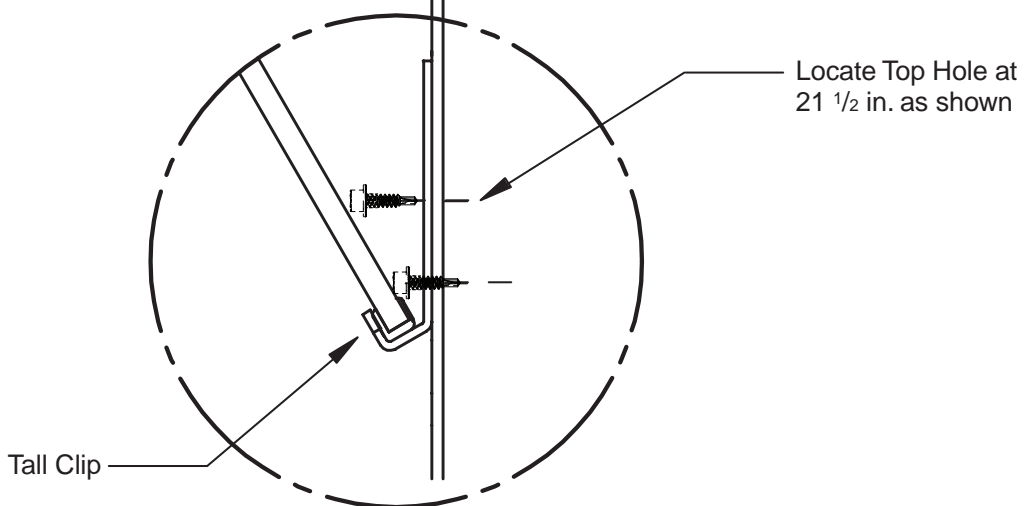


5^b

The illustrations at left are to be used as a guide for installing 26 in. mirror kits with 2 in. top retainer drops.

Locate pilot holes in the interior upright at the appropriate locations using the illustration as a guide. The pilot holes will be used to fasten the **Bottom Mirror Clip – 6**.

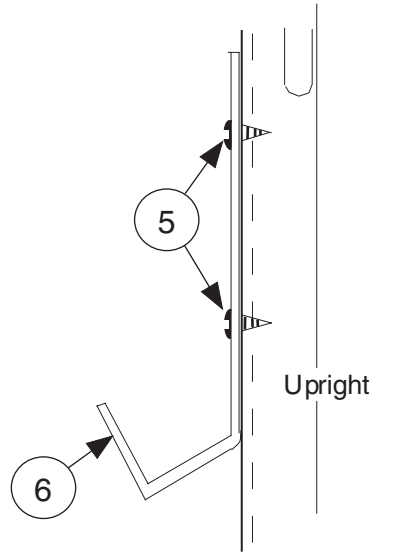
Continue installing the mirror kits with 2 in. top retainer drops in the same manner as the standard mirror kits as described in **Step 8**.



Detail B

6 Fasten **Bottom Mirror Clip – 6** to the internal upright using **Screws – 5**.

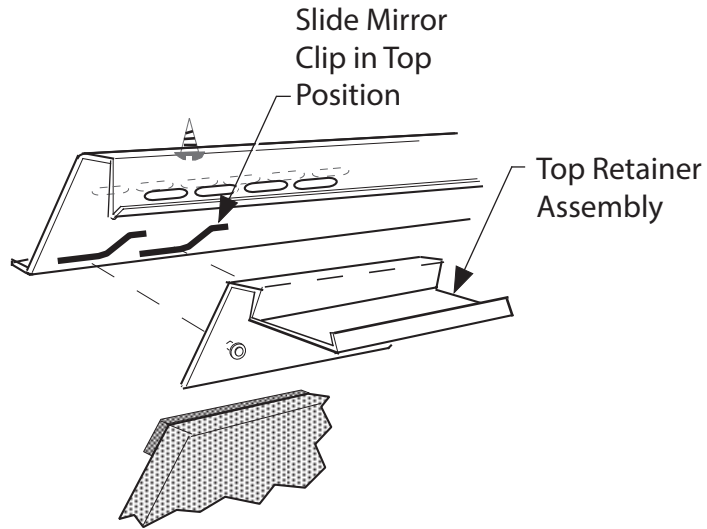
IMPORTANT: Check that all mirror clips are in the top position before continuing.



Installing Bottom Mirror Clip

7 Slide top retainer assembly *OVER* and *UP* to move clips to the top position.

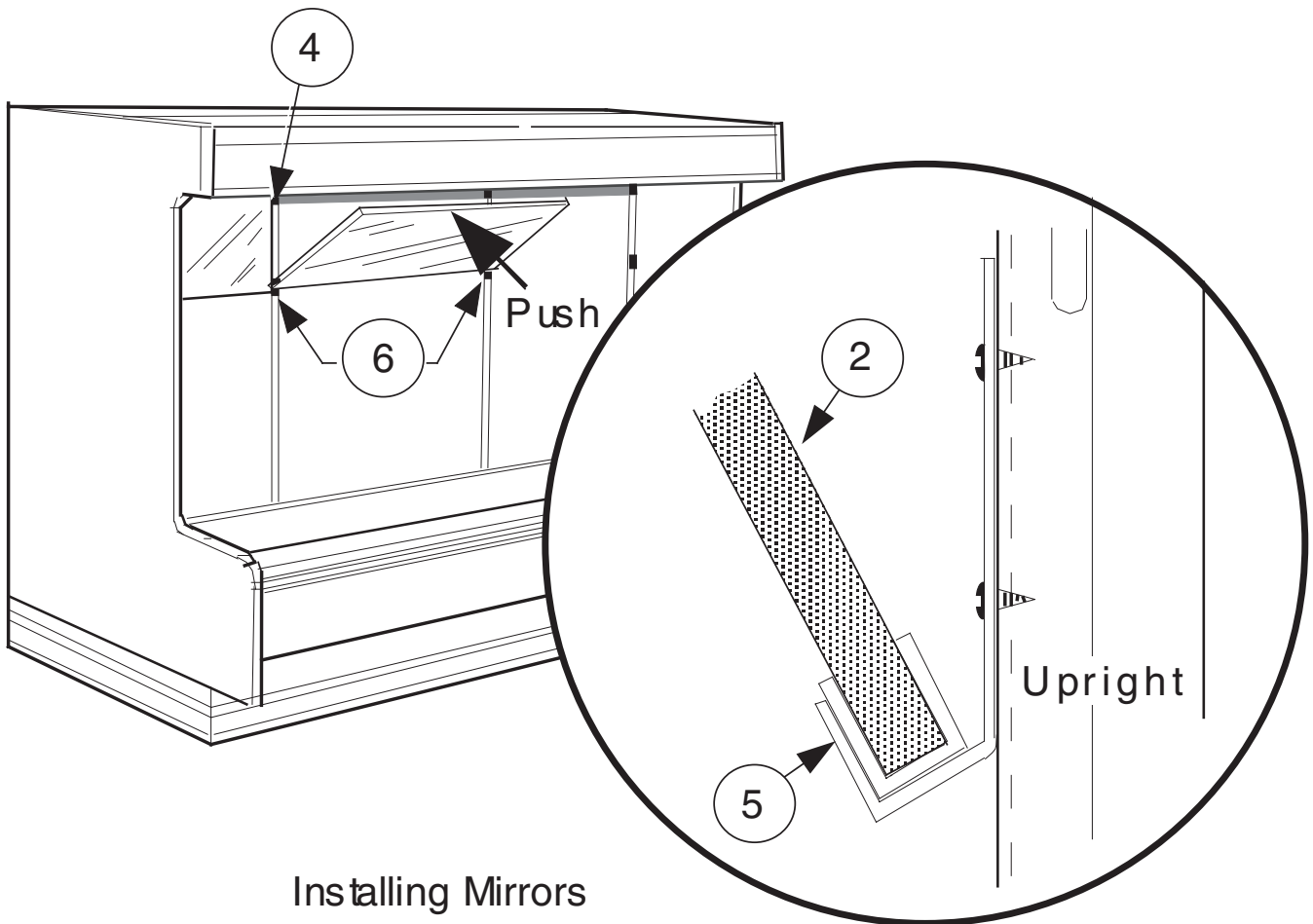
If replacing mirrors, ensure retainers and mirror channels are in good working order before replacing mirrors.



! WARNING

ALWAYS wear protective eye wear and thick gloves that cover the wrists when handling glass. Handling or working around sharp glass shards can cause severe lacerations.

- 8** Insert **Mirror – 2** into the **Bottom Mirror Clip – 6** and gently push toward back of case until it meets the **Top Retainer Assembly – 4**.



9 Install **Mirror – 2** into the **Top Mirror Clip** and slide the mirror clip *OVER* then *DOWN* to hold the mirror in place.

