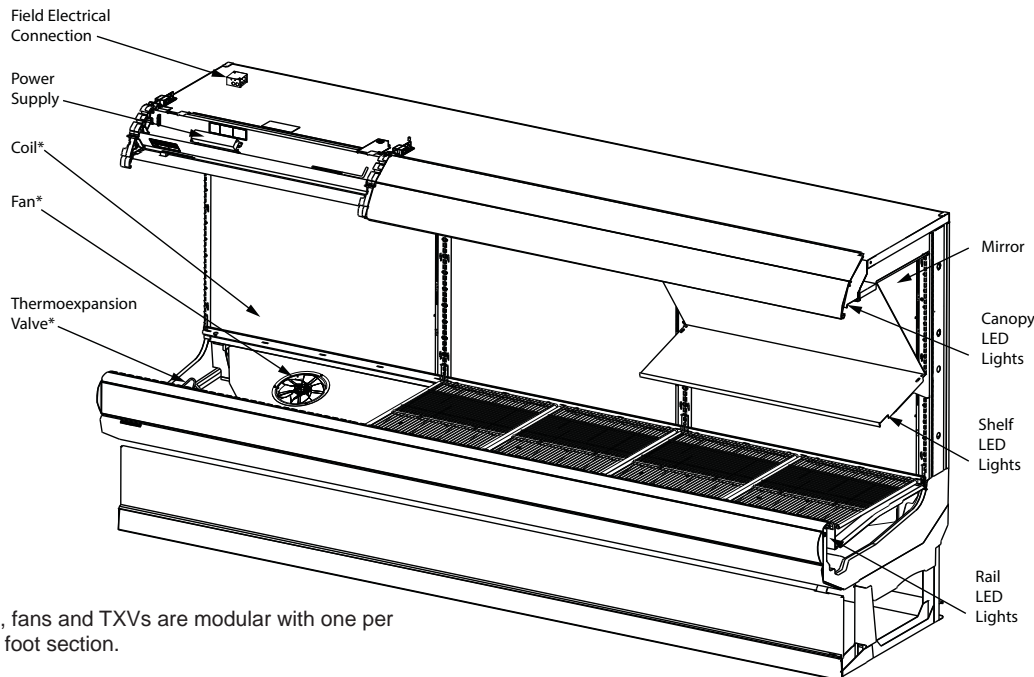


Insight standard field electrical connections are at the top left of the merchandiser



*Coils, fans and TXVs are modular with one per 3 or 4 foot section.

Portion of parts removed for clarity.

12 foot merchandiser shown.

NSF Certification

This merchandiser model is manufactured to meet NSF/ANSI (National Sanitation Foundation) Standard #7 requirements for construction, materials and cleanability.

Performance Data	Page 2	Estimated Shipping Weights	Page 6
Product Data (AHRI Statistics)	Page 2	Shelf Options	Page 6
Cross Section	Page 3	Replacement Parts List	Page 7
Plan View	Page 4	Wiring Diagrams	Page 8
Electrical Loads	Page 5	Computing Refrigeration and Electrical Load	Page 11
		Revision History	Page 11

Data sheet-Insight IP2SL

We reserve the right to change or revise specifications and product design in connection with any feature of our products. Such changes do not entitle the buyer to corresponding changes, improvements, additions or replacements for equipment previously sold or shipped.

Insight IP2SL

Cut / Bulk Produce

Refrigeration Data ¹

IP2SL		Optimal Shelf Life			Energy Comparison
Application		Cut Produce	Bulk Produce	NSF Type 2 Ambient ³ (Cut)	AHRI 1200 Rating Point ⁴
Unlit Shelves	Discharge Air °F (°C)	33 (0.55)	39 (3.89)	32 (0)	33 (0.55)
	Average Evaporator °F (°C) ²	28 (-2.22)	34 (1.11)	26 (-3.33)	28 (-2.22)
	Parallel Btu/hr/ft (Watts/m)	820 (789)	665 (640)	1080 (1039)	820 (789)
	Conventional Btu/hr/ft (Watts/m)	895 (861)	725 (697)	1180 (1135)	895 (861)
Lit Shelves	Discharge Air °F (°C)	32 (0)	38 (3.33)	31 (-0.55)	32 (0)
	Average Evaporator °F (°C) ²	27 (-2.77)	33 (0.55)	25 (-3.89)	27 (-2.77)
	Parallel Btu/hr/ft (Watts/m) ⁵	845 (813)	675 (649)	1100 (1058)	845 (813)
	Conventional Btu/hr/ft (Watts/m) ⁵	920 (885)	735 (707)	1195 (1149)	920 (885)
Fan Speed	IP2SL6 (8.25")	1300	1300	1300	1300
	IP2SL4, 8, 12 (8.25")	1300	1300	1300	1300

Notes:

- All data based on store temperature and humidity that does not exceed NSF Type 1 ambient conditions of 75°F and 55% relative humidity except where noted.
- Average evaporator temperature shown. Use dew point for high glide refrigerants for unit sizing. Care should be taken to use the dew point in PT tables for measuring and adjusting superheat. Adjust evaporator pressure as needed to maintain discharge air temperature shown.
- Data for operation in NSF Type 2 ambient of 80°F and 55% relative humidity.
- AHRI 1200 Rating Point for energy consumption comparison only.
- Add 10 Btu/hr/ft (9.6 Watts/m) per shelf row for LED shelf light fixtures.

Defrost Data

Frequency (hours between defrost) 4

Defrost Water ⁶

7.2 lb/ft/day (10.7 kg/m)

⁶ (± 15% based on case configuration and product loading).

OFFTIME

Time (minutes)

IP2SL

20

ELECTRIC OR GAS

Not Available

Conventional Controls

IP2SL

Low Pressure Backup Control CI/CO ⁷

20°F /10°F
-6.7°C / -12.2°C

Indoor Unit Only, Pressure Defrost Termination ⁷

48°F (8.9°C)

⁷ Use a Temperature Pressure Chart to determine PSIG conversions.

Estimated Charge ⁸ IP2SL

4 ft	0.6 lb	9.6 oz	0.3 kg
6 ft	1.1 lb	17.6 oz	0.5 kg
8 ft	1.5 lb	24 oz	0.7 kg
12 ft	2.9 lb	46.4 oz	1.3 kg

⁸ This is an average for all refrigerant types. Actual refrigerant charge may vary by approximately half a pound.

Product Data

Gross Refrigerated Volume ⁹ (Cu Ft/Ft) 7.0 ft³/ft (0.65 m³/m)

AHRI Total Display Area ¹⁰ (Sq Ft/Ft) 3.02 ft²/ft (0.92 m²/m)

Shelf Area ¹¹ (Sq Ft/Ft) 4.35 ft²/ft (1.32 m²/m)

⁹ AHRI Gross Refrigerated Volume: Refrigerated Volume/Unit of Length, ft³/ft [m³/m]

¹⁰ Computed using AHRI 1200 standard methodology: Total Display Area, ft² [m²]/Unit of Length, ft [m]

¹¹ Shelf surface area is composed of bottom deck plus standard shelf complement for this model: (1) row of shelves



Husmann refrigerated merchandisers configured for sale for use in the United States meet or surpass the requirements of the DOE 2017 energy efficiency standards.

Dimensions shown as in. and (mm).

IP2SL

Other optional kits (top piping and vent fans) add to the overall case height.

A minimum 1 1/2-in. clearance required to remove raceway cover, 6 1/2-in. for full access. See the Installation manual for instructions.

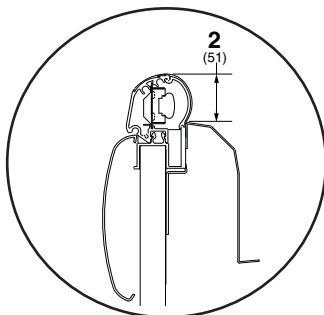
3-in. between back to back cases.

Shelf complement shown as tested for bulk produce. One shelf spaced equally between bottom display pan and interior top panel.

Cut produce tested with 12-in. mirror and two rows of shelves evenly spaced.

Shown with Ellipse Option Canopy and Bumper.

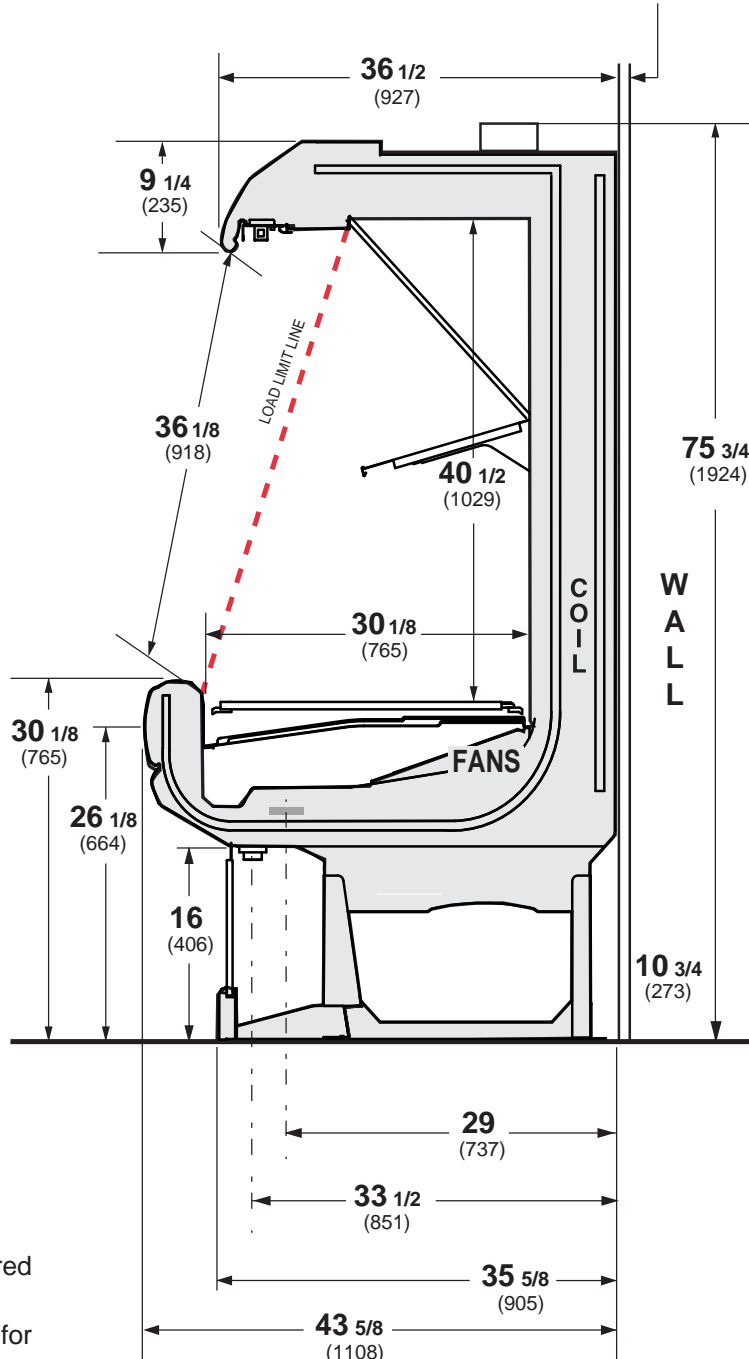
OPTIONAL RAIL LIGHT



NSF Certification

This merchandiser model is manufactured to meet NSF/ANSI (National Sanitation Foundation) Standard #7 requirements for construction, materials and cleanability.

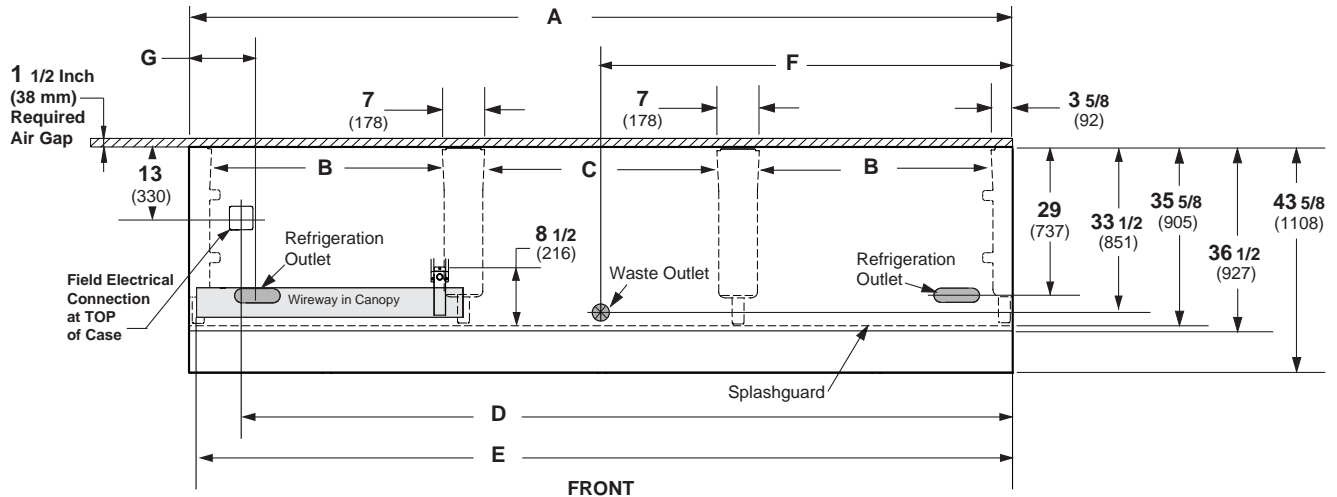
**1 1/2 In. (38 mm)
Required
Air Gap**



Engineering Plan View

**IM3SL/IM4SL/
IM5SL/IP2SL/
IP4SL**

Dimensions shown as in. and (mm).



(12 Foot Model shown above)

	4 ft	6 ft	8 ft	12 ft
General				
(A) Case Length (without ends or partitions) (Each end and insulated partition adds 1 1/2 in. (38 mm) to case line up.)	48 1/8 (1222)	72 1/4 (1835)	96 1/4 (2445)	144 3/8 (3668)
Maximum O/S dimension of case back to front (includes bumper)	43 5/8 (1108)	43 5/8 (1108)	43 5/8 (1108)	43 5/8 (1108)
Back of case to front of splashguard	35 5/8 (905)	35 5/8 (905)	35 5/8 (905)	35 5/8 (905)
(B) Distance between edges of external legs and center legs	NA	29 (737)	41 (1041)	41 (1041)
(C) Distance between edges of center legs	41 1/8 (1045)	NA	NA	41 1/8 (1045)
Distance between front legs and splashguard	8 (203)	8 (203)	8 (203)	8 (203)
Electrical Service (Field Electrical Wiring Connection)				
(D) RH End of case to center of Field Electrical Wiring Connection (top of case)	39 3/8 (1000)	63 1/2 (1613)	87 1/2 (2223)	135 1/2 (3442)
Back of case to center of Field Electrical Wiring Connection	13 (330)	13 (330)	13 (330)	13 (330)
Length of electrical wireway	44 5/8 (1133)	33 1/2 (851)	45 7/8 (1191)	45 7/8 (1191)
(E) RH end of case to LH end of electrical wireway (top of case)	46 1/2 (1181)	70 1/2 (1791)	94 1/2 (2400)	142 5/8 (3623)
Waste Outlets				
(F) RH End of case to the center of waste outlet	24 1/8 (613)	24 1/8 (613)	24 1/8 (613)	72 1/4 (1835)
Back O/S of case to center of waste outlet(s)	33 1/2 (851)	33 1/2 (851)	33 1/2 (851)	33 1/2 (851)
Schedule 40 PVC drip pipe	1 1/4 (32)	1 1/4 (32)	1 1/4 (32)	1 1/4 (32)
Refrigeration Outlet				
(G) Back of case to center of refrigeration outlet	29 (737)	29 (737)	29 (737)	29 (737)
End of case to center of refrigeration outlet	8 1/2 (216)	8 1/2 (216)	8 1/2 (216)	8 1/2 (216)

Electrical Data

Number of Fans	4 ft	6 ft	8 ft	12 ft
8.25-in.	1	2	2	3

				Amperes				Watts			
				4 ft	6 ft	8 ft	12 ft	4 ft	6 ft	8 ft	12 ft
Evaporator Fan											
120V	60Hz	Energy Efficient		0.25	0.50	0.50	0.75	16	32	32	48
230V	50/60Hz	Energy Efficient		0.13	0.26	0.26	0.39	16	32	32	48

Minimum Circuit Ampacity							
120V	60Hz	Energy Efficient		0.45	0.70	0.70	0.95
230V	50/60Hz	Energy Efficient		0.33	0.46	0.46	0.59

Maximum Over Current Protection							
120V				20	20	20	20
230V				15	15	15	15

Lighting

ONLY LIGHTING CONFIGURATIONS THAT ARE COMPLIANT WITH THE U.S. DEPT. OF ENERGY (DOE) 2017 REGULATION ARE AVAILABLE FOR SALE FOR USE IN THE U.S.A.

				Amperes				Watts			
				4 ft	6 ft	8 ft	12 ft	4 ft	6 ft	8 ft	12 ft
STANDARD LIGHTING											
EcoShine II Canopy											
	1 Row	EcoShine II		0.16	0.26	0.32	0.48	19.3	31.6	38.6	58.0
OPTIONAL LIGHTING											
EcoShine II Canopy											
	1 Row	EcoShine II HO		0.22	0.33	0.44	0.66	26.5	39.5	53.0	79.4
EcoShine II Shelf											
	1 Row	of Shelves		0.08	0.12	0.16	0.25	9.9	14.1	19.8	29.7
	2 Rows	of Shelves		0.16	0.23	0.33	0.49	19.8	28.2	39.5	59.3
	3 Rows	of Shelves		0.25	0.35	0.49	0.74	29.7	42.3	59.3	89.0
	4 Rows	of Shelves		0.33	0.47	0.66	0.99	39.5	56.4	79.1	118.6
EcoShine II Rail Light											
	1 Row			0.08	0.12	0.16	0.25	9.9	14.1	19.8	29.7

120V Lighting Circuit Total = Standard Lighting + Total Optional Lighting + Optional Shelf Lighting

230V Lighting Circuit Total = Multiply 120V Lighting Circuit Total by 0.52

Insight IP2SL
Cut / Bulk Produce

ENDS or PARTITIONS

Each standard end and each insulated partition adds 1 1/2 in. (38 mm) to case line up. Optional view end with end bumper adds 3 3/4 in. (95 mm).

PHYSICAL DATA

Merchandiser Drip Pipe (in.)	1 1/4
Schedule 40 PVC	
Merchandiser Liquid Line (in.)	3/8
Merchandiser Suction Line (in.)	5/8

ESTIMATED SHIPPING WEIGHT †

Case	4 ft	6 ft	8 ft	12 ft	Solid End (each)
lb (kg)	500 (227)	900 (408)	1050 (476)	1400 (635)	75 (34)

† Actual weights will vary according to optional kits included.

Shelf Options

Approved shelf sizes for standard (horizontal, 2-3 position brackets) displays:

- 14-inch
- 16-inch
- 18-inch
- 20-inch
- 22-inch

Contact engineering for non-standard (4 position brackets or other) display recommendations.

Minimum number of Shelves: 0

Optimal number of Shelves: 2

Maximum number of Shelves: 4

Maximum number of Lighted Shelves: 4

Standard shelf complement for test purposes: (1) row of shelves, evenly distributed vertically, titled at 15° with 26-in. mirror

Replacement Parts List

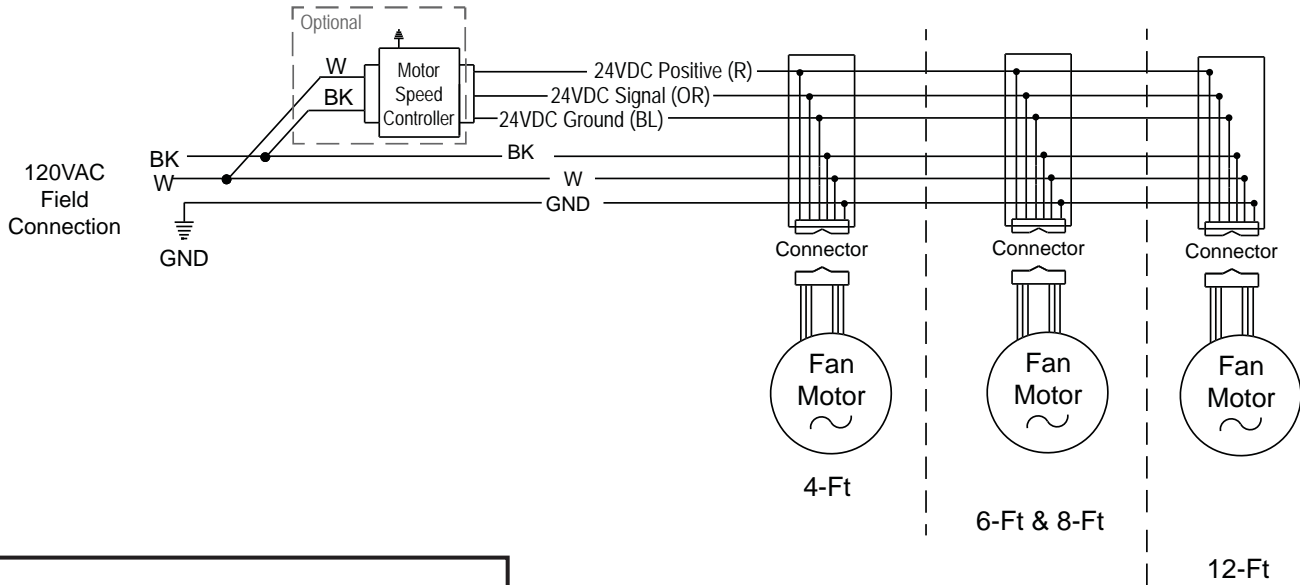
Part #	Description	Part #	Description
FAN ASSEMBLIES		COILS	
Standard HE Fan Assembly		0534323	4 ft, 8 ft, 12 ft
4 Ft, 6 Ft, 8 Ft & 12 Ft		0534222	6 ft only
0535563	8.25-in. Fan Assembly	HONEYCOMB - WHITE	
FAN SPEED KEY		0536831	4 ft, 8 ft, 12 ft
OPTIONAL		0536829	6 ft only
THERMOSTATS		THERMO-EXPANSION VALVE	
OPTIONAL		Pre-set Adjustable	
LED FIXTURES AND POWER SUPPLY		Varies with Refrigerant and Size	
0501213	Power Supply		
	LED Canopy Fixture		
	<i>Replace with like fixtures.</i>		
	LED Shelf Fixture		
	<i>Replace with like fixtures.</i>		
	LED Rail Fixture		
	<i>Replace with like fixtures.</i>		

NOTE: For LED lighting parts contact your Hussmann service representative at 1-800-922-1919. Please have your model and serial number available. Descriptions including size and color are at [HTTP://WWW.HUSSMANN.COM/EN/PRODUCTS/LED-LIGHTING/PAGES/DEFAULT.ASPX](http://www.hussmann.com/en/products/led-lighting/pages/default.aspx).

FOR ADDITIONAL PARTS INFORMATION, VISIT [HTTP://WWW.HUSSMANN.COM/EN/PAGES/AFTERMARKET-PARTS.ASPX](http://www.hussmann.com/en/pages/aftermarket-parts.aspx)

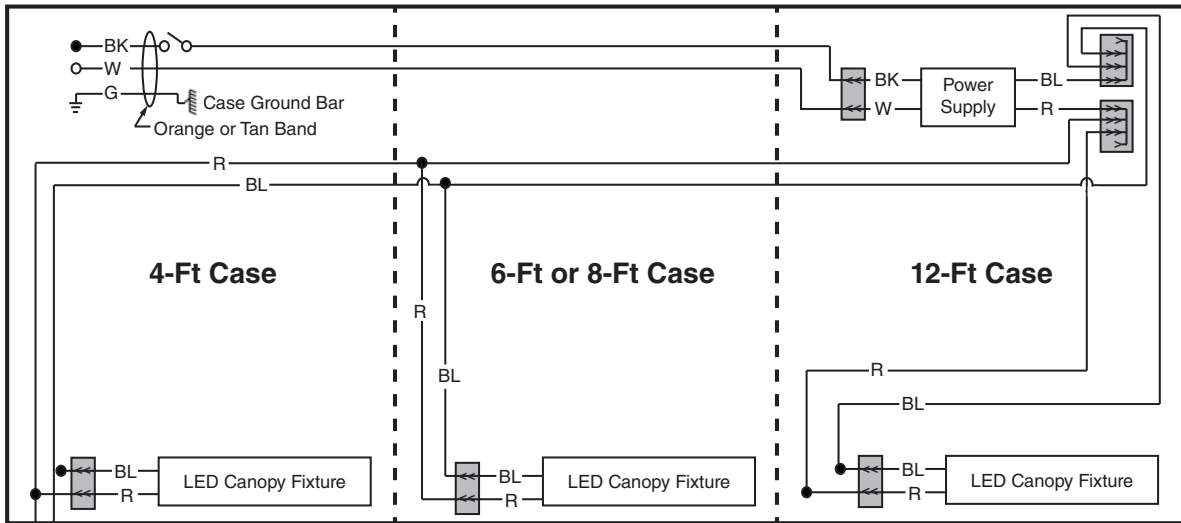
Insight IP2SL
Cut / Bulk Produce

Fan Wiring
Offtime Defrost

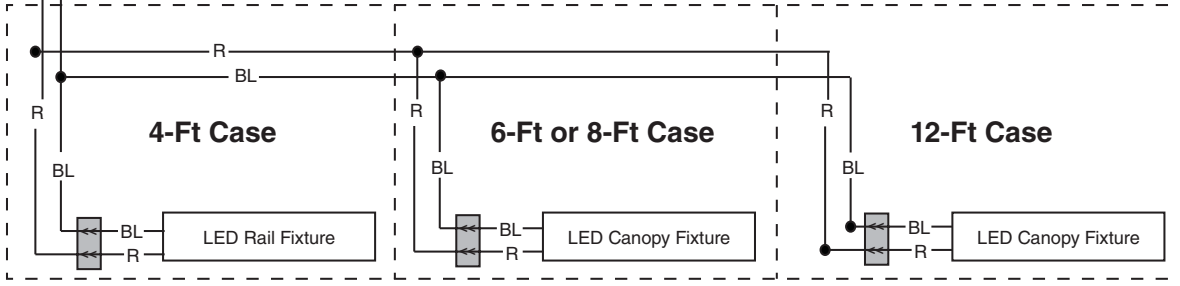


LED Canopy Light Circuits

EcoShine II LED Canopy Lighting - 1 Row



Optional Lighting - EcoShine II LED Rail - 1 Row



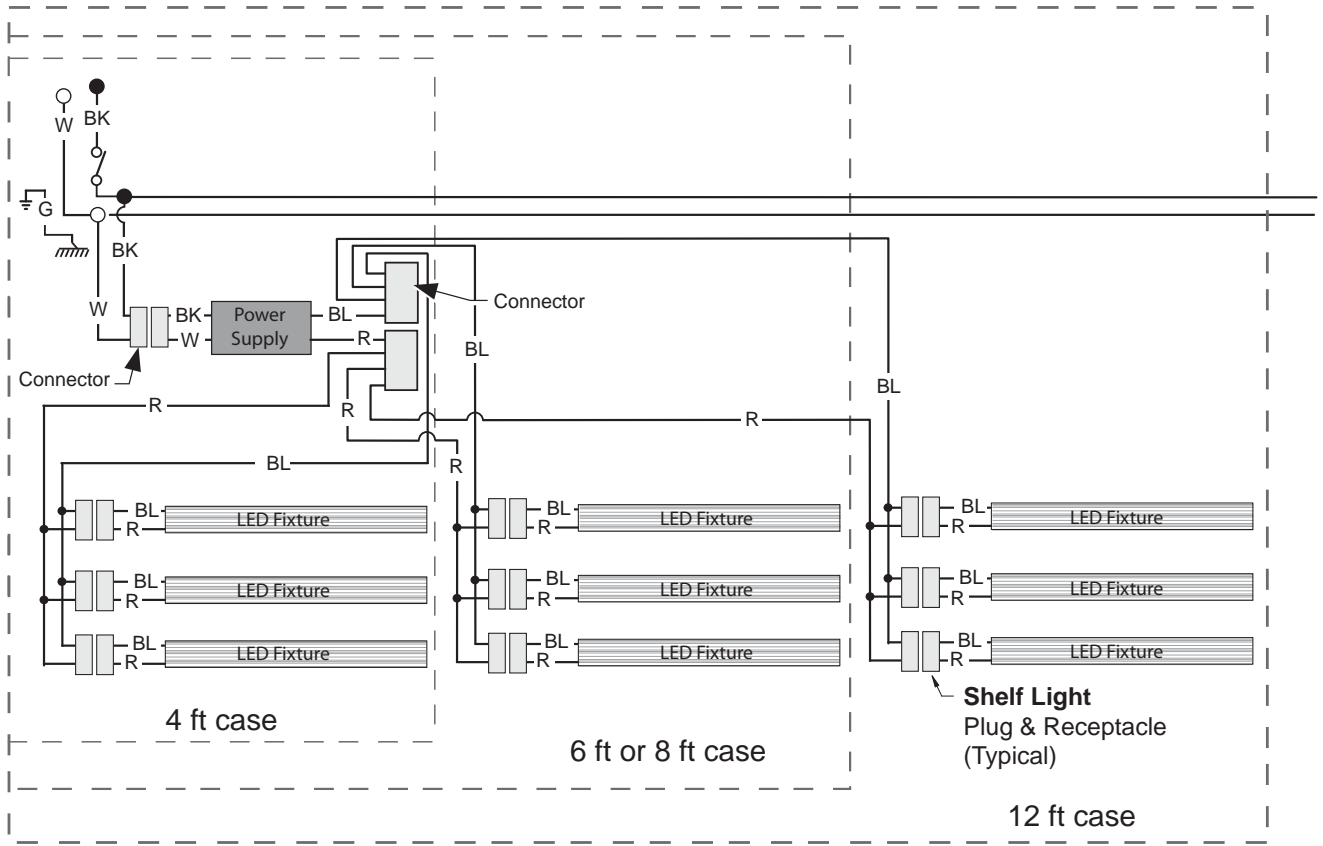
WARNING

All components must have mechanical ground, and the merchandiser must be grounded.

R = Red Y = Yellow G = Green BL = Blue BK = Black W = White
 ● = 120V POWER ○ = 120V NEUTRAL ⚡ = FIELD GROUND mmm = CASE GROUND

Optional LED Shelf Lighting

Optional Shelf Harness and LED Light Circuits for 2 or 3 Rows of Shelves

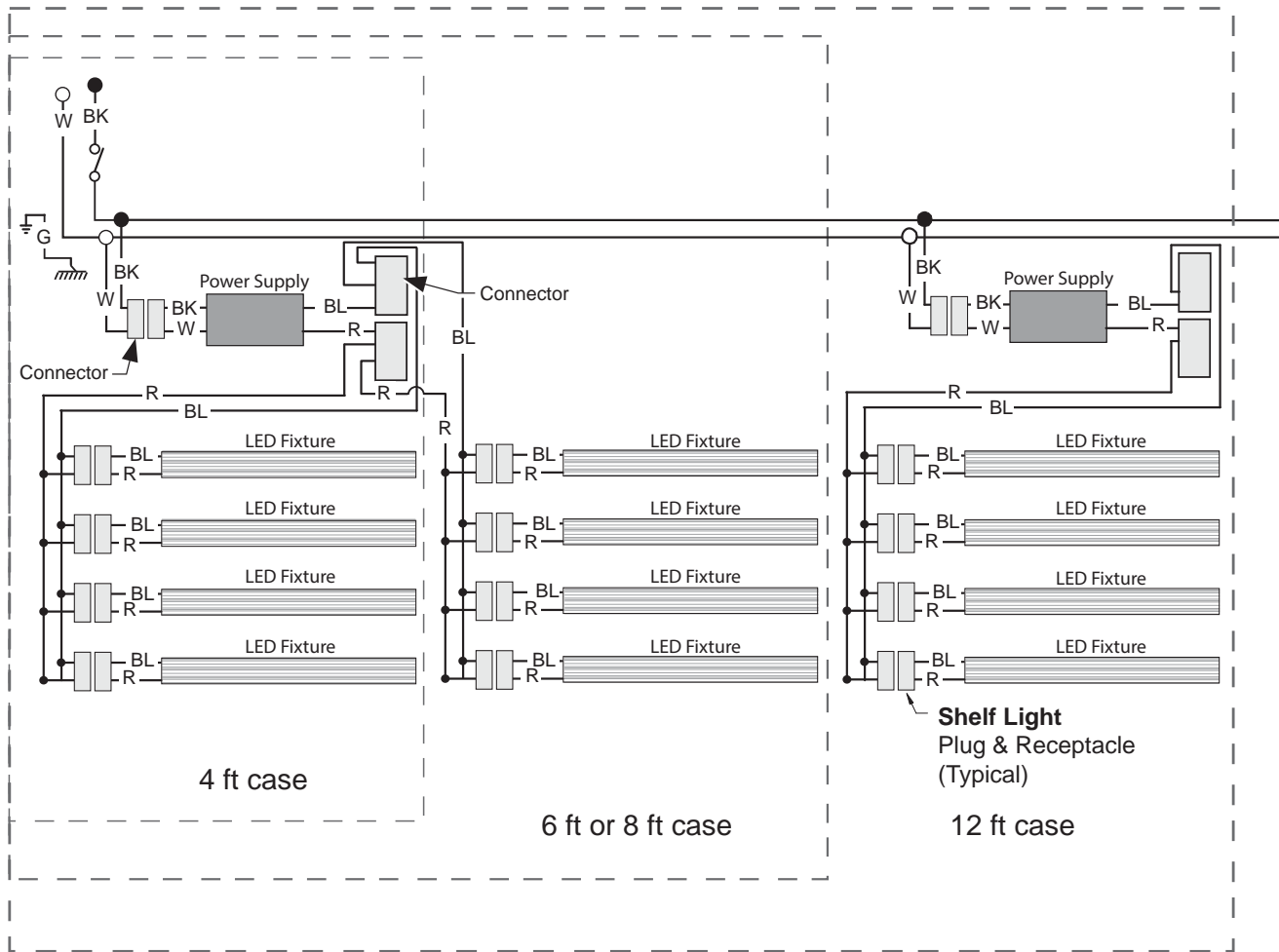


WARNING

All components must have mechanical ground, and the merchandiser must be grounded.

- R = Red Y = Yellow G = Green BL = Blue BK = Black W = White
 ● = 120V POWER ○ = 120V NEUTRAL ⊥ = FIELD GROUND *mm* = CASE GROUND

Optional Shelf Harness and LED Light Circuits for 4 Rows of Shelves



WARNING

All components must have mechanical ground, and the merchandiser must be grounded.

R = Red Y = Yellow G = Green BL = Blue BK = Black W = White
 ● = 120V POWER ○ = 120V NEUTRAL ⊥ = FIELD GROUND ≡ = CASE GROUND

Estimating Refrigeration and Electrical Load (for comparison purposes only)

Case Btu

To determine Btu for a case, refer to the performance data chart on page 2. Select lit or unlit shelves, then select the type of remote refrigeration system (parallel or conventional), which will give Btu/hr/ft. Multiply this number by the length of the case to determine Btu per hour.

Case Electrical

Refer to store legend to determine number of circuits. Lighting should be specified in store legend.

Fan electrical load for a case is computed by selecting the case length and fan voltage on page 6. For example, a 12 ft case uses 3 fans. The store legend specifies fans on a 230V circuit. In this instance, fans use 0.39 Amps and the MCA is 0.59. When applied, ambient fans, anti-sweat heaters, controllers, etc. must be included in the MCA. Include lights in the MCA if lights are on same circuit.

Lights may be on a separate circuit. To estimate lighting load: select case length (12 ft), canopy lighting [standard or optional] (here 0.70 for standard), and shelf or rail lighting [maximum for which case is wired] (0.99 for four shelves); then add together [0.48 + 0.99 = 1.47 amps for 120V] (for 230V, multiply 1.47 * 0.52 = 0.76).

Line Sizing — Refer to store legend.

Hussmann Line Sizing Charts are engineered for use with Hussmann refrigeration equipment.



Scan QR code to
access product
information on your
mobile device.

Revision History

Revision A: March 2014: Original Issue

Revision B: March 2014: Fixed location of shelf on cross section.

Revision C: December 2015: Updated cross section and plan view.

Revision D: April 2016: Updated cover image, updated application data, added Gross Refrigerated Volume and updated plan view.

Revision E: August 2016: Updated cross section and plan view.

Revision F: January 2017: Added rail light updates.

Revision G: March 2017: Updated defrost data.

Revision H: April 2017. Updated LED energy values.

Revision J: April 2017. Updated LED energy values.

Revision K: June 2017. Updated defrost frequency.

Revision L: September 2017. Updated notes page. Other changes marked with a bar, circle or underline.