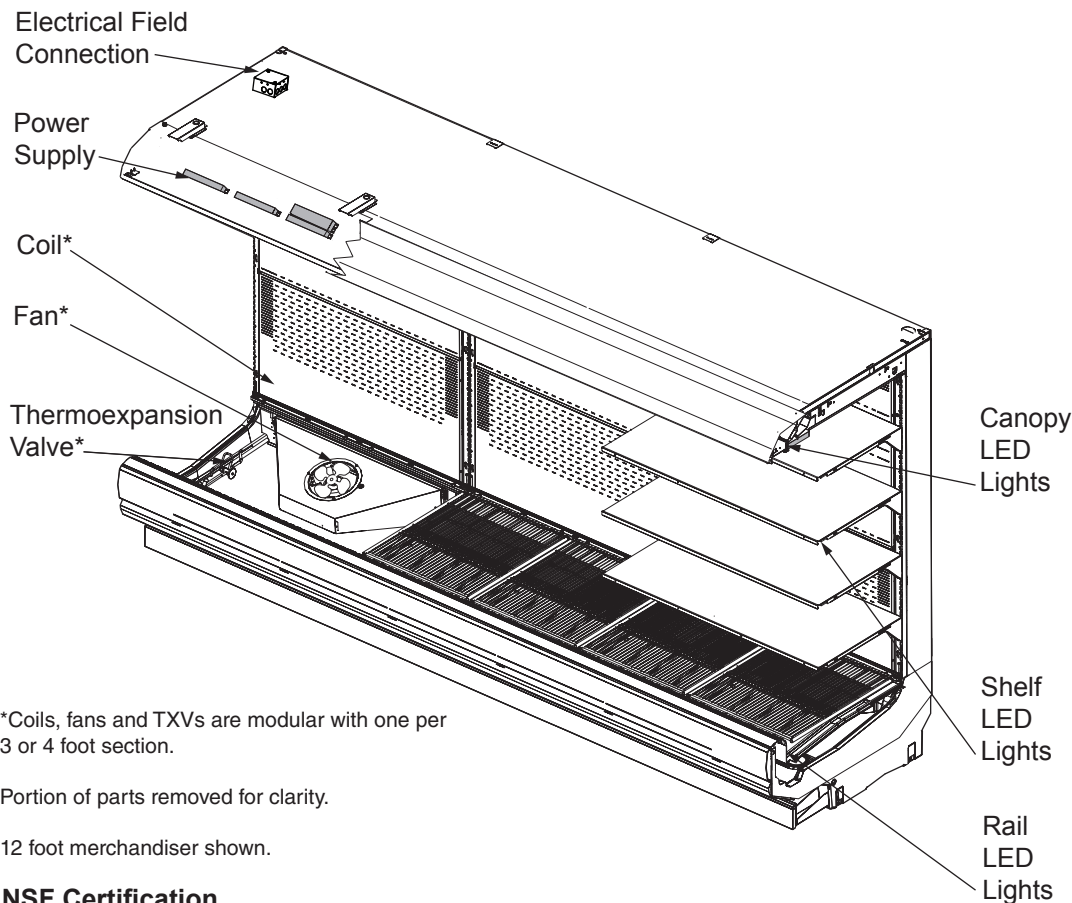


*Insight standard field electrical connections are at the top left of the merchandiser*

**DOE 2017**  
Energy Efficiency  
Compliant



\*Coils, fans and TXVs are modular with one per 3 or 4 foot section.

Portion of parts removed for clarity.

12 foot merchandiser shown.

**NSF Certification**

This merchandiser model is manufactured to meet NSF/ANSI (National Sanitation Foundation) Standard #7 requirements for construction, materials and cleanability.

Performance Data	Page 2	Estimated Shipping Weights	Page 6
Product Data (AHRI Statistics)	Page 2	Shelf Options	Page 6
Cross Section	Page 3	Wiring Diagrams	Page 7
Plan View	Page 4	Computing Refrigeration and Electrical Load	Page 10
Electrical Loads	Page 5	QR Code for Parts and Product Information	Page 10
		Revision History	Page 10

Data sheet-Insight ID5SL

We reserve the right to change or revise specifications and product design in connection with any feature of our products. Such changes do not entitle the buyer to corresponding changes, improvements, additions or replacements for equipment previously sold or shipped.

**Insight ID5SL**  
Dairy / Deli / Beverage /  
Produce / Meat

**Refrigeration Data <sup>1</sup>**

ID5SL		Optimal Shelf Life				Energy Comparison
Application		Dairy/Deli/ Beverage/ Produce	Convertible/ Meat	NSF Type 2 Ambient <sup>4</sup>	Pegs <sup>5</sup>	AHRI 1200 Rating Point <sup>6</sup>
<b>Unlit Shelves</b>	Discharge Air °F (°C)	32 (0)	31 (-0.55)	30 (-1.11)	30 (-1.11)	35 (1.66)
	Average Evaporator °F (°C) <sup>2</sup>	28 (-2.22)	27 (-2.77)	26 (-3.33)	26 (-3.33)	31 (-1.1)
	Parallel Btu/hr/ft (Watts/m) <sup>7</sup>	1020 (981)	1120 (1077)	1295 (1245)	1245 (1197)	955 (918)
	Conventional Btu/hr/ft (Watts/m) <sup>7</sup>	1115 (1072)	1220 (1173)	1410 (1356)	1360 (1308)	1040 (1000)
<b>Lit Shelves</b>	Discharge Air °F (°C)	31 (-0.55)	30 (-1.11)	29 (-1.66)	--	34 (1.11)
	Average Evaporator °F (°C) <sup>2</sup>	27 (-2.77)	26 (-3.33)	25 (-3.88)	--	30 (-1.11)
	Parallel Btu/hr/ft (Watts/m) <sup>7,8</sup>	1040 (1000)	1130 (1087)	1320 (1269)	--	965 (928)
	Conventional Btu/hr/ft (Watts/m) <sup>7,8</sup>	1135 (1091)	1230 (1183)	1440 (1385)	--	1055 (1014)
<b>Fan Speed<sup>9</sup></b>	ID5SL6 (8.25")	1300	1500 <sup>9</sup>	1500 <sup>9</sup>	1300	1300
	ID5SL4, 8, 12 (8.25")	1300	1500 <sup>9</sup>	1500 <sup>9</sup>	1300	1300

Notes:

- All data based on store temperature and humidity that does not exceed NSF Type 1 ambient conditions of 75°F and 55% relative humidity except where noted.
- Average evaporator temperature shown. Use dew point for high glide refrigerants for unit sizing. Care should be taken to use the dew point in PT tables for measuring and adjusting superheat. Adjust evaporator pressure as needed to maintain discharge air temperature shown.
- For DX CO<sub>2</sub> applications the average evaporator temperature may be lowered by 2°F but not more than 5°F. An EPR valve should be used if the system suction temperature is more than 5 degrees below the published case evaporator temperature. A 31°F flash tank temperature with a 24°F evaporator temperature is used when sizing default EEV selections to provide a minimum pressure drop across the valve of approximately 50 psig. For operating conditions that provide a pressure drop across the valve above 65 psig or below 35 psig, the electronic expansion valve size should be determined using the valve vendor sizing program and selected from the pull down list in the Hussmann Product Configurator (HPC).
- Data for operation in NSF Type 2 ambient of 80°F and 55% relative humidity.
- Hussmann Peg Shelves for Dairy/Deli applications only.
- AHRI 1200 Rating Point for energy consumption comparison only.
- Subtract 60 Btu/hr/ft (57.7 Watts/m) for front glass (on applicable models).
- Add 10 Btu/hr/ft (9.6 Watts/m) per shelf row for LED shelf light fixtures.
- Some lengths and/or applications require optional fan motor kits applied by the Hussmann Product Configurator (HPC).
- Reduce refrigeration load by 15% if fitted with CaseShieldPTM.

**Defrost Data**

Frequency (hours between defrost) 4

**OFFTIME** ID5SL  
Time (minutes) 20

**ELECTRIC OR GAS** Not Available

**Defrost Water <sup>11</sup>** 8.1 lb/ft/day  
(12 kg/m)

<sup>11</sup> (± 15% based on case configuration and product loading).

**Conventional Controls**

**ID5SL**  
**Low Pressure Backup Control CI/CO <sup>12</sup>**  
20°F / 10°F  
-6.67°C / -12.2°C

**Indoor Unit Only, Pressure Defrost Termination <sup>12</sup>**  
48°F (8.89°C)

<sup>12</sup> Use a Temperature Pressure Chart to determine PSIG conversions.

**Estimated Charge <sup>13</sup>**

	ID5SL	
<b>4 ft</b>	0.6 lb	10 oz
<b>6 ft</b>	1.1 lb	18 oz
<b>8 ft</b>	1.5 lb	24 oz
<b>12 ft</b>	2.9 lb	46 oz

<sup>13</sup> This is an average for all refrigerant types. Actual refrigerant charge may vary by approximately half a pound.

**Product Data**

**Gross Refrigerated Volume <sup>13</sup> (Cu Ft/Ft)** 11.5 ft<sup>3</sup>/ft (1.07 m<sup>3</sup>/m)

**AHRI Total Display Area <sup>14</sup> (Sq Ft/Ft)** 4.56 ft<sup>2</sup>/ft (1.39 m<sup>2</sup>/m)

**Shelf Area <sup>15</sup> (Sq Ft/Ft)** 9.85 ft<sup>2</sup>/ft (3.00 m<sup>2</sup>/m)

<sup>14</sup> AHRI Gross Refrigerated Volume: Refrigerated Volume/Unit of Length, ft<sup>3</sup>/ft [m<sup>3</sup>/m]

<sup>15</sup> Computed using AHRI 1200 standard methodology: Total Display Area, ft<sup>2</sup> [m<sup>2</sup>]/Unit of Length, ft [m]

<sup>16</sup> Shelf surface area is composed of bottom deck plus standard shelf complement for this model: (4) rows of 22-inch shelves

Insight Multideck Merchandiser, 5 Display Levels,  
Standard Bottom, Low Height Front

**Insight ID5SL**  
Dairy / Deli / Beverage /  
Produce / Meat

**DOE 2017**  
Energy Efficiency  
Compliant

Husmann refrigerated merchandisers configured for sale for use in the United States meet or surpass the requirements of the DOE 2017 energy efficiency standards.

Shelf complement shown as tested:  
  
Four rows of 22-in. shelves spaced equally between bottom display pan and interior top panel.

**ID5SL**

Dimensions shown as in. and (mm).

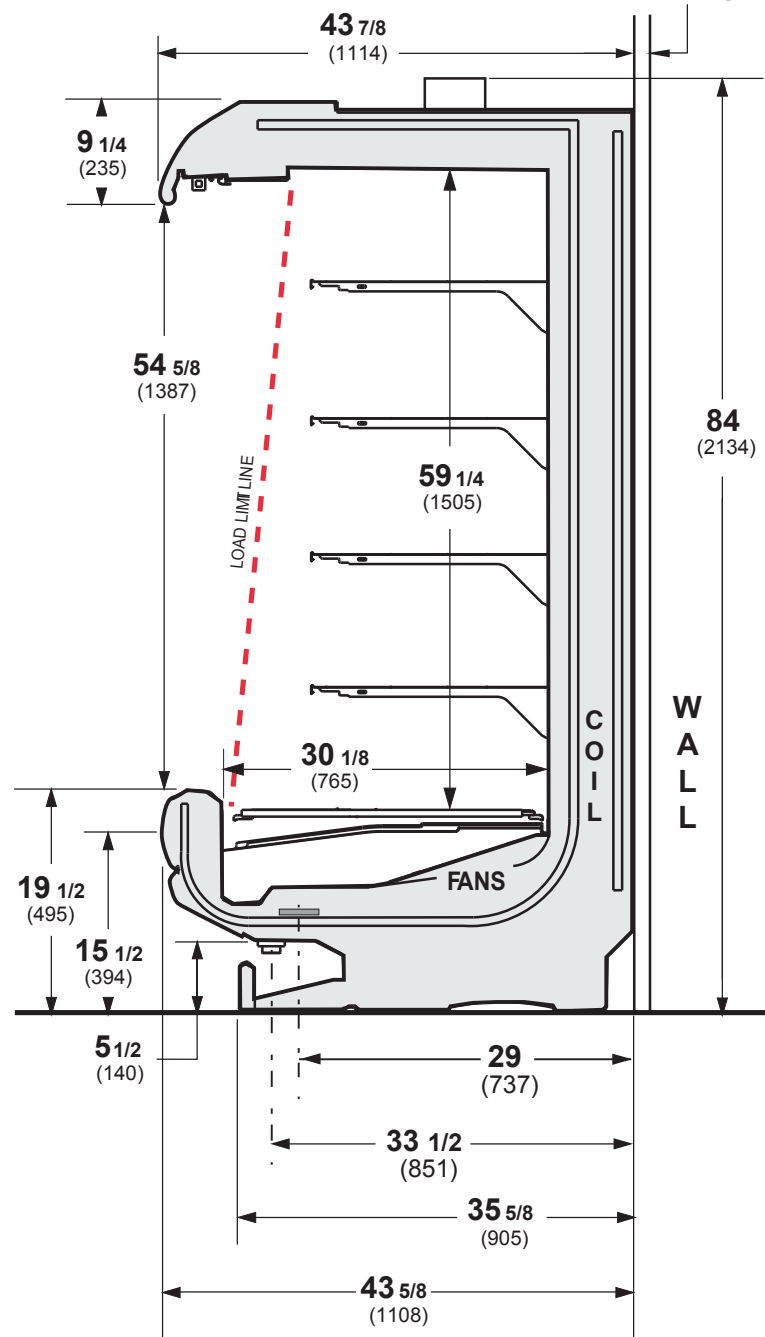
**Other optional kits (top piping and vent fans) add to the overall case height.**

**A minimum 1 1/2-in. clearance required to remove raceway cover, 6 1/2-in. for full access. See the Installation manual for instructions.**

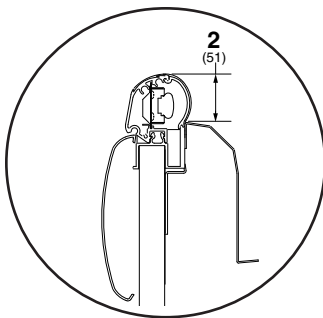
**3-in. between back to back cases.**

**Shown with Ellipse Option Canopy and Bumper.**

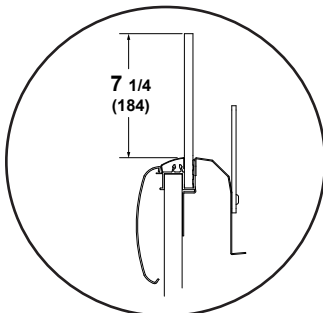
**1 1/2 In. (38 mm)  
Required  
Air Gap**



**OPTIONAL RAIL LIGHT**

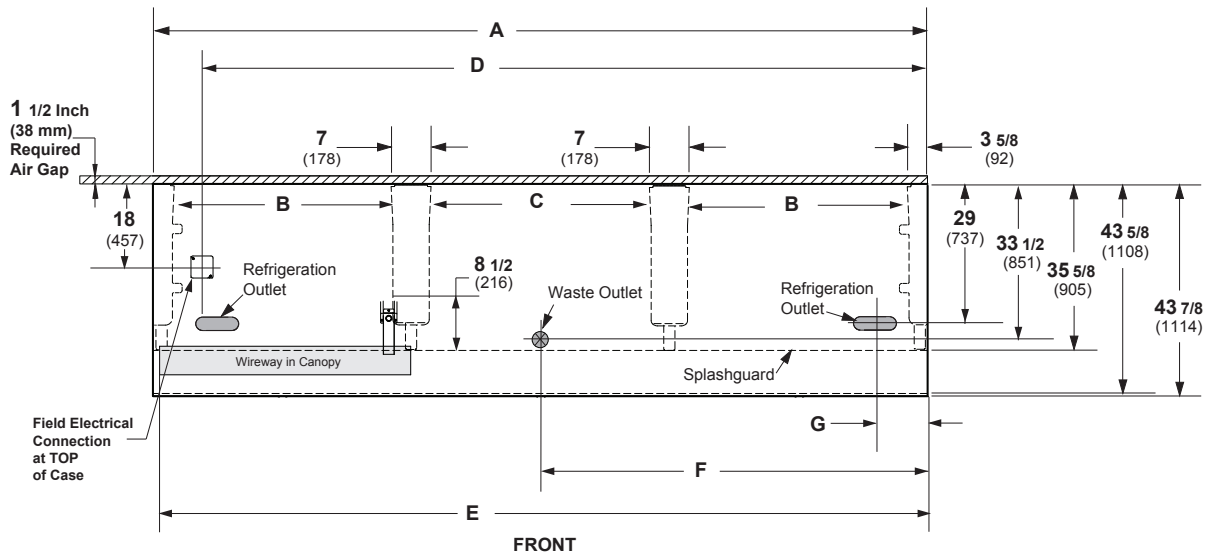


**OPTIONAL GLASS FRONT**



# Engineering Plan View

Dimensions shown as in. and (mm).



(12 Foot Model shown above)

	4 ft	6 ft	8 ft	12 ft
<b>General</b>				
(A) Case Length ( <i>without ends or partitions</i> ) (Each end and insulated partition adds 1 1/2 in. (38 mm) to case line up.)	48 1/8 (1222)	72 1/4 (1835)	96 1/4 (2445)	144 3/8 (3668)
Maximum O/S dimension of case back to front ( <i>includes bumper</i> )	43 5/8 (1108)	43 5/8 (1108)	43 5/8 (1108)	43 5/8 (1108)
Back of case to front of splashguard	35 5/8 (905)	35 5/8 (905)	35 5/8 (905)	35 5/8 (905)
(B) Distance between edges of external legs and center legs	NA	29 (737)	41 (1041)	41 (1041)
(C) Distance between edges of center legs	41 1/8 (1045)	NA	NA	41 1/8 (1045)
Distance between front legs and splashguard	8 (203)	8 (203)	8 (203)	8 (203)
<b>Electrical Service</b> ( <i>Field Electrical Wiring Connection</i> )				
(D) RH End of case to center of Field Electrical Wiring Connection ( <i>top of case</i> )	39 3/8 (1000)	63 1/2 (1613)	87 1/2 (2223)	135 1/2 (3442)
Back of case to center of Field Electrical Wiring Connection	18 (457)	18 (457)	18 (457)	18 (457)
Length of electrical wireway	44 5/8 (1133)	33 1/2 (851)	45 7/8 (1165)	45 7/8 (1165)
(E) RH end of case to LH end of electrical wireway ( <i>top of case</i> )	46 1/2 (1181)	70 1/2 (1791)	94 1/2 (2400)	142 5/8 (3630)
<b>Waste Outlets</b>				
(F) RH End of case to the center of waste outlet	24 1/8 (613)	24 1/8 (613)	24 1/8 (613)	72 1/4 (1835)
Back O/S of case to center of waste outlet(s)	33 1/2 (851)	33 1/2 (851)	33 1/2 (851)	33 1/2 (851)
Schedule 40 PVC drip pipe	1 1/4 (32)	1 1/4 (32)	1 1/4 (32)	1 1/4 (32)
<b>Refrigeration Outlet</b>				
(G) Back of case to center of refrigeration outlet	29 (737)	29 (737)	29 (737)	29 (737)
End of case to center of refrigeration outlet	8 1/2 (216)	8 1/2 (216)	8 1/2 (216)	8 1/2 (216)

## Electrical Data

Number of Fans	4 ft	6 ft	8 ft	12 ft
8.25-in.	1	2	2	3

Evaporator Fan	Amperes				Watts			
	4 ft	6 ft	8 ft	12 ft	4 ft	6 ft	8 ft	12 ft
120V 60Hz Energy Efficient	0.25	0.50	0.50	0.75	16	32	32	48
230V 50/60Hz Energy Efficient	0.13	0.26	0.26	0.39	16	32	32	48

Minimum Circuit Ampacity				
120V 60Hz Energy Efficient	0.45	0.70	0.70	0.95
230V 50/60Hz Energy Efficient	0.33	0.46	0.46	0.59

Maximum Over Current Protection 120V	20	20	20	20
Maximum Over Current Protection 230V	15	15	15	15

## Lighting

ONLY LIGHTING CONFIGURATIONS THAT ARE COMPLIANT WITH THE U.S. DEPT. OF ENERGY (DOE) 2017 REGULATION ARE AVAILABLE FOR SALE FOR USE IN THE U.S.A.

	Amperes				Watts			
	4 ft	6 ft	8 ft	12 ft	4 ft	6 ft	8 ft	12 ft
<b>STANDARD LED LIGHTING</b>								
<b>LED Canopy Lights</b>								
1 Row	0.16	0.22	0.31	0.47	19	27	38	57
<b>OPTIONAL LED LIGHTING</b>								
2 Rows of Canopy Lights	0.32	0.44	0.62	0.94	38	54	76	114
<b>LED SHELF LIGHTING</b>								
1 Row of Shelves	0.06	0.07	0.11	0.17	7	9	13	20
2 Rows of Shelves	0.11	0.15	0.22	0.33	13	18	27	40
3 Rows of Shelves	0.17	0.22	0.33	0.50	20	27	40	60
4 Rows of Shelves	0.22	0.30	0.44	0.67	27	36	53	80
5 Rows of Shelves	0.28	0.37	0.56	0.83	33	44	67	100
6 Rows of Shelves	0.33	0.44	0.67	1.00	40	53	80	120
<b>LED Rail Light</b>								
1 Row	0.06	0.07	0.11	0.17	7	9	13	20

120V Lighting Circuit Total = Standard Lighting + Total Optional Lighting + Optional Shelf Lighting

230V Lighting Circuit Total = Multiply 120V Lighting Circuit Total by 0.52

**Insight ID5SL**  
 Dairy / Deli / Beverage /  
 Produce / Meat

**ENDS or PARTITIONS**

*Each standard end and each insulated partition adds 1 1/2 in. (38 mm) to case line up. Optional view end with end bumper adds 3 3/4 in. (95 mm).*

**PHYSICAL DATA**

Merchandiser Drip Pipe (in.)	1 1/4
Schedule 40 PVC	
Merchandiser Liquid Line (in.)	3/8
Merchandiser Suction Line (in.)	5/8

**ESTIMATED SHIPPING WEIGHT †**

Case	4 ft	6 ft	8 ft	12 ft	Solid End (each)
<b>lb (kg)</b>	700 (318)	850 (386)	1000 (454)	1100 (499)	80 (36)

† Actual weights will vary according to optional kits included.

**Shelf Options**

Approved shelf sizes for standard (horizontal, 2-3 position brackets) displays:

- 18-inch
- 20-inch
- 22-inch
- 24-inch

Contact engineering for non-standard (4 position brackets or other) display recommendations.

Minimum number of Shelves:3

Optimal number of Shelves:4

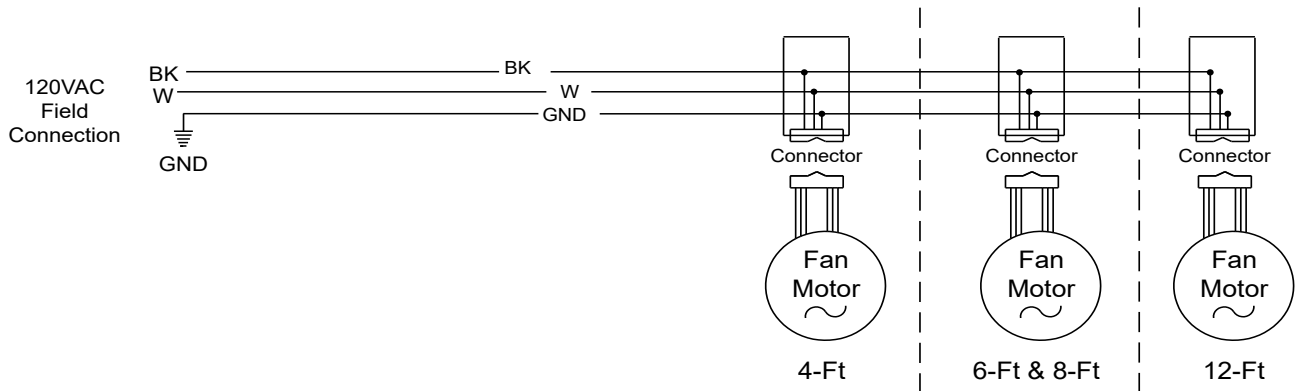
Maximum number of Shelves:8

Maximum number of Lighted Shelves:6

Standard shelf complement for test purposes: (4) 22-in. shelves, evenly distributed vertically

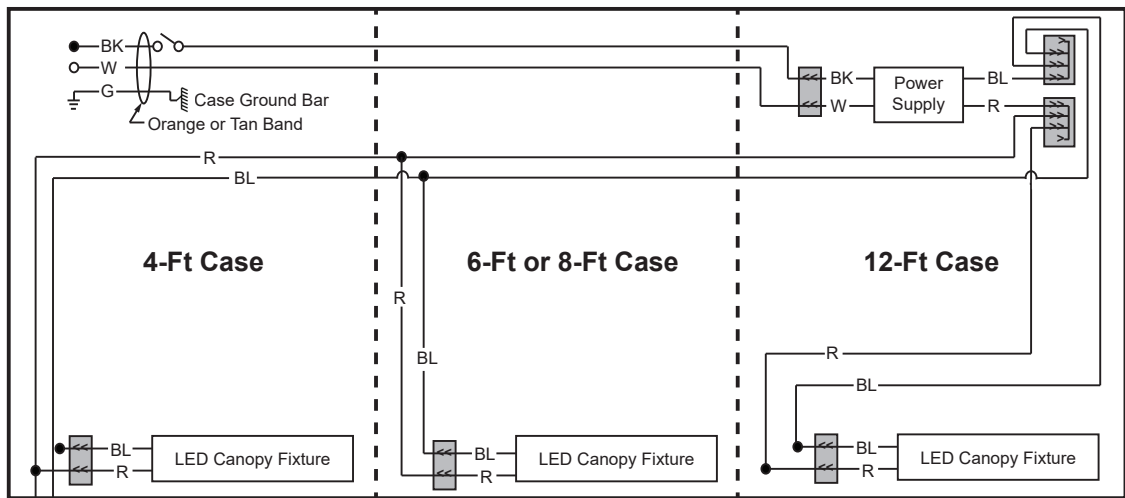
# Fan Wiring Offtime Defrost Wiring Diagram

**Insight ID5SL**  
Dairy / Deli / Beverage /  
Produce / Meat

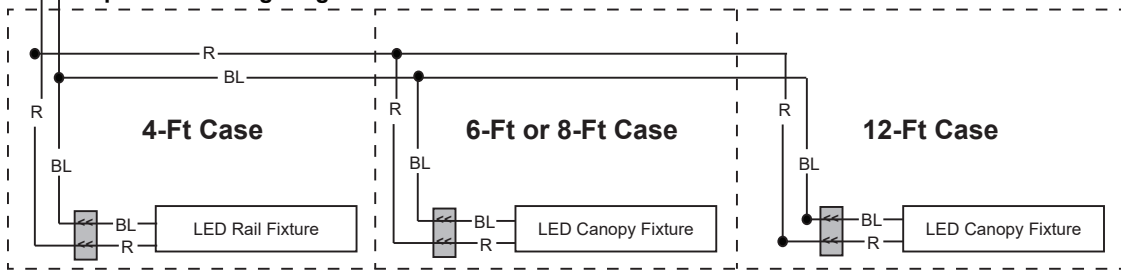


# LED Canopy Lights Wiring Diagram

## LED Canopy Lighting - 2 Rows



## Optional LED Lighting - LED Rail - 1 Row

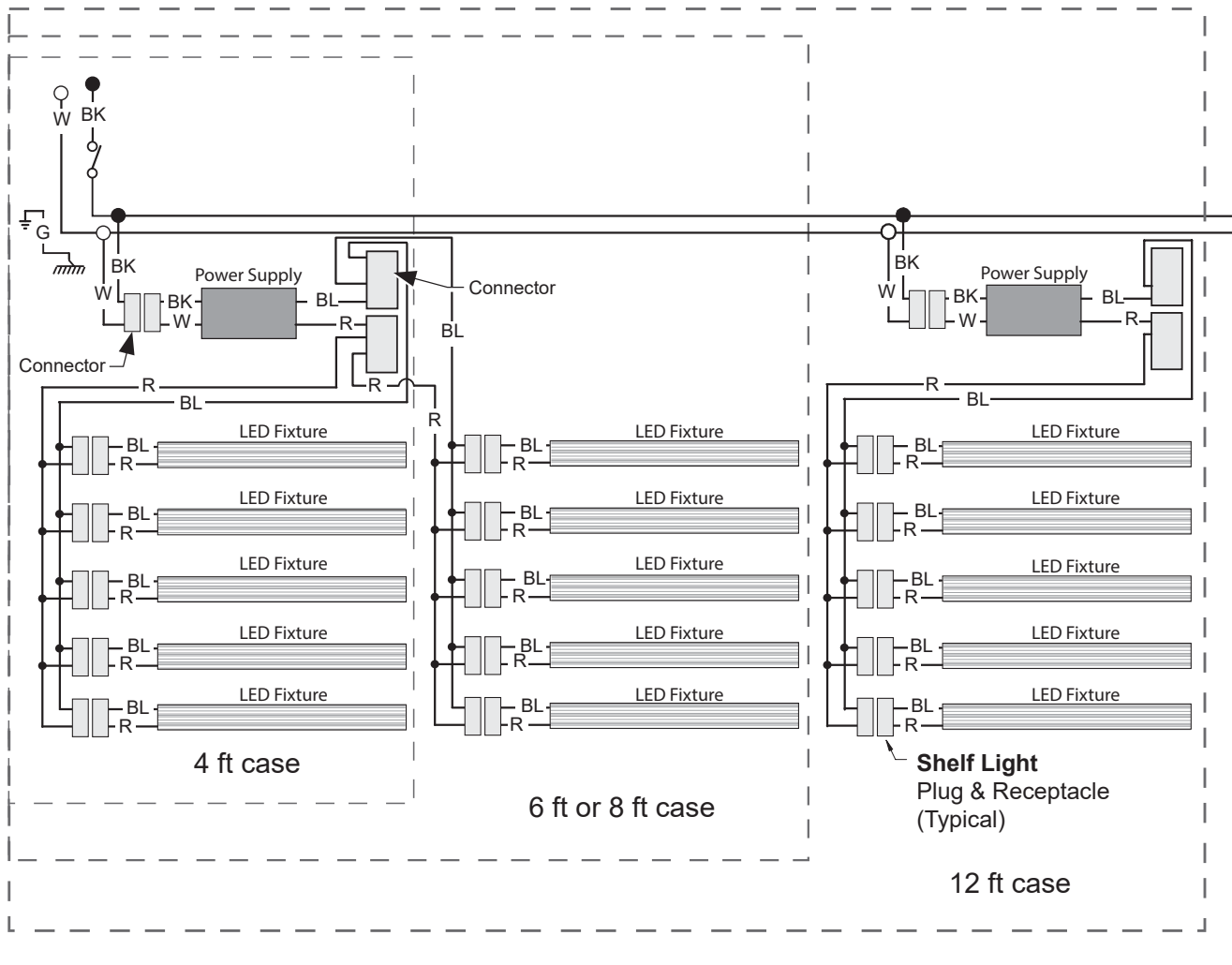


### WARNING

All components must have mechanical ground, and the merchandiser must be grounded.

R = Red    Y = Yellow    G = Green    BL = Blue    BK = Black    W = White  
 ● = 120V POWER    ○ = 120V NEUTRAL    ⚡ = FIELD GROUND    ▨ = CASE GROUND

**Shelf Harness and LED Light Circuits for 4 or 5 Rows of Shelves**



**WARNING**

All components must have mechanical ground, and the merchandiser must be grounded.

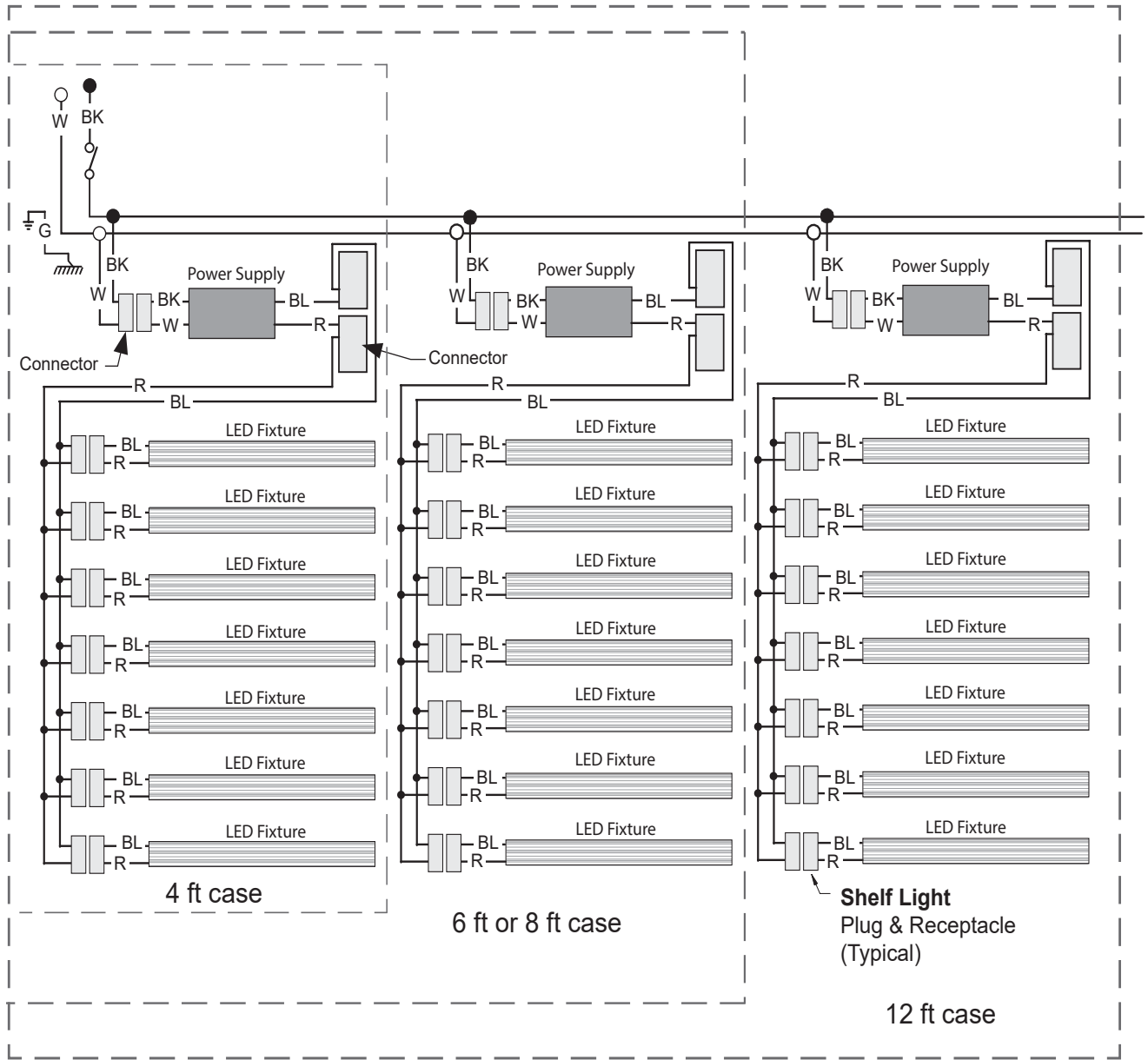
R = Red    Y = Yellow    G = Green    BL = Blue    BK = Black    W = White  
 ● = 120V POWER    ○ = 120V NEUTRAL    ⏚ = FIELD GROUND    ⏚ = CASE GROUND



# LED Shelf Lighting Wiring Diagram

**Insight ID5SL**  
Dairy / Deli / Beverage /  
Produce / Meat

## Shelf Harness and LED Light Circuits for 6 or 7 Rows of Shelves



### WARNING

All components must have mechanical ground, and the merchandiser must be grounded.

R = Red    Y = Yellow    G = Green    BL = Blue    BK = Black    W = White  
 ● = 120V POWER    ○ = 120V NEUTRAL    ⚡ = FIELD GROUND    mmmm = CASE GROUND

## Estimating Refrigeration and Electrical Load (for comparison purposes only)

### Case Btu

To determine Btu for a case, refer to the performance data chart on page 2. Select lit or unlit shelves, then select the type of remote refrigeration system (parallel or conventional), which will give Btu/hr/ft. Multiply this number by the length of the case to determine Btu per hour. Add 10 BTU per foot per hour for each row of LED shelf lights.

### Case Electrical

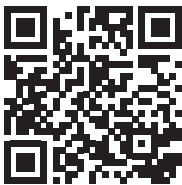
Refer to store legend to determine number of circuits. Lighting should be specified in store legend.

Fan electrical load for a case is computed by selecting the case length and fan voltage on page 6. For example, a 12 ft case uses 3 fans. The store legend specifies fans on a 230V circuit. In this instance, fans use 0.39 Amps and the MCA is 0.59. When applied, ambient fans, anti-sweat heaters, controllers, etc. must be included in the MCA. Include lights in the MCA if lights are on same circuit.

Lights may be on a separate circuit. To estimate lighting load: select case length (12 ft), canopy lighting [standard or optional] (here 0.70 for standard), and shelf or rail lighting [maximum for which case is wired] (1.48 for six shelves); then add together  $[0.48 + 1.48 = 1.96 \text{ amps for } 120\text{V}]$  (for 230V, multiply  $1.96 * 0.52 = 1.02$ ).

### Line Sizing — Refer to store legend.

Hussmann Line Sizing Charts are engineered for use with Hussmann refrigeration equipment.



Scan the QR code with your mobile device to access additional product information or order parts.

Parts may also be ordered at:

**parts.hussmann.com**

**Call toll free: 1.855.487.7778**

---

## Revision History

Revision A: August 2013: Original Issue

Revision B: October 2015: Updated application data.

Revision C: December 2015: Updated cross section and plan view.

Revision D: April 2016: Updated cover image, updated application data, added Gross Refrigerated Volume and updated plan view.

Revision E: August 2016: Updated the Gross Refrigerated Volume, cross section and plan view.

Revision F: January 2017: Added rail light updates.

Revision G: April 2017: Updated LED energy values.

Revision H: April 2017: Updated LED energy values.

Revision J: June 2017: Updated footnotes.

Revision K: September 2017: Updated notes page.

Revision L: January 2019: Removed light notes.

Revision M: July 2019: Updated parts list, lighting and CaseShieldPTM.

Revision N: January 2023: Added CO<sub>2</sub> note, Page 2.

Revision P: November 2023: Updated fan and lighting information.