

Item No. \_\_\_\_\_



# MD4060DAA

Self-Contained, Multi-Deck Medium Temperature Merchandiser

### Advantages

- Glass ends for side visibility.
- Heavy-duty, anti-microbial door handles.
- High efficacy LED vertical lighting for canopy available.
- Easy to clean interior and exterior with clean-out drain.
- Easy to service slide out condensing unit.
- Timer controlled automatic defrost and thermometer.
- Product visibility is improved with 29" vertical LED lighting for evenly illuminated merchandise throughout display area.
- State-of-the-art honeycomb discharge air system assures even temperature and maximum efficiency.
- Adjustable temperature control.
- Aluminum fins and tubes help minimize corrosion.  
2" foamed in-place insulation with high density polyurethane insulation zero ozone depletion potential.

### Standard

- Black Interior / Exterior / Bumper
- Doors (2)
- Shelves 18"
- LED Vertical Lighting PTM
- View End Panels
- Air Discharge
- Insulation
- Leg Levelers
- Condensate Pan

### Options

- Additional shelving.
- Choice of exterior colors.
- Wrap-around bumper.
- Side bumpers (specify color).
- Leg and caster kits, cross bar and hook display.



AIA #

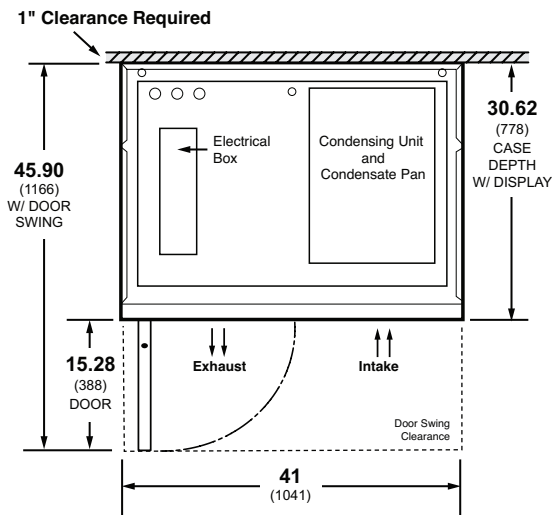
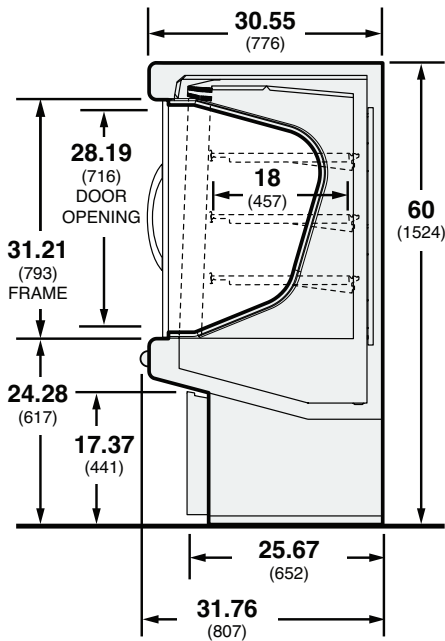
## Hussmann Corporation

12999 St. Charles Rock Rd.  
Bridgeton, MO 63044-2483  
Ph: 800.592.2060

www.hussmann.com

# MD4060DAA

Self-Contained, Multi-Deck Medium Temperature Merchandiser



AIA #

Model	L	D	H	Disch. Air	In/Ex	Ref.	Volts	Run Amps	Cord Length	Weight	Env.
<b>MD4060DA</b> 2 doors	41-5/16"	30-7/16"	60-1/4"	27-30°F	F/F	R290	115	1.85	108 in (2743 mm)	434	NSF Type II

Bidding specifications

NEMA 5-15P



[MORE INFO](#)

For more detailed information scan or click above.

We reserve the right to change or revise specifications and product design in connection with any feature of our products. Such changes do not entitle the buyer to corresponding changes, improvements, additions, or replacements for equipment previously sold or shipped. For additional resources, contact your representative or visit [www.hussmann.com](http://www.hussmann.com).

**HUSSMANN**<sup>®</sup>  
FOODSERVICE

12999 St. Charles Rock Rd.  
Bridgeton, MO 63044-2483  
Ph: 800.592.2060

[www.hussmann.com](http://www.hussmann.com)