



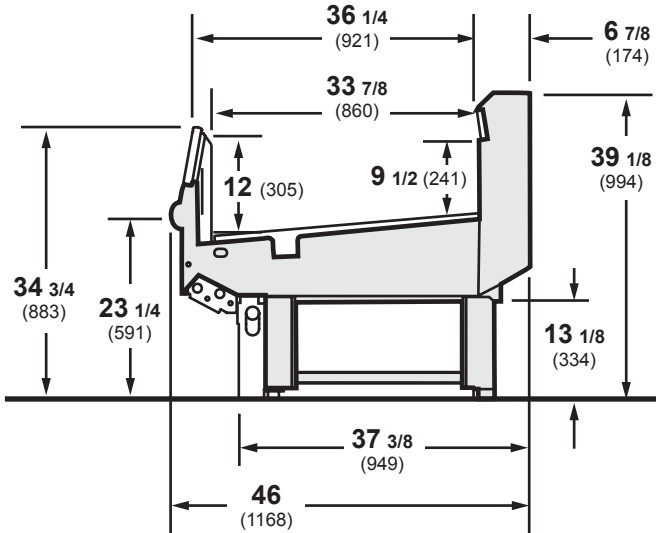
B1X-GE

Excel High Volume, Single-Deck
Bulk Display Merchandiser

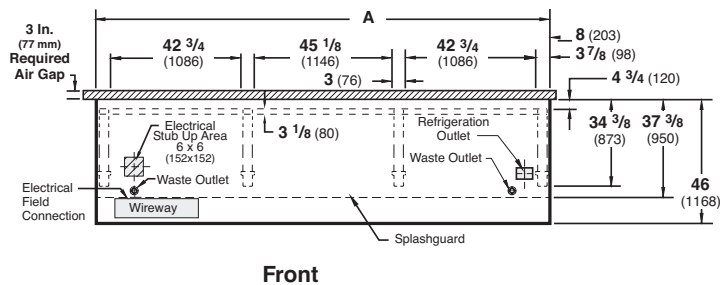
Hussmann Excel High Volume, Single-Deck Bulk Display Merchandiser for Meats, Cheeses, Deli and Bulk Produce Applications

B1X-GE - Bulk, Single-Deck, Extended Depth, Glass Front

Available in 8' and 12' lengths. Contact your sales rep for information on possible availability of additional case lengths.



Plan View



Dimensions	8 FT	12 FT
A	96 3/8 (2448)	144 1/2 (3670)

Notes:
Case-to-case electrical connections are made in front of splashguard.
Overall case length without ends or partitions. Contact your sales representative for information on possible availability of additional case lengths.

Note

Use Hussmann's technical data sheets to get precise dimensions for all store layout purposes.

Single-Deck Bulk Applications.

Hussmann is growing its popular Excel bulk case line with the single deck B1X-GE. This glass front display is great for high volume, fast turn-around applications in heavy traffic retail food stores.

High Capacity Merchandising.

The B1X-GE is 46-inch deep front to back, compared to 42-inch in a standard MIX single deck model. This allows almost 4-inch of additional front to back merchandising space, which helps reduce the number of restocks needed. It also has 12-inch of interior vertical merchandising depth in front, 10-3/8-inch in back.

Fast, Easy Restocking.

The B1X-GE can be used to display medium temperature products such as hams, whole smoked meats, cheese blocks and other large, pre-packaged items. Since it is an open single-deck, it is both fast and easy to reload. Further, its rugged design includes heavy-duty display pans and product stops that can handle the weight and rapid movement of large items.

Accessories.

- Stainless steel interior kit.
- Heavy-duty metal display pans.
- Stainless steel display pans.
- Streamline or contour styling.
- Telescoping wire shelf.
- Contoured ends.
- Diamond plate ends.

DOE 2017 Energy Efficiency Compliant Hussmann refrigerated merchandisers configured for sale for use in the United States meet or surpass the requirements of the DOE 2017 energy efficiency standards.

NOTE: These merchandisers are designed for use in stores when temperature and humidity do not exceed 75°F and 55% R.H.

NOTE: We reserve the right to change or revise specifications and product design in connection with any feature of our products. Such changes do not entitle the buyer to corresponding changes, improvements, additions, or replacements for equipment previously sold or shipped.

For additional resources, contact your representative or visit www.hussmann.com.

HUSSMANN®

Hussmann Corporation
 12999 St. Charles Rock Rd.
 Bridgeton, MO 63044-2483
 Ph: 314.291.2000

www.hussmann.com