



C5X-E

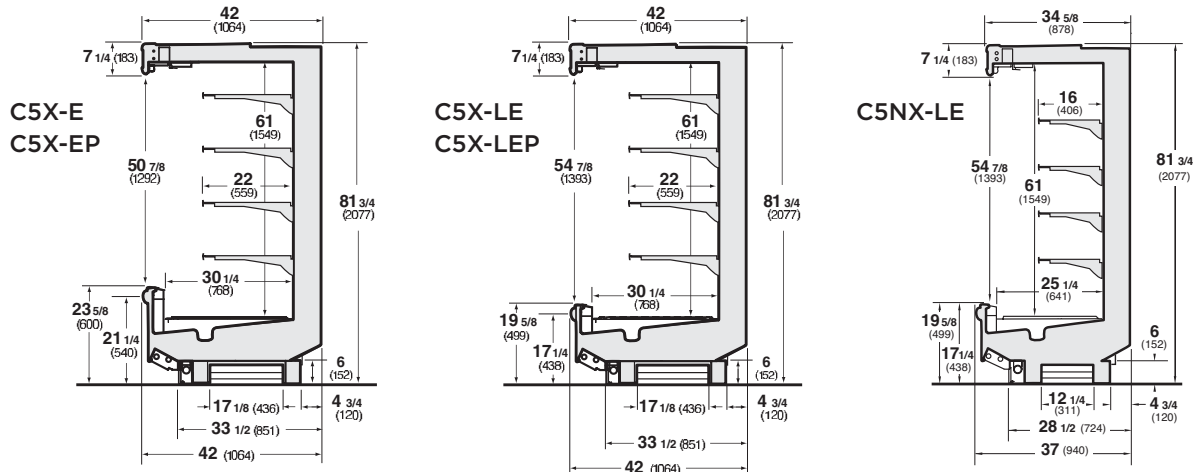
C5X-E, C5X-EP, C5X-LE, C5X-LEP, C5NX-LE

Excel Multi-Deck Convertible Merchandisers
for All Medium Temperature Applications

Hussmann Excel Multi-Deck Convertible Merchandisers for All Medium Temperature Applications

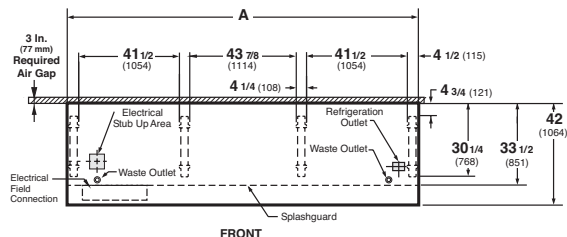
C5X-E, C5X-EP - Multi-Deck Convertible with Standard Front Height
C5X-LE, C5X-LEP - Multi-Deck Convertible with Low Front Height
C5NX-LE - Multi-Deck Convertible with Narrow Footprint

Available in 8' and 12' lengths. Contact your sales rep for information on possible availability of additional case lengths.



Plan Views

C5X-E, C5X-EP, C5X-LE, and C5X-LEP

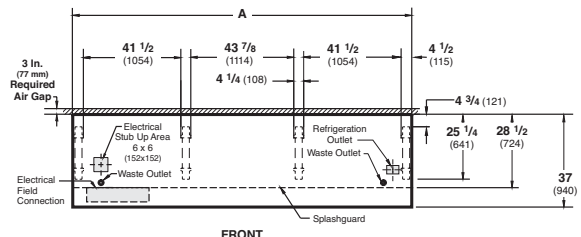


Dimension	8 FT	12 FT
A	96 3/8 (2448)	144 1/2 (3670)

Notes:

Case-to-case electrical connections are made in front of splashguard.
 Overall case length without ends or partitions.

C5NX-LE



Dimension	8 FT	12 FT
A	96 3/8 (2448)	144 1/2 (3670)

Notes:

Case-to-case electrical connections are made in front of splashguard.
 Overall case length without ends or partitions.

Note

Use Hussmann's technical data sheets to get precise dimensions for all store layout purposes.

Superior Merchandising.

The C5X provides large display capacity in a high performance convertible merchandiser. Ideal for any medium temperature product application. Optional lighted canopy signs add an attention getting merchandising dimension. Full view glass ends are optionally available to increase product visibility.

Lower Energy Costs.

High efficiency coils are standard, and integrated night curtains are optionally available to further reduce energy costs.

Superior Shelf Life.

Modular coils and off-time defrost work to reduce thermal shock and stabilize product temperatures.

Superior Reliability.

Our five year modular coil warranty is the best available.



NOTE: These merchandisers are designed for use in stores when temperature and humidity do not exceed 75°F and 55% R.H.

NOTE: We reserve the right to change or revise specifications and product design in connection with any feature of our products. Such changes do not entitle the buyer to corresponding changes, improvements, additions, or replacements for equipment previously sold or shipped.

For additional resources, contact your representative or visit www.hussmann.com.

HUSSMANN®

Hussmann Corporation
 12999 St. Charles Rock Rd.
 Bridgeton, MO 63044-2483
 Ph: 314.291.2000

www.hussmann.com