



D5NX-LE

D5NX-E, D5NX-EP, D5NX-LE, D5NX-LEP

Excel Narrow Footprint Multi-Deck
Dairy/Deli Display Merchandiser
for Dairy and Deli Applications

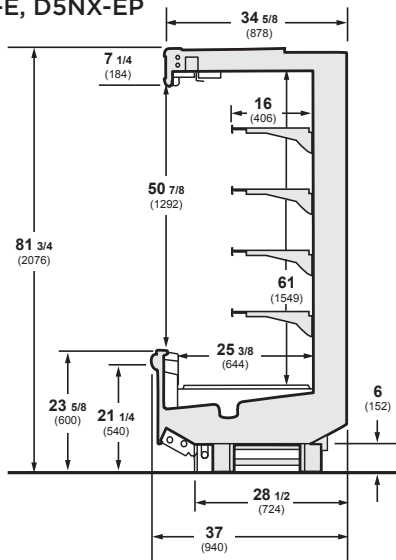
Hussmann Excel Narrow Footprint Multi-Deck Display for Dairy and Deli Applications

D5NX-E D5NX-LE
D5NX-EP D5NX-LEP

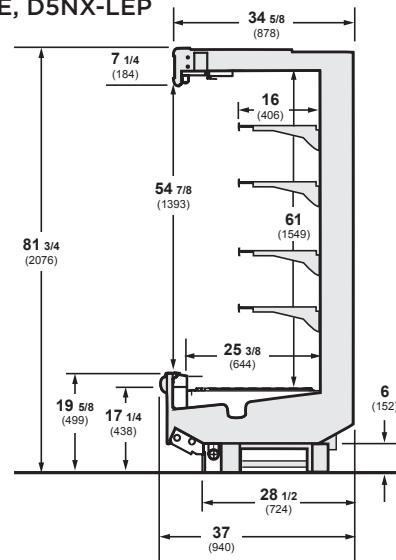
Available in 8' and 12' lengths. Contact your sales rep for information on possible availability of additional case lengths.

E = Energy Efficient Coil **L** = Low Front
EP = E Plus, Extra High Efficiency Coil **H** = High Front
N = Narrow Footprint

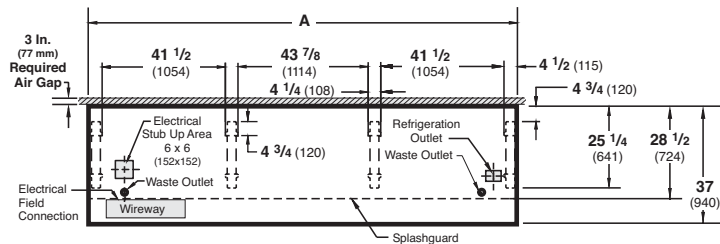
D5NX-E, D5NX-EP



D5NX-LE, D5NX-LEP



Plan View -



Notes:

Case-to-case electrical connections are made in front of splashguard.

Overall case length without ends or partitions.

Dimensions	8 FT	12 FT
A	96 3/8 (2448)	144 1/2 (3670)

Note

Use Hussmann's technical data sheets to get precise dimensions for all store layout purposes.

Superior Merchandising

The D5NX Narrow Footprint family was designed to help you merchandise and sell while saving floor space. Superior display features include full vision glass ends, improved ledge lighting, greater shelf placement flexibility and more. Streamline and contour styling available.

Lower Energy Costs

Excel D5NX cases come with energy efficient "E" coils as standard on "E" models. The super efficient E-Plus coils on "EP" models reduce energy costs by about 18% compared to standard Impact dairy. Night curtains can be added to help trim about 12.6% more off your energy costs for this case.

Superior Shelf Life

Modular coils and off-time defrost work to reduce thermal shock and stabilize product temperatures. Modular defrost (optional) can further stabilize temperatures.

DOE 2017 Energy Efficiency Compliant Hussmann refrigerated merchandisers configured for sale for use in the United States meet or surpass the requirements of the DOE 2017 energy efficiency standards.

NOTE: These merchandisers are designed for use in stores when temperature and humidity do not exceed 75°F and 55% R.H.

NOTE: We reserve the right to change or revise specifications and product design in connection with any feature of our products. Such changes do not entitle the buyer to corresponding changes, improvements, additions, or replacements for equipment previously sold or shipped.

For additional resources, contact your representative or visit www.hussmann.com.



Hussmann Corporation
12999 St. Charles Rock Rd.
Bridgeton, MO 63044-2483
Ph: 314.291.2000

www.hussmann.com