



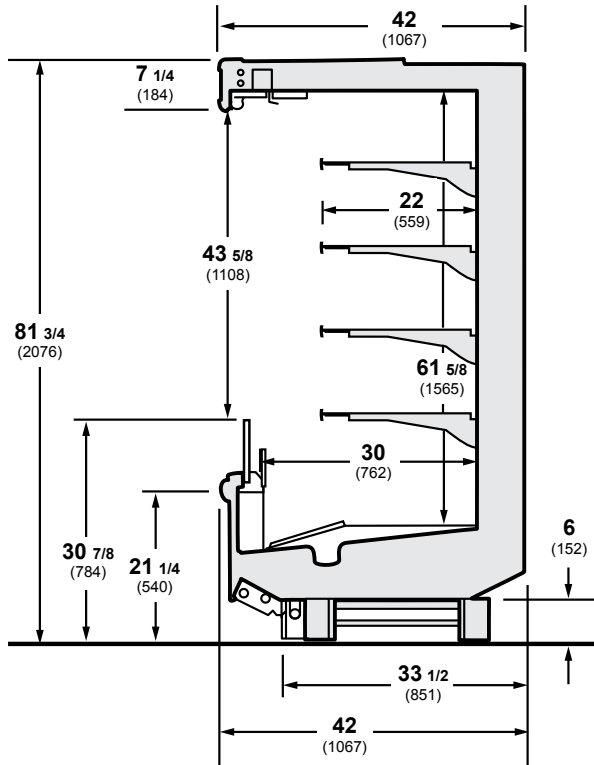
## D5X-GE

Excel Multi-Deck Dairy/Deli Display Merchandiser  
with Glass Front for Dairy and Deli Applications

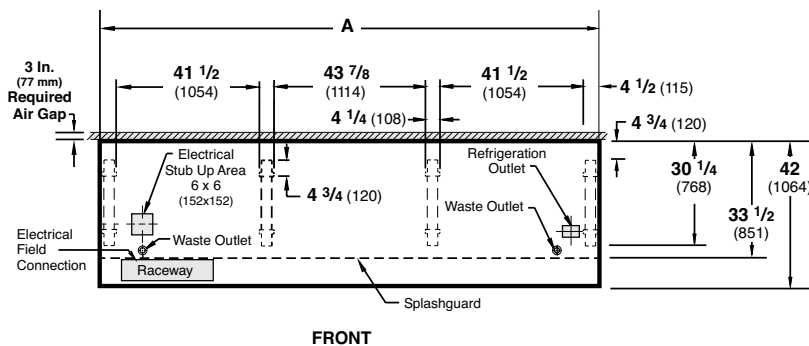
# Husmann Excel Multi-Deck Display with Glass Front for Dairy and Deli Applications

## D5X-GE - Dairy, 5-Deck, Excel, Glass Front, Energy Efficient Coil

Available in 8' and 12' lengths. Contact your sales rep for information on possible availability of additional case lengths.



### Plan View



Dimensions	8 FT	12 FT
A	96 3/8 (2448)	144 1/2 (3670)

**Note:**  
Overall case length without ends or partitions. Contact your sales representative for information on possible availability of additional case lengths.

### Note

Use Husmann's technical data sheets to get precise dimensions for all store layout purposes.

### Superior Merchandising

The D5X-GE was designed to help you merchandise and sell. Superior display features include optional full vision glass ends, improved ledge lighting, greater shelf placement flexibility and more. Streamline and Contour styling available.

### Lower Energy Costs

Excel D5X cases come with energy efficient "E" coils as standard. Night curtains can be added to help trim about 12.6% more off your energy costs for this case.

### Superior Shelf Life

Modular coils and off-time defrost work to reduce thermal shock and stabilize product temperatures. Modular defrost (optional) can further stabilize temperatures.

**DOE 2017 Energy Efficiency Compliant** Husmann refrigerated merchandisers configured for sale for use in the United States meet or surpass the requirements of the DOE 2017 energy efficiency standards.

**NOTE:** These merchandisers are designed for use in stores when temperature and humidity do not exceed 75°F and 55% R.H.

**NOTE:** We reserve the right to change or revise specifications and product design in connection with any feature of our products. Such changes do not entitle the buyer to corresponding changes, improvements, additions, or replacements for equipment previously sold or shipped.

For additional resources, contact your representative or visit [www.husmann.com](http://www.husmann.com).

**HUSSMANN®**

**Husmann Corporation**  
12999 St. Charles Rock Rd.  
Bridgeton, MO 63044-2483  
Ph: 314.291.2000

[www.husmann.com](http://www.husmann.com)