



D6X-ULEP

# D5X-ULEP, D6X-ULEP

Excel Ultra Low Front, High Capacity Multi-Deck  
Dairy Merchandiser

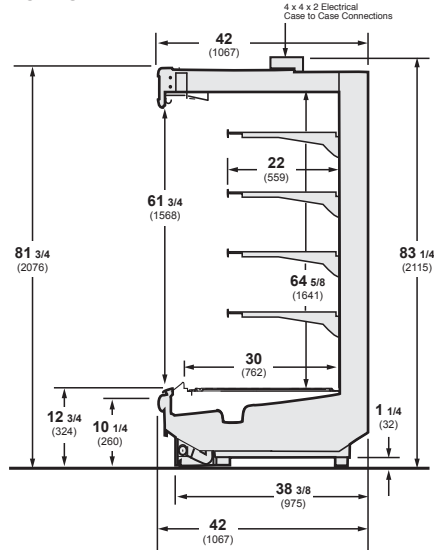
# Hussmann Excel Ultra Low Front, High Capacity Multi-Deck Merchandiser for Dairy Applications

## D5X-ULEP - Ultra Low Front, Traditional Height

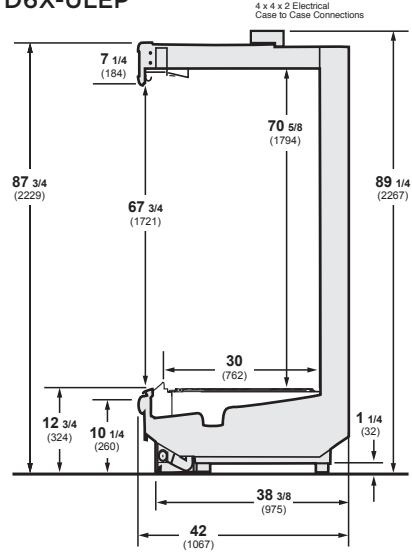
## D6X-ULEP - Ultra Low Front, Extended Height

Available in 8' and 12' lengths. Contact your sales rep for information on possible availability of additional case lengths.

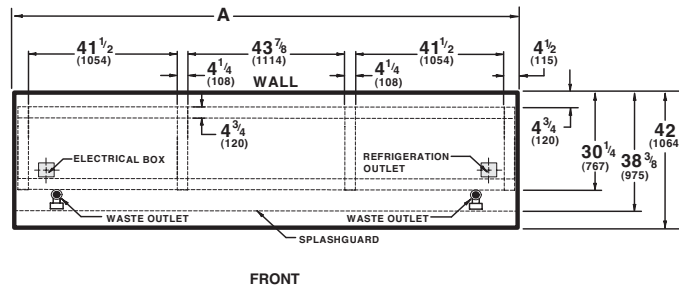
### D5X-ULEP



### D6X-ULEP



### Plan View



Dimension	8 FT	12 FT
A	96 3/8 (2448)	144 1/2 (3670)

**Notes:**  
All field wiring connection points are above the case. Case-to-case connections are made in the electrical box at the top of the case.

Overall case length without ends or partitions.

### Note

Use Hussmann's technical data sheets to get precise dimensions for all store layout purposes.

### Ultra Low Front for a Wall of Product.

The Ultra Low Front Dairy case helps you create a total "Wall of Product" in your dairy/deli departments. Front height has been lowered until it is virtually even with the bottom display racks. Shoppers have a full view of all product facings, top to bottom. Now you can maximize the merchandising opportunity without increasing footprint.

### Excel Styling Options.

The D5X-ULEP and D6X-ULEP are available with streamline, contour or lighted canopy options to let you create the look that works best for you. These styling options let you maximize your merchandising effectiveness.

### Superior Shelf Life.

With the Ultra Low Front Dairy, great refrigeration performance keeps food fresh. Modular coils with off-time defrost keep refrigerated temperatures extremely stable, reducing thermal shock.

### Superior Reliability.

Our five year modular coil warranty is the best available. Pre-set adjustable expansion valves are designed to hold optimal temperatures.



Hussmann refrigerated merchandisers configured for sale for use in the United States meet or surpass the requirements of the DOE 2017 energy efficiency standards.

NOTE: These merchandisers are designed for use in stores when temperature and humidity do not exceed 75°F and 55% R.H.

NOTE: We reserve the right to change or revise specifications and product design in connection with any feature of our products. Such changes do not entitle the buyer to corresponding changes, improvements, additions, or replacements for equipment previously sold or shipped.

For additional resources, contact your representative or visit [www.hussmann.com](http://www.hussmann.com).

# HUSSMANN®

Hussmann Corporation  
12999 St. Charles Rock Rd.  
Bridgeton, MO 63044-2483  
Ph: 314.291.2000

[www.hussmann.com](http://www.hussmann.com)