

---

# D5X-URLE, D6X-URLE

Excel Multi-Deck, Ultra Low Front, Rear Load Merchandiser  
for Dairy and Deli Applications

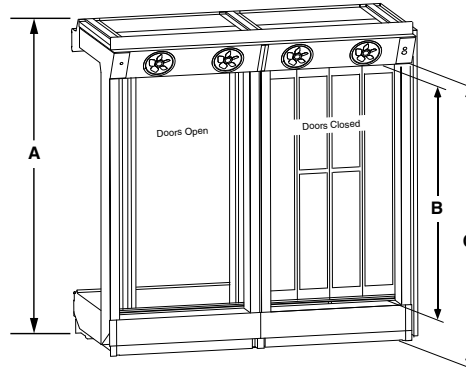
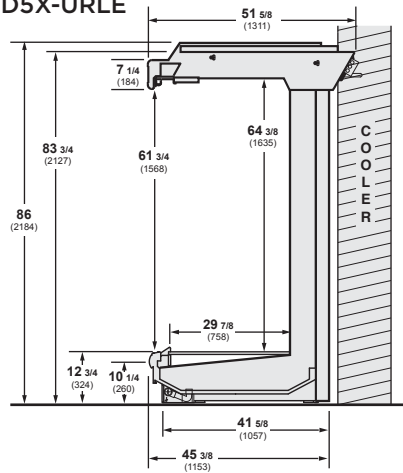
# Husmann Excel Multi-Deck, Ultra Low Front, Rear Load Merchandiser for Dairy and Deli Applications

**D5X-URLE** - Dairy, 5-Deck, Ultra Low Front, Rear Load

**D6X-URLE** - Dairy, 6-Deck, Ultra Low Front, Rear Load

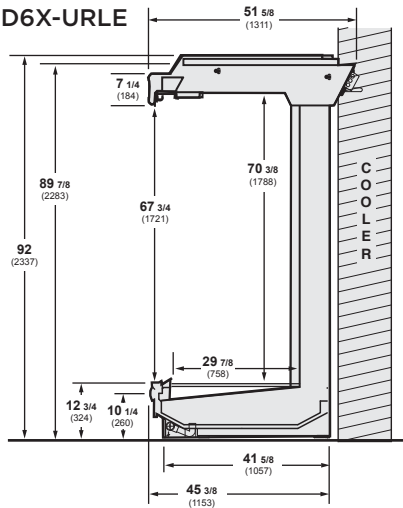
Available in 8' and 12' lengths. Contact your sales rep for information on possible availability of additional case lengths.

## D5X-URLE

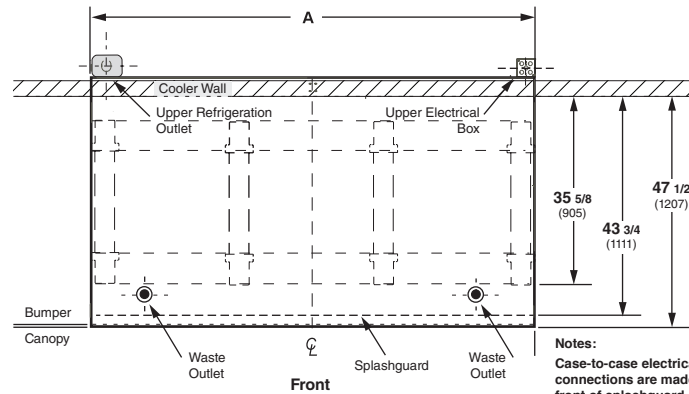


Dimensions	D5X-URLE	D6X-URLE
A	86 (2184)	92 (2337)
B	62 1/2 (1558)	69 1/2 (1765)
C	74 1/4 (1886)	80 7/8 (2054)

## D6X-URLE



## Plan View



Dimensions	8 FT	12 FT
A	96 3/8 (2448)	144 1/2 (3670)

**Notes:**  
Case-to-case electrical connections are made in front of splashguard.  
Overall case length without ends or partitions.

## Note

Use Husmann's technical data sheets to get precise dimensions for all store layout purposes.

## Stocking from Cooler

The DD5X-URLE and DD6X-URLE mount to a cooler so they can be quickly stocked from inside the cooler. Telescoping rear sliding doors provide easy access to rear of shelves.

## Ultra Low Front

The ultra low front maximizes product facings and creates a wall of merchandise. 5- and 6-deck models available.

## Superior Reliability

Excellent 5 year modular coil warranty.



Husmann refrigerated merchandisers configured for sale for use in the United States meet or surpass the requirements of the DOE 2017 energy efficiency standards.

NOTE: These merchandisers are designed for use in stores when temperature and humidity do not exceed 75°F and 55% R.H.

NOTE: We reserve the right to change or revise specifications and product design in connection with any feature of our products. Such changes do not entitle the buyer to corresponding changes, improvements, additions, or replacements for equipment previously sold or shipped.

For additional resources, contact your representative or visit [www.husmann.com](http://www.husmann.com).

# HUSMANN®

**Husmann Corporation**  
12999 St. Charles Rock Rd.  
Bridgeton, MO 63044-2483  
Ph: 314.291.2000

[www.husmann.com](http://www.husmann.com)