



E1

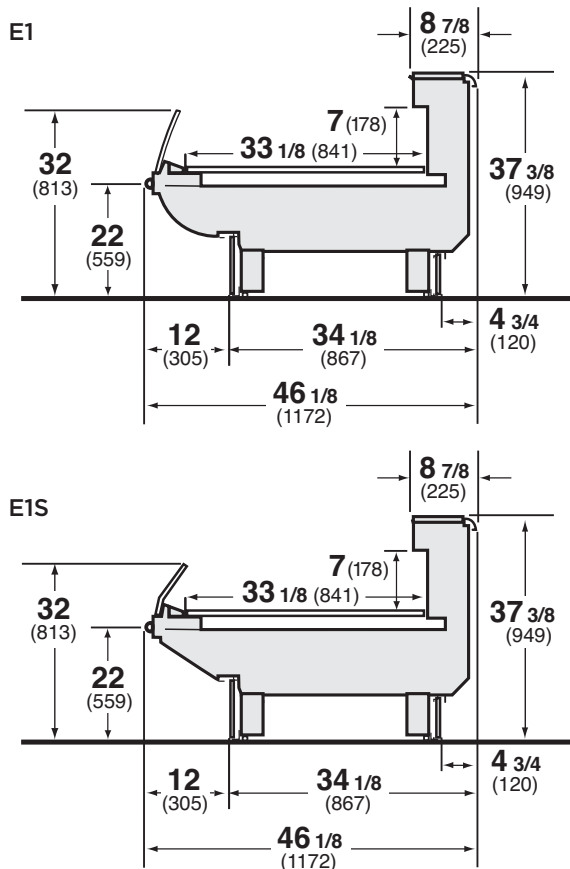
E1, E1S

Elite Self-Serve, Single-Deck Display Merchandisers for Deli, Pizza, Cheese, and Salad Applications

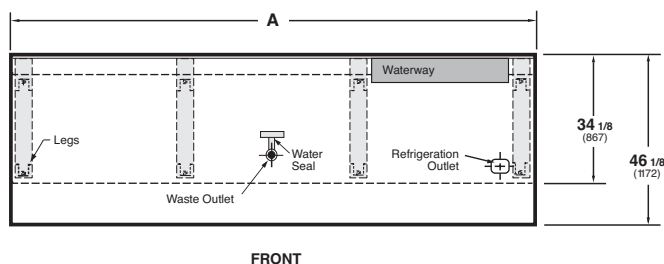
Hussmann Elite Self-Serve, Single-Deck Display Merchandisers for Deli, Pizza, Cheese, and Salad Applications

E1 - Self-Serve, Single-Deck with Curved Front Glass
E1S - Self-Serve, Single-Deck with Straight Front Glass

Available in 8' and 12' lengths. Contact your sales rep for information on possible availability of additional case lengths.



Plan View



Dimensions	8 FT	12 FT
A	96 3/8 (2448)	144 1/2 (3670)

Notes:
 Overall case length without ends or partitions. Contact your sales representative for information on possible availability of additional case lengths.

Note

Use Hussmann's technical data sheets to get precise dimensions for all store layout purposes.

Merchandising Excellence.

The E1 and E1S combine beauty and simplicity in a single-deck self-service platform that is an open invitation to impulse buying. These self-serve designs can present cold grab-n-go meals, deli products, cheeses, prepared salads, and much more. Flexible options such as slant decks, plexiglass step inserts, ledge lighting, wedges and more all work to serve up your choice of superior merchandising capabilities.

Elite Styling.

Dramatic appearance with uncompromising attention to detail is a hallmark of Elite. The E1 and E1S bring this heightened style sense to an attention-getting single-deck display platform that can help you promote high margin specialty items. Perfect for self-serve ready-to-cook or ready-to-eat cold deli items.

Proven Performance.

Superior refrigeration and energy efficiency are two key reasons for the success of Hussmann Elite. Hussmann has now applied this advanced refrigeration technology to the Elite line, giving you better product temperatures, lower energy costs, fewer refrigerant leaks and easier cleaning and maintenance.

At last, advanced styling plus world-class performance and energy efficiency... that's Elite.

DOE 2017 Energy Efficiency Compliant Hussmann refrigerated merchandisers configured for sale for use in the United States meet or surpass the requirements of the DOE 2017 energy efficiency standards.

NOTE: These merchandisers are designed for use in stores when temperature and humidity do not exceed 75°F and 55% R.H.

NOTE: We reserve the right to change or revise specifications and product design in connection with any feature of our products. Such changes do not entitle the buyer to corresponding changes, improvements, additions, or replacements for equipment previously sold or shipped.

For additional resources, contact your representative or visit www.hussmann.com.

HUSSMANN®

Hussmann Corporation
 12999 St. Charles Rock Rd.
 Bridgeton, MO 63044-2483
 Ph: 314.291.2000

www.hussmann.com