



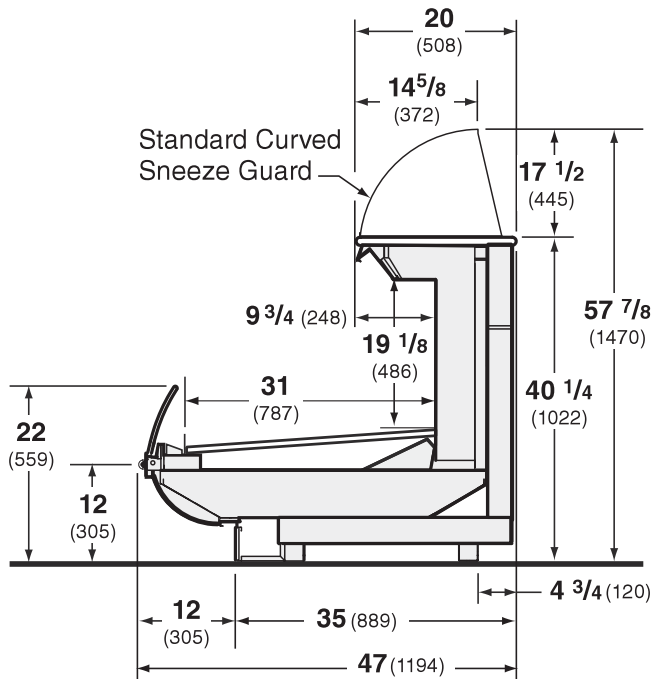
## E2SP

Elite Self-Serve, Multi-Deck Display  
Merchandiser with Prep Top

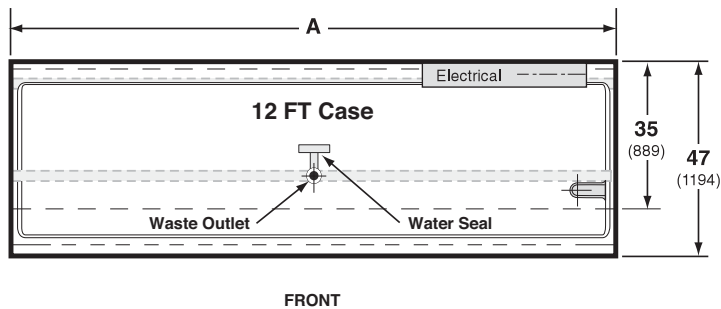
# Husmann Elite Self-Serve, Multi-Deck Display Merchandiser with Prep Top for Food Preparation Applications

## E2SP - Self-Serve, Three-Level, Top Prep Area

Available in 8' and 12' lengths. Contact your sales rep for information on possible availability of additional case lengths.



## Plan View



Dimensions	8 FT	12 FT
A	96 1/4 (2445)	144 3/8 (3667)

### Notes:

Case-to-case electrical connections are made in front of splashguard.

Overall case length without ends or partitions. Contact your sales representative for information on possible availability of additional case lengths.

### Note

Use Husmann's technical data sheets to get precise dimensions for all store layout purposes.

## Merchandising Excellence.

The E2SP provides superior flexibility for both merchandising and food preparation. A three-level, self-service display area topped off with various options for food prep give you a complete food production and display environment. With the E2SP you can prepare, merchandise and sell deli items, pizza, salads, sushi, meals-to-go, and more. Rear storage and various prep tops are just some of the many options available.

## Elite Styling.

Dramatic appearance with uncompromising attention to detail is a hallmark of Elite. The E2SP is stylish yet functional, with a visually appealing display area and prominent food prep counter that can bring a touch of theatre to your deli prep operations.

## Proven Performance.

The superior refrigeration and energy efficiency of Excel are now part of every Elite case. This advanced technology provides better product temperatures, lower energy costs, fewer refrigerant leaks, and easier cleaning and maintenance.

At last, advanced styling plus world-class performance and energy efficiency... that's Elite.

**DOE 2017 Energy Efficiency Compliant** Husmann refrigerated merchandisers configured for sale for use in the United States meet or surpass the requirements of the DOE 2017 energy efficiency standards.

NOTE: These merchandisers are designed for use in stores when temperature and humidity do not exceed 75°F and 55% R.H.

NOTE: We reserve the right to change or revise specifications and product design in connection with any feature of our products. Such changes do not entitle the buyer to corresponding changes, improvements, additions, or replacements for equipment previously sold or shipped.

For additional resources, contact your representative or visit [www.husmann.com](http://www.husmann.com).

**HUSSMANN®**

**Husmann Corporation**  
12999 St. Charles Rock Rd.  
Bridgeton, MO 63044-2483  
Ph: 314.291.2000

[www.husmann.com](http://www.husmann.com)