



E2S

---

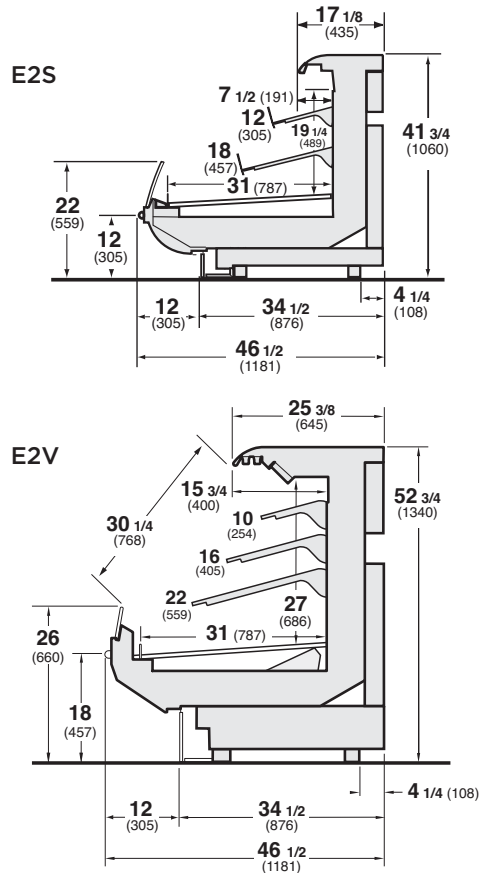
## E2S, E2V

Elite Self-Serve, Multi-Deck Display  
Merchandisers for Deli, Cheese, Pizza,  
and Prepared Food Applications

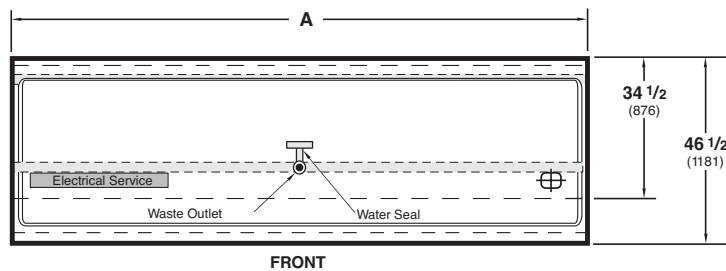
# Hussmann Elite Self-Serve, Multi-Deck Display Merchandisers for Deli, Cheese, Pizza, and Prepared Food Applications

**E2S - Self-Serve, Three-Level**  
**E2V - Self-Serve, Four-Level**

Available in 8' and 12' lengths. Contact your sales rep for information on possible availability of additional case lengths.



## Plan View



Dimensions	8 FT	12 FT
A	96 1/4 (2445)	144 3/8 (3667)

**Notes:**  
 Overall case length without ends or partitions. Contact your sales representative for information on possible availability of additional case lengths.

## Note

Use Hussmann's technical data sheets to get precise dimensions for all store layout purposes.

## Merchandising Excellence

The E2S and E2V create highly flexible merchandising opportunities tailored to your creative needs. These multi-level, self-serve designs can present grab-n-go meals, deli products, pizza, cheeses, and much more. The E2V is taller, allowing additional row of shelves.

## Elite Styling

Dramatic appearance with uncompromising attention to detail is a hallmark of Elite. The E2S and E2V bring this heightened style sense to your specialty shopping environment in a self-serve, multi-deck platform.

## Proven Performance

Hussmann has now applied advanced refrigeration technology to the Elite line, giving you better product temperatures, lower energy costs, fewer refrigerant leaks, and easier cleaning and maintenance.

At last, advanced styling plus world-class performance and energy efficiency... that's Elite.

**DOE 2017 Energy Efficiency Compliant** Hussmann refrigerated merchandisers configured for sale for use in the United States meet or surpass the requirements of the DOE 2017 energy efficiency standards.

NOTE: These merchandisers are designed for use in stores when temperature and humidity do not exceed 75°F and 55% R.H.

NOTE: We reserve the right to change or revise specifications and product design in connection with any feature of our products. Such changes do not entitle the buyer to corresponding changes, improvements, additions, or replacements for equipment previously sold or shipped.

For additional resources, contact your representative or visit [www.hussmann.com](http://www.hussmann.com).

**HUSSMANN®**

**Hussmann Corporation**  
 12999 St. Charles Rock Rd.  
 Bridgeton, MO 63044-2483  
 Ph: 314.291.2000

[www.hussmann.com](http://www.hussmann.com)