



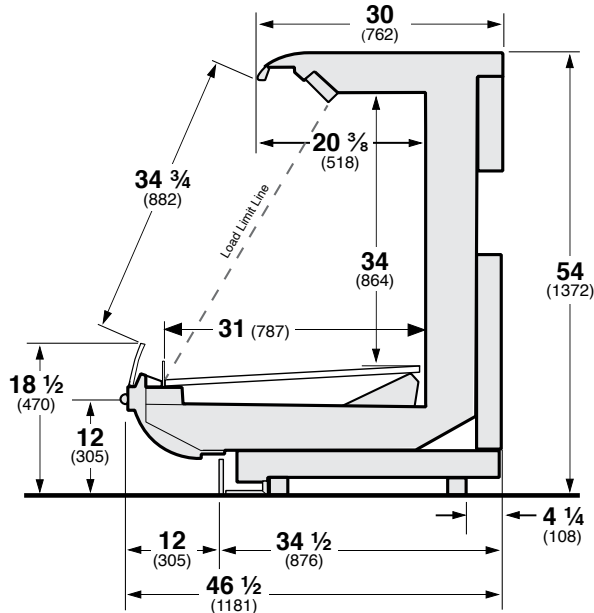
E3S

Elite Self-Serve, Multi-Deck Display Merchandisers
with Extended Canopy for Deli, Pizza, Prepared Foods,
and Produce Applications

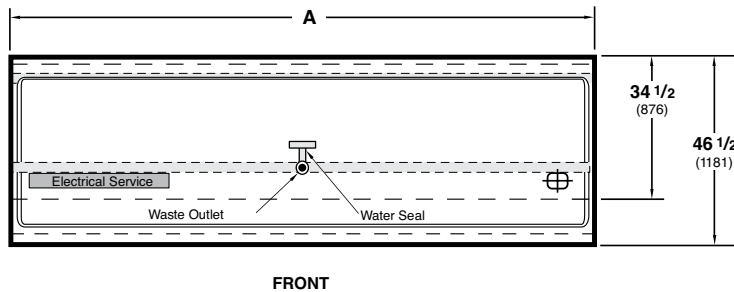
Hussmann Elite Self-Serve, Multi-Deck Displays with Extended Canopy for Deli, Pizza, Prepared Foods and Produce Applications

E3S – Self-Serve, Four-Level, Extended Canopy

Available in 8' and 12' lengths. Contact your sales rep for information on possible availability of additional case lengths.



Plan View



Dimensions	8 FT	12 FT
A	96 1/4 (2445)	144 3/8 (3667)

Notes:

Overall case length without ends or partitions. Contact your sales representative for information on possible availability of additional case lengths.

Note

Use Hussmann's technical data sheets to get precise dimensions for all store layout purposes.

Merchandising Excellence

The E3S self-serve multi-deck case gives you the perfect styling, performance, and display capacity for your specialty merchandising needs. The extended canopy can accommodate a peg display, allowing the flexibility of complementary hanging products. Up to three shelves can be flat or tilted to provide even more merchandising flexibility.

Elite Styling

Dramatic appearance with uncompromising attention to detail is a hallmark of Elite. The E3S creates a style and quality statement that adds value to the specialty shopping experience, helping you increase sales, and customer loyalty.

Proven Performance

The superior refrigeration and energy efficiency of Excel are now part of every Elite case. This advanced technology provides better product temperatures, lower energy costs, fewer refrigerant leaks, and easier cleaning and maintenance.

Lower Labor Cost

Labor-saving features include greater clearance under the case, easy-to-clean bathtub bottom with no coil in the bottom of the case, honeycomb sections, and more.

At last, advanced styling plus world-class performance and energy efficiency... that's Elite.



Hussmann refrigerated merchandisers configured for sale for use in the United States meet or surpass the requirements of the DOE 2017 energy efficiency standards.

NOTE: These merchandisers are designed for use in stores when temperature and humidity do not exceed 75°F and 55% R.H.

NOTE: We reserve the right to change or revise specifications and product design in connection with any feature of our products. Such changes do not entitle the buyer to corresponding changes, improvements, additions, or replacements for equipment previously sold or shipped.

For additional resources, contact your representative or visit www.hussmann.com.

HUSSMANN®

Hussmann Corporation
12999 St. Charles Rock Rd.
Bridgeton, MO 63044-2483
Ph: 314.291.2000

www.hussmann.com