



E5

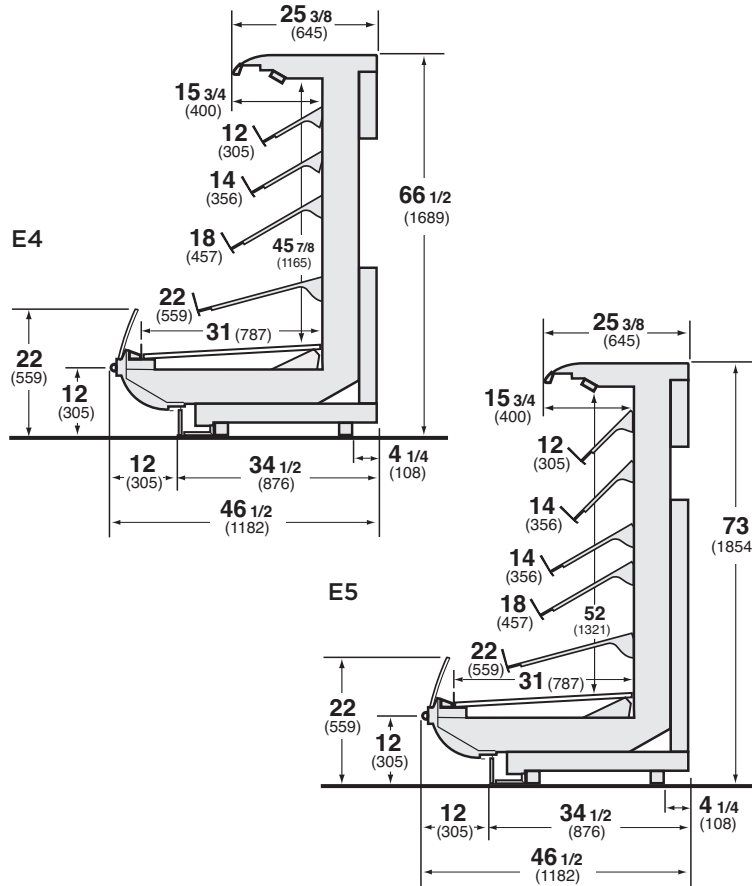
E4, E5

Elite Self-Serve, Multi-Deck Display Merchandisers
for Deli, Pizza, Floral, and Fresh Juice Applications

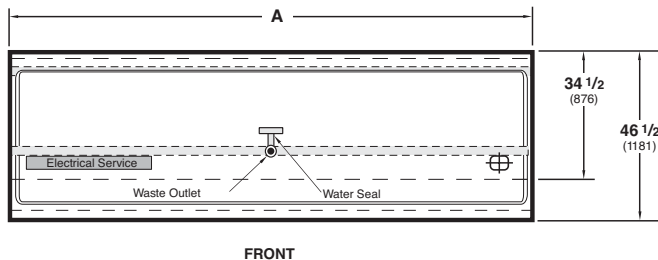
Husmann Elite Self-Serve, Multi-Deck Display Merchandisers for Deli, Pizza, Floral, and Fresh Juice Applications

- E4 - Self-Serve, Five-Level (4 Shelves plus Bottom Deck)**
- E5 - Self-Serve, Six-Level (5 Shelves plus Bottom Deck)**

Available in 8' and 12' lengths. Contact your sales rep for information on possible availability of additional case lengths.



Plan View



Dimensions	8 FT	12 FT
A	96 1/4 (2445)	144 3/8 (3667)

Notes:

Overall case length without ends or partitions. Contact your sales representative for information on possible availability of additional case lengths.

Note

Use Husmann's technical data sheets to get precise dimensions for all store layout purposes.

Merchandising Excellence.

The E4 and E5 self-serve multi-decks can give you dramatic styling with excellent performance and display capacity for your taller self-serve, specialty merchandising needs. For deli products, pizza, floral, fresh juice and more, the E4 and E5 provide just the right platform to help you increase specialty sales.

Elite Styling.

Dramatic appearance with uncompromising attention to detail is a hallmark of Elite. Both the E4 and E5 create a style and quality statement that adds value to the specialty shopping experience, helping you increase sales and customer loyalty.

Proven Performance.

The superior refrigeration and energy efficiency of Excel are now part of every Elite case. This advanced technology provides better product temperatures, lower energy costs, fewer refrigerant leaks and easier cleaning and maintenance.

At last, advanced styling plus world-class performance and energy efficiency... that's Elite.

DOE 2017 Energy Efficiency Compliant Husmann refrigerated merchandisers configured for sale for use in the United States meet or surpass the requirements of the DOE 2017 energy efficiency standards.

NOTE: These merchandisers are designed for use in stores when temperature and humidity do not exceed 75°F and 55% R.H.

NOTE: We reserve the right to change or revise specifications and product design in connection with any feature of our products. Such changes do not entitle the buyer to corresponding changes, improvements, additions, or replacements for equipment previously sold or shipped.

For additional resources, contact your representative or visit www.husmann.com.

HUSSMANN®

Husmann Corporation
12999 St. Charles Rock Rd.
Bridgeton, MO 63044-2483
Ph: 314.291.2000

www.husmann.com