

**HUSSMANN®**

---



---

**ES1S**

Elite Single-Deck, Straight Glass Service Case Merchandiser  
for Deli and Meat Applications

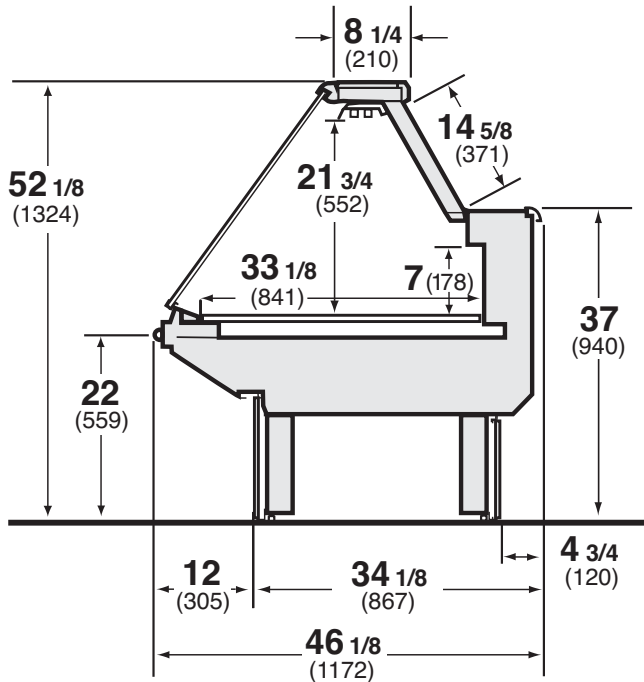
---

[www.hussmann.com](http://www.hussmann.com)

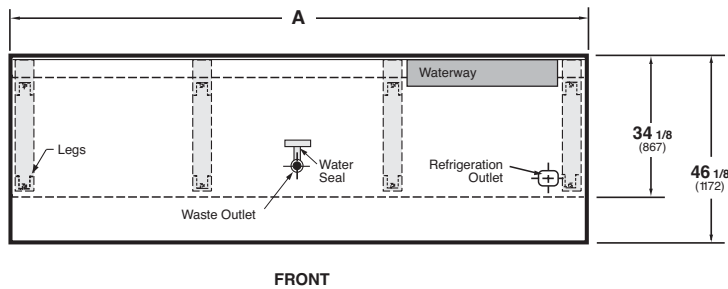
# Husmann Elite Single-Deck, Straight Glass Service Case Merchandiser for Deli and Meat Applications

## ES1S - Single-Deck, Straight Glass Service Case

Available in 8' and 12' lengths. Contact your sales rep for information on possible availability of additional case lengths.



## Plan View



Dimensions	8 FT	12 FT
A	96 3/8 (2448)	144 1/2 (3670)

### Notes:

Overall case length without ends or partitions. Contact your sales representative for information on possible availability of additional case lengths.

### Note

Use Husmann's technical data sheets to get precise dimensions for all store layout purposes.

## Merchandising Excellence.

The ES1S creates a dramatic single-deck merchandising platform with non-glare straight glass that brings your merchandising concepts out front. This aesthetically crafted merchandiser is available for seafood, fresh meats and deli products. Flexible options for the ES1S include stainless steel pedestals, scale and slicer stands, plexiglas step display, brass trim, top dry display shelf, rear doors and a variety of wedges.

## Elite Styling.

Dramatic appearance with uncompromising attention to detail is a hallmark of Elite. The ES1S creates an appealing look of quality and style that will attract customers. The compelling, straight glass design enhances the quality and service you provide and will help add value as part of a pleasing customer experience.

## Proven Performance.

Superior refrigeration and energy efficiency are two key reasons for the success of Husmann. Husmann has now applied this advanced refrigeration technology to the Elite line, giving you better product temperatures, lower energy costs, fewer refrigerant leaks and easier cleaning and maintenance.

At last, advanced styling plus world-class performance and energy efficiency... that's Elite.

**DOE 2017 Energy Efficiency Compliant** Husmann refrigerated merchandisers configured for sale for use in the United States meet or surpass the requirements of the DOE 2017 energy efficiency standards.

NOTE: These merchandisers are designed for use in stores when temperature and humidity do not exceed 75°F and 55% R.H.

NOTE: We reserve the right to change or revise specifications and product design in connection with any feature of our products. Such changes do not entitle the buyer to corresponding changes, improvements, additions, or replacements for equipment previously sold or shipped.

For additional resources, contact your representative or visit [www.husmann.com](http://www.husmann.com).

**HUSMANN®**

**Husmann Corporation**  
12999 St. Charles Rock Rd.  
Bridgeton, MO 63044-2483  
Ph: 314.291.2000

[www.husmann.com](http://www.husmann.com)