

HUSSMANN®



ES1

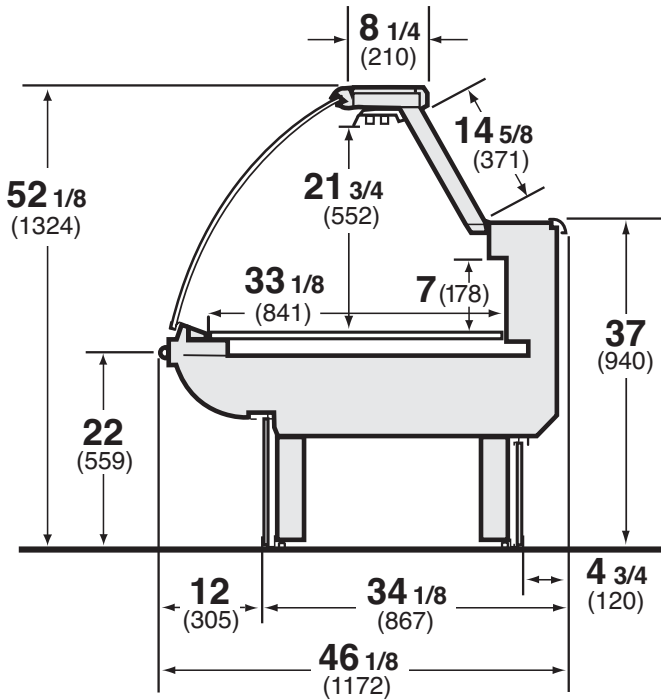
Elite Single-Deck, Curved Glass Case Merchandiser
for Deli, Meat, and Seafood Applications

www.hussmann.com

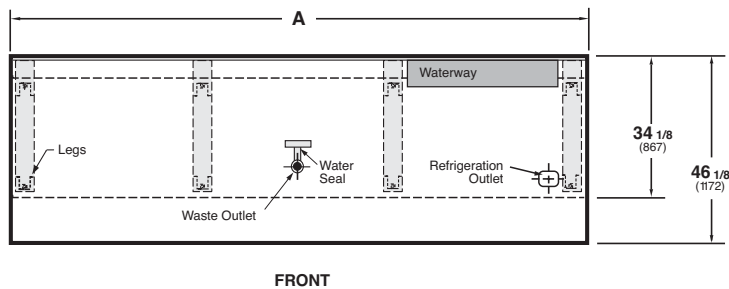
Husmann Elite Single-Deck, Curved Glass Case Merchandiser for Deli, Meat, and Seafood Applications

ES1 - Single-Deck, Curved Glass Service Case

Available in 8' and 12' lengths. Contact your sales rep for information on possible availability of additional case lengths.



Plan View



Dimensions	8 FT	12 FT
A	$96 \frac{3}{8}$ (2448)	$144 \frac{1}{2}$ (3670)

Notes:

Overall case length without ends or partitions. Contact your sales representative for information on possible availability of additional case lengths.

Note

Use Husmann's technical data sheets to get precise dimensions for all store layout purposes.

Merchandising Excellence.

The ES1 creates a wide-open, single-deck merchandising platform under attractive curved glass. This aesthetically advanced, high performance merchandiser is available for seafood, fresh meats and deli products. A long list of flexible options includes non-glare glass, scale and slicer stands, plexiglass step display, top dry display shelf, rear doors and a variety of wedges.

Elite Styling.

Dramatic appearance with uncompromising attention to detail is a hallmark of Elite. The ES1 creates a stylish, attention-getting format for your creative merchandising concepts. The design of the single deck ES1 enhances the quality and service you provide and will help add value as part of a pleasing customer experience.

Proven Performance.

The superior energy efficiency and refrigeration performance of Husmann is now available in Elite. This means the Elite line will give you better product temperatures, lower energy costs, fewer refrigerant leaks and easier cleaning and maintenance.

At last, advanced styling plus world-class performance and energy efficiency... that's Elite.

DOE 2017 Energy Efficiency Compliant Husmann refrigerated merchandisers configured for sale for use in the United States meet or surpass the requirements of the DOE 2017 energy efficiency standards.

NOTE: These merchandisers are designed for use in stores when temperature and humidity do not exceed 75°F and 55% R.H.

NOTE: We reserve the right to change or revise specifications and product design in connection with any feature of our products. Such changes do not entitle the buyer to corresponding changes, improvements, additions, or replacements for equipment previously sold or shipped.

For additional resources, contact your representative or visit www.husmann.com.

HUSSMANN®

Husmann Corporation
12999 St. Charles Rock Rd.
Bridgeton, MO 63044-2483
Ph: 314.291.2000

www.husmann.com