



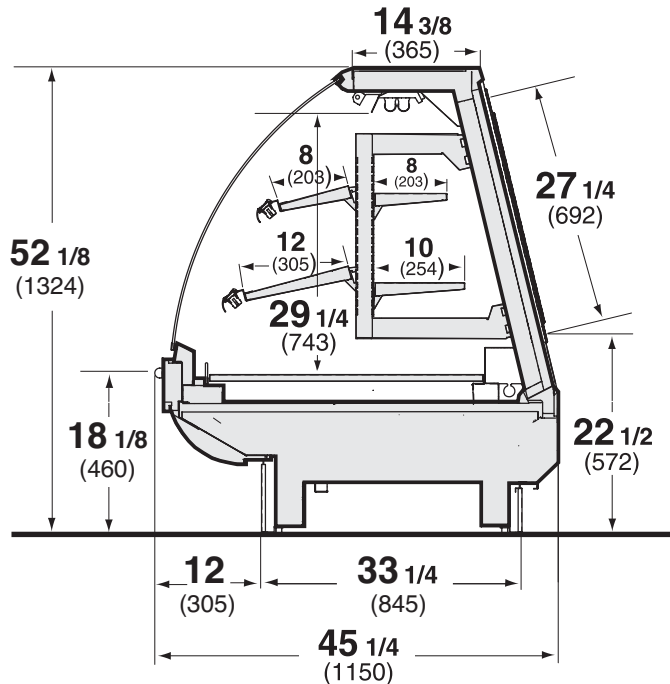
ESBDHV

Elite High Volume Curved Glass, Blower Coil Service Case
Merchandiser for Deli Applications

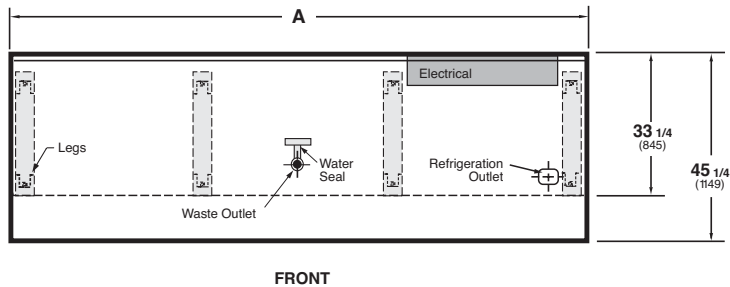
Hussmann Elite High Volume Curved Glass, Blower Coil Service Case Merchandiser for Deli Applications

ESBDHV - High Volume, Curved Glass Service Case with Blower Coil

Available in 8' and 12' lengths. Contact your sales rep for information on possible availability of additional case lengths.



Plan View



Dimensions	8 FT	12 FT
A	96 3/8 (2448)	144 1/2 (3670)

Notes:

Overall case length without ends or partitions. Contact your sales representative for information on possible availability of additional case lengths.

Note

Use Hussmann's technical data sheets to get precise dimensions for all store layout purposes.

High Volume Deli Merchandising.

The ESBDHV delivers high volume merchandising opportunities for your specialty operations. These aesthetically advanced, high performance curved glass models are ideal for high profit, service deli products. Large rear doors and lift up front glass make these cases extremely easy to use. Many flexible options are also available, including three rows of display in the front of the case and two rows in the rear for working product storage. The viewing area is approximately 6-inch taller than the standard ESBD while maintaining the 52-inch overall height.

Elite Styling.

Dramatic appearance with uncompromising attention to detail is a hallmark of Elite. The ESBDHV provides a stylish, attention-getting format to help you achieve maximum sales with your creative deli displays.

Proven Performance.

The advanced refrigeration technology of Hussmann is now available in the Elite line, giving you better product temperatures, lower energy costs, fewer refrigerant leaks and easier cleaning and maintenance. Get ultimate styling and ultimate performance with Elite.

At last, advanced styling plus world-class performance and energy efficiency... that's Elite.

DOE 2017 Energy Efficiency Compliant Hussmann refrigerated merchandisers configured for sale for use in the United States meet or surpass the requirements of the DOE 2017 energy efficiency standards.

NOTE: These merchandisers are designed for use in stores when temperature and humidity do not exceed 75°F and 55% R.H.

NOTE: We reserve the right to change or revise specifications and product design in connection with any feature of our products. Such changes do not entitle the buyer to corresponding changes, improvements, additions, or replacements for equipment previously sold or shipped.

For additional resources, contact your representative or visit www.hussmann.com.

HUSSMANN®

Hussmann Corporation
12999 St. Charles Rock Rd.
Bridgeton, MO 63044-2483
Ph: 314.291.2000

www.hussmann.com