

HUSSMANN®



ESBD

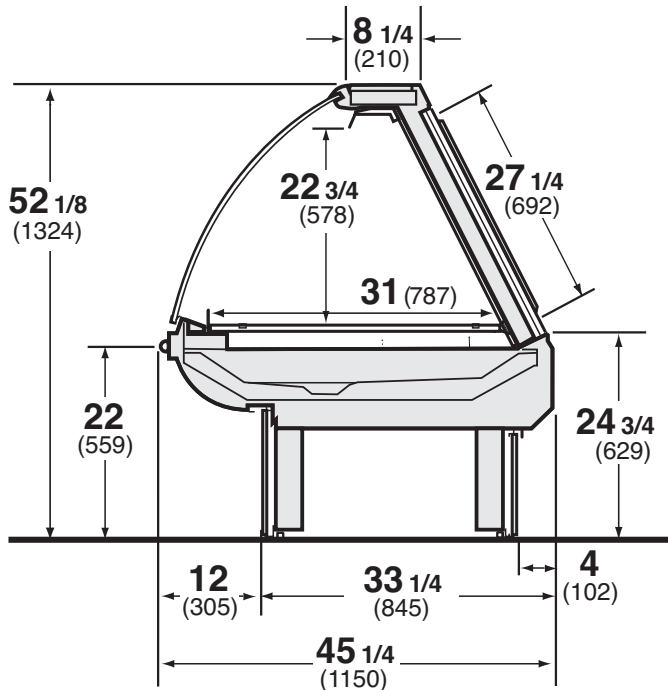
Elite Curved Glass, Blower Coil Service Case Merchandiser
for Deli Applications

www.hussmann.com

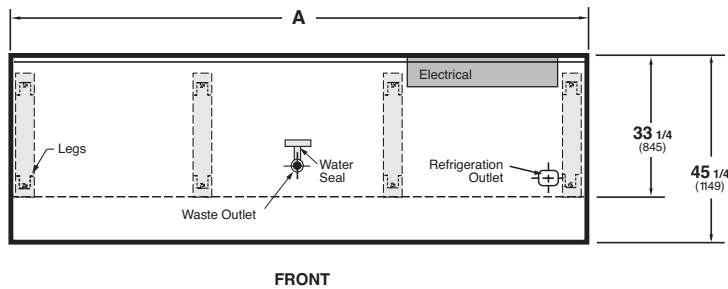
Husmann Elite Curved Glass, Blower Coil Service Case Merchandiser for Deli Applications

ESBD - Curved Glass Service Case with Blower Coil

Available in 8' and 12' lengths. Contact your sales rep for information on possible availability of additional case lengths.



Plan View



Dimensions	8 FT	12 FT
A	$96 \frac{3}{8}$ (2448)	$144 \frac{1}{2}$ (3670)

Notes:

Overall case length without ends or partitions. Contact your sales representative for information on possible availability of additional case lengths.

Note

Use Husmann's technical data sheets to get precise dimensions for all store layout purposes.

Merchandising Excellence.

The ESBD delivers high impact merchandising opportunities for your specialty operations. These aesthetically advanced, high performance curved glass models are ideal for high profit, service deli products. Large rear doors and lift up front glass make these cases extremely easy to use. Many flexible options are also available.

Elite Styling.

Dramatic appearance with uncompromising attention to detail is a hallmark of Elite. The ESBD provides a stylish, attention-getting format to help you achieve maximum sales with your creative deli displays. These cases can be combined with companion models to create spectacular line-ups that make your specialty merchandising come to life.

Proven Performance.

The advanced refrigeration technology of Husmann is now available in the Elite line, giving you better product temperatures, lower energy costs, fewer refrigerant leaks, and easier cleaning and maintenance. Get ultimate styling and ultimate performance with Elite.

At last, advanced styling plus world-class performance and energy efficiency... that's Elite.

DOE 2017 Energy Efficiency Compliant Husmann refrigerated merchandisers configured for sale for use in the United States meet or surpass the requirements of the DOE 2017 energy efficiency standards.

NOTE: These merchandisers are designed for use in stores when temperature and humidity do not exceed 75°F and 55% R.H.

NOTE: We reserve the right to change or revise specifications and product design in connection with any feature of our products. Such changes do not entitle the buyer to corresponding changes, improvements, additions, or replacements for equipment previously sold or shipped.

For additional resources, contact your representative or visit www.husmann.com.

HUSMANN®

Husmann Corporation
12999 St. Charles Rock Rd.
Bridgeton, MO 63044-2483
Ph: 314.291.2000

www.husmann.com