



ESGMS

---

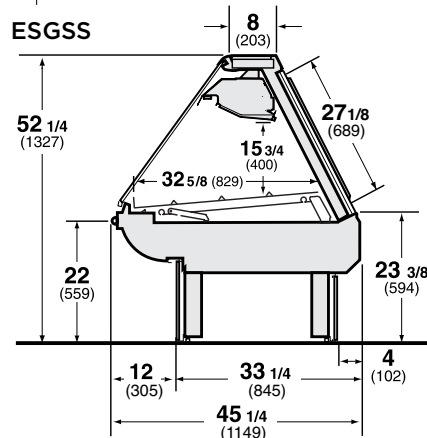
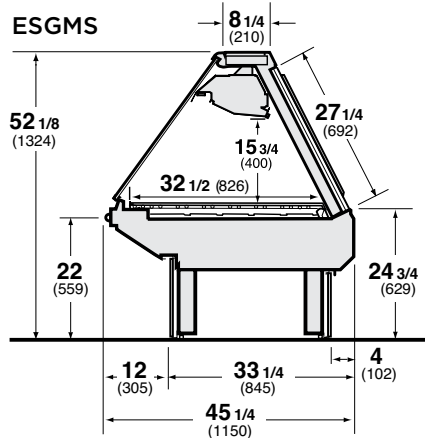
# ESGMS, ESGSS

Elite Straight Glass, Gravity Service Case Merchandisers  
for Meat and Seafood Applications

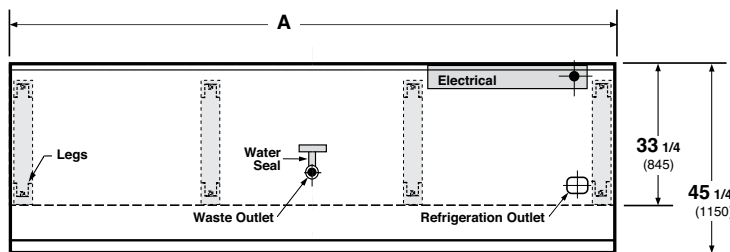
# Hussmann Elite Straight Glass, Gravity Service Case Merchandisers for Meat and Seafood Applications

**ESGMS** - Straight Glass Service Meat Case with Gravity Coil  
**ESGSS** - Straight Glass Service Seafood Case with Gravity Coil

Available in 8' and 12' lengths. Contact your sales rep for information on possible availability of additional case lengths.



## Plan View



Dimensions	8 FT	12 FT
A	96 3/8 (2448)	144 1/2 (3670)

**Notes:**  
 Overall case length without ends or partitions. Contact your sales representative for information on possible availability of additional case lengths.

**Note**  
 Use Hussmann's technical data sheets to get precise dimensions for all store layout purposes.

## Merchandising Excellence.

Both the ESGMS and ESGSS offer flexible merchandising platforms that let you take advantage of your unique service opportunities. Whether you are displaying seafood in the ESGSS, or meat or deli in the ESGMS, the straight, non-glare glass helps spotlight food products through excellent visibility.

## Elite Styling.

Dramatic appearance with uncompromising attention to detail is a hallmark of Elite. This dramatic, straight glass look was designed to produce high visibility formats that draw attention to your gourmet meats, deli and seafood selections. Combine these cases with companion models to create spectacular line-ups that help pull in customers and increase sales.

## Proven Performance.

Hussmann has now applied the advanced refrigeration technology to the Elite line, giving you better product temperatures, lower energy costs, fewer refrigerant leaks, and easier cleaning and maintenance.

At last, advanced styling plus world-class performance and energy efficiency... that's Elite.



Hussmann refrigerated merchandisers configured for sale for use in the United States meet or surpass the requirements of the DOE 2017 energy efficiency standards.

**NOTE:** These merchandisers are designed for use in stores when temperature and humidity do not exceed 75°F and 55% R.H.

**NOTE:** We reserve the right to change or revise specifications and product design in connection with any feature of our products. Such changes do not entitle the buyer to corresponding changes, improvements, additions, or replacements for equipment previously sold or shipped.

For additional resources, contact your representative or visit [www.hussmann.com](http://www.hussmann.com).



**Hussmann Corporation**  
 12999 St. Charles Rock Rd.  
 Bridgeton, MO 63044-2483  
 Ph: 314.291.2000

[www.hussmann.com](http://www.hussmann.com)