



FL3NX-LEP

---

# FL3X-LEP, FL4NX-EP, FL5NX-LEP

Excel Various Height Multi-Decks  
for Fresh Floral Applications

# Hussmann Excel Various Height Multi-Decks for Fresh Floral Applications

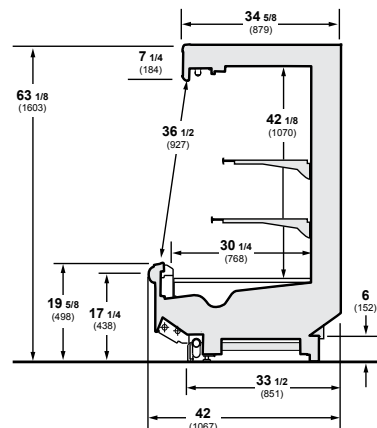
**FL3X-LEP** - Floral, 3-Deck, Low Front, Extra High Energy Efficiency Coil

**FL4NX-EP** - Floral, 4-Deck, Narrow Footprint, Extra High Energy Efficiency Coil

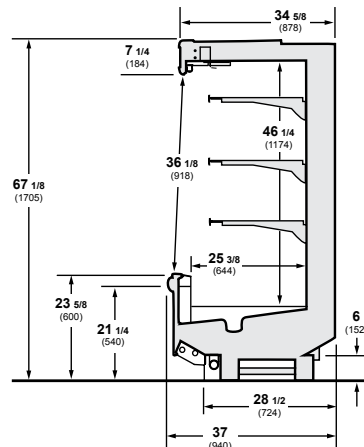
**FL5NX-LEP** - Floral, 5-Deck, Narrow Footprint, Low Front, Extra High Energy Efficiency Coil

Available in various lengths. Contact your sales rep for information on possible availability of additional case lengths.

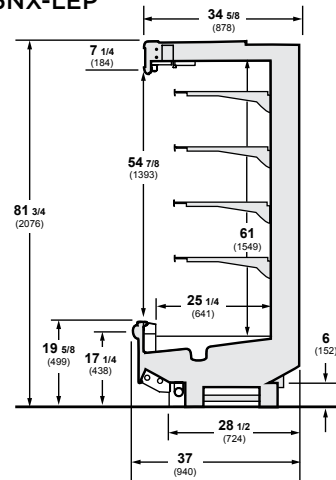
**FL3X-LEP**



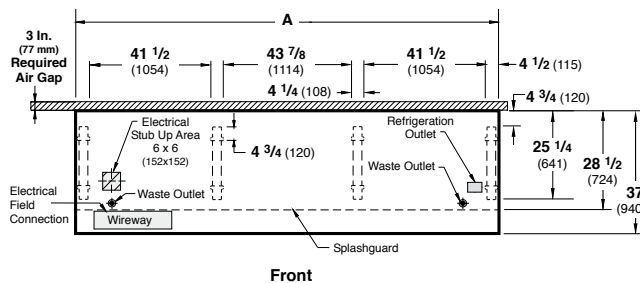
**FL4NX-EP**



**FL5NX-LEP**



## Plan Views



Dimension A	4 FT	6 FT	8 FT	12 FT
FL3X-LEP	48 3/8 (1229)	-	-	-
FL4NX-EP	-	-	-	144 1/2 (3670)
FL5NX-LEP	48 3/8 (1229)	72 3/8 (1838)	96 3/8 (2448)	144 1/2 (3670)

**Notes:**  
Overall case length without ends or partitions. Contact your sales representative for information on possible availability of additional case lengths.

## Note

Use Hussmann's technical data sheets to get precise dimensions for all store layout purposes.

## Designed to Help You Sell Flowers

These are open, multi-deck floral display cases that make your cut flowers and arrangements easy to see and easy to reach. Black interiors, solid shelves, shelf lighting and flower pot inserts are all optionally available to give you the drama and flexibility needed in floral merchandising.

## Lower Energy Costs

High or extra high efficiency coils are standard, and integrated night curtains are optionally available to further reduce energy costs.

## Superior Reliability

Our five year modular coil warranty is the best available. Pre-set adjustable expansion valves are designed to hold optimal temperatures.



Hussmann refrigerated merchandisers configured for sale for use in the United States meet or surpass the requirements of the DOE 2017 energy efficiency standards.

**NOTE:** These merchandisers are designed for use in stores when temperature and humidity do not exceed 75°F and 55% R.H.

**NOTE:** We reserve the right to change or revise specifications and product design in connection with any feature of our products. Such changes do not entitle the buyer to corresponding changes, improvements, additions, or replacements for equipment previously sold or shipped.

For additional resources, contact your representative or visit [www.hussmann.com](http://www.hussmann.com).



Hussmann Corporation  
12999 St. Charles Rock Rd.  
Bridgeton, MO 63044-2483  
Ph: 314.291.2000

[www.hussmann.com](http://www.hussmann.com)