



FG

---

**F, FG**

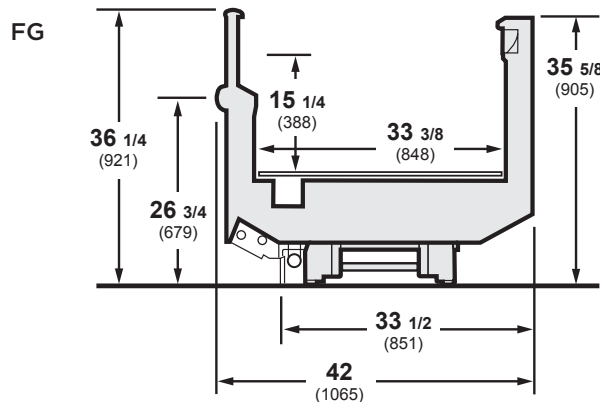
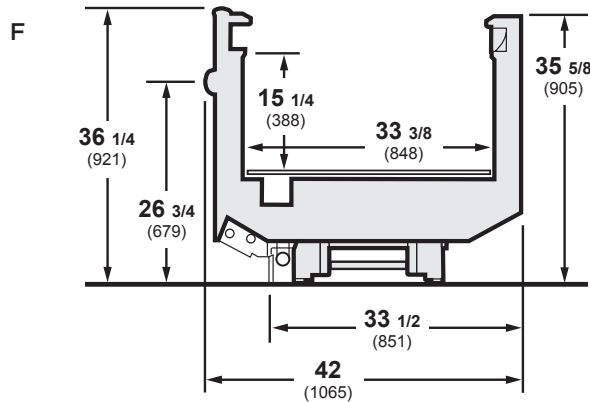
Excel Single-Deck Wall Model Merchandiser  
with/without Glass Front

# Husmann Excel Single-Deck Wall Model Merchandiser for Frozen Food, Ice Cream, and Medium Temperature Applications

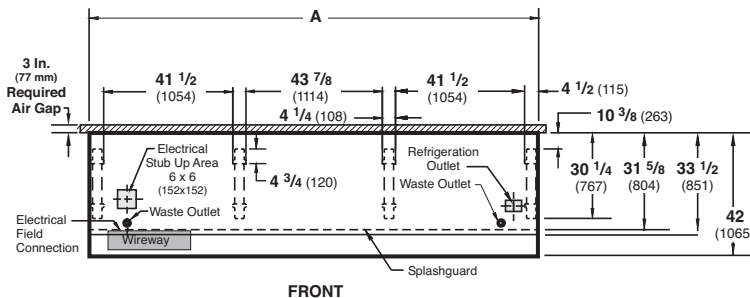
## F - Single-Deck Wall Model

## FG - Single-Deck Wall Model with Glass Front

Available in 8' and 12' lengths. Contact your sales rep for information on possible availability of additional case lengths.



## Plan View



| Dimensions | 8 FT          | 12 FT          |
|------------|---------------|----------------|
| A          | 96 3/8 (2448) | 144 1/2 (3670) |

### Notes:

Overall case length without ends or partitions. Contact your sales representative for information on possible availability of additional case lengths.

### Note

Use Husmann's technical data sheets to get precise dimensions for all store layout purposes.

## More Merchandising Capacity

Compared with the corresponding Impact models, the Impact Excel F Model provides 5% more merchandising space while FG provides 8% additional capacity.

## Superior Freshness and Product Protection

Excellent temperature consistency and stability are maintained throughout the display zone with Husmann's proprietary discharge air louvers and continuous tube serpentine coils.

## More Energy Efficient

The Excel F and FG models use less energy than both Impact and competitive models. This means you get larger capacity with lower energy cost.

## Lower Labor Costs

Labor saving features include greater clearance under the case, easier raceway access and simplified wiring.

## Superior Reliability

Our five year coil warranty is the best available. Pre-set adjustable expansion valves are designed to hold optimal temperatures.

## Sliding Glass Lids Available

Sliding glass lids are available as a field installed upgrade or as original equipment for all single deck, open island display cases. Lids will reduce overall case energy from 40% to 60%, depending on case model.



Husmann refrigerated merchandisers configured for sale for use in the United States meet or surpass the requirements of the DOE 2017 energy efficiency standards.

NOTE: These merchandisers are designed for use in stores when temperature and humidity do not exceed 75°F and 55% R.H.

NOTE: We reserve the right to change or revise specifications and product design in connection with any feature of our products. Such changes do not entitle the buyer to corresponding changes, improvements, additions, or replacements for equipment previously sold or shipped.

For additional resources, contact your representative or visit [www.husmann.com](http://www.husmann.com).

# HUSMANN®

Husmann Corporation  
12999 St. Charles Rock Rd.  
Bridgeton, MO 63044-2483  
Ph: 314.291.2000

[www.husmann.com](http://www.husmann.com)