

HUSSMANN®



Freedom Line Reach-In Cases

RFLN, RFMN

Designed to give you exceptional merchandising with the convenience and flexibility of field-installed refrigeration on top of case or from a remote location

www.hussmann.com

Freedom Line Reach-In Cases



Refrigeration options include field installed top condensing unit or piping to a remote system.

Full size reach-in doors allow more product facings than typical self-contained cases.

Narrow front-to-back footprint reduces floor space requirement.

The Freedom Line provides all the merchandising power of a remote supermarket reach-in, plus the flexibility of various refrigeration options and the mobility of a drainless case.

Based on the RLN/RMN narrow footprint platform, Freedom Line RFLN AND RFMN Reach-ins are ideal for small footprint food stores and other applications where flexibility and no floor drains are important.

A decorative facade makes this a visually powerful merchandising platform that can help attract and influence shoppers.

Available Sizes:

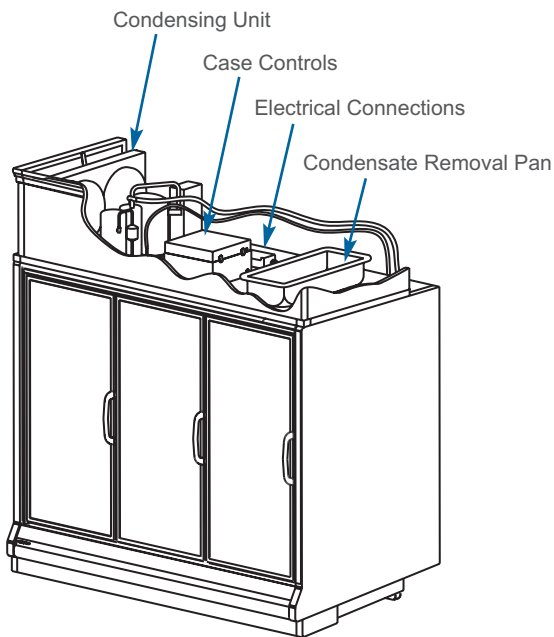
- 2, 3, 4, and 5 door models.
- Can be connected to create line-ups.
 - Plexiglass partitions used between like temperature cases.
 - Solid partitions used between medium and low temp cases.
- Fits through 36" x 83" doorway with easy removal of exterior parts.

Freedom Line Flexibility: Refrigeration Options

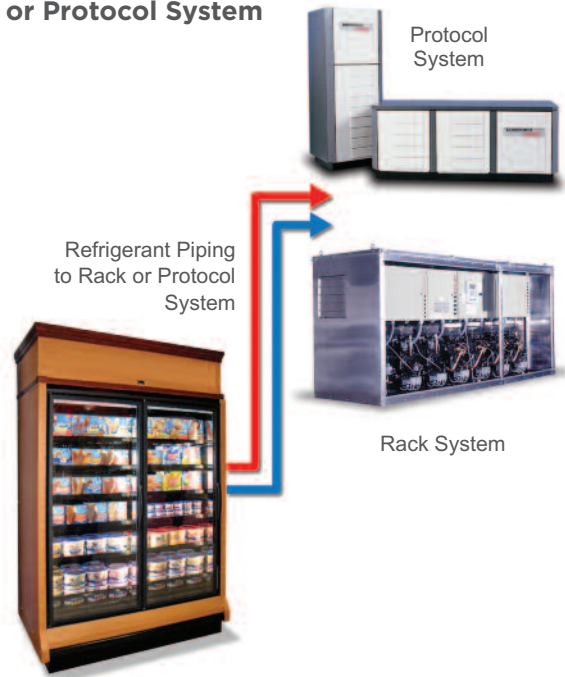
Easy Installation:

- No drains required: condensate removal system with pump and condensate pan are factory installed.
- Refrigeration lines are pre-charged and pre-piped to top of case with quick-connect, threaded couplings for easy condensing unit installation.
- Pre-wired and labeled to simplify electrical connections.
- Decorative facade conceals top-mounted refrigeration and electrical components.

Option A: Top Field Mounted Condensing Unit



Option B: Remotely Piped to Rack or Protocol System



Option C: Piped to Remote Condensing Unit



Freedom Line

- Great Merchandising
- Maximum Energy Efficiency
- Refrigeration Options
- Easy, Flexible Installation



Large Display with Narrow Footprint

- Full-size reach-in solution to increase product facings and improve sales.
- More display capacity than typical self-contained models.
- Narrow footprint keeps required floor space to a minimum.

Extremely Energy Efficient

- Highly efficient design helps keep energy costs lower than other options.

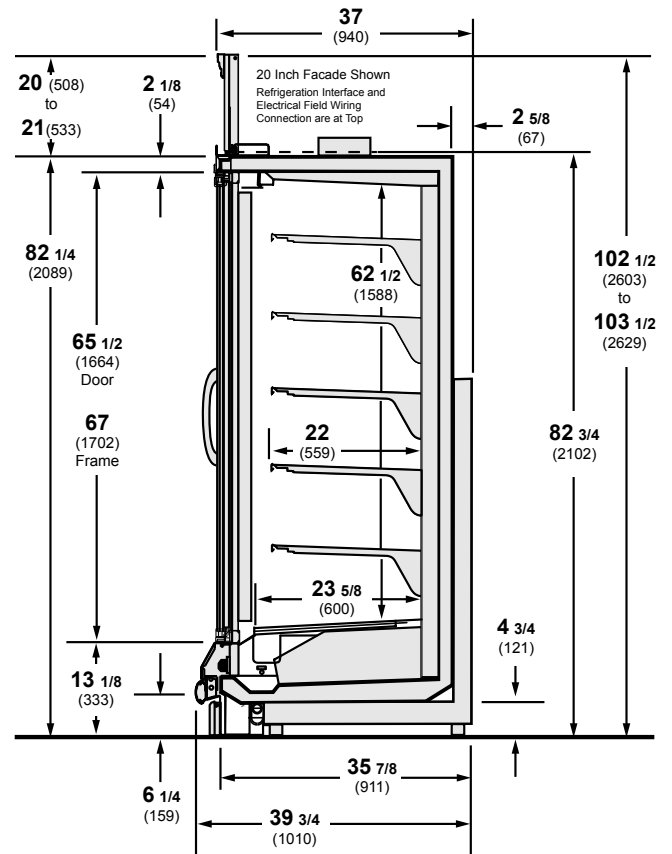
Factory Installed Electronic Controls

- Temperature and defrost controls.
- Time clock.

Optional

- Sound and visual temperature alarm.

RFLN, RFMN



Fits through 36" x 83" doorway with easy removal of exterior parts.



HUSSMANN®

Hussmann Corporation
12999 St. Charles Rock Rd.
Bridgeton, MO 63044-2483
Ph: 314.291.2000

www.hussmann.com