

GSVM

Self-Contained, Specialty Vertical Multi-Deck
Medium Temperature Merchandiser

Advanced Design

- Increased product visibility with narrow canopy
- Plexiglass ends for side visibility
- All GSVM merchandisers have the same contour and line up together to create extended product displays

Merchandising with Style

- Three models available with canopy and shelf lighting
- Easy access to display levels for merchandising or shopping

Smart Construction

- Easy to clean interior and exterior
- Easy to service slide out condensing unit
- CFC-free insulation
- Timer controlled automatic defrost and thermometer
- Electric condensate (Model GSVM-4060 only)
- Two-positioned lighted cantilever shelves with PTM

Innovative Refrigeration

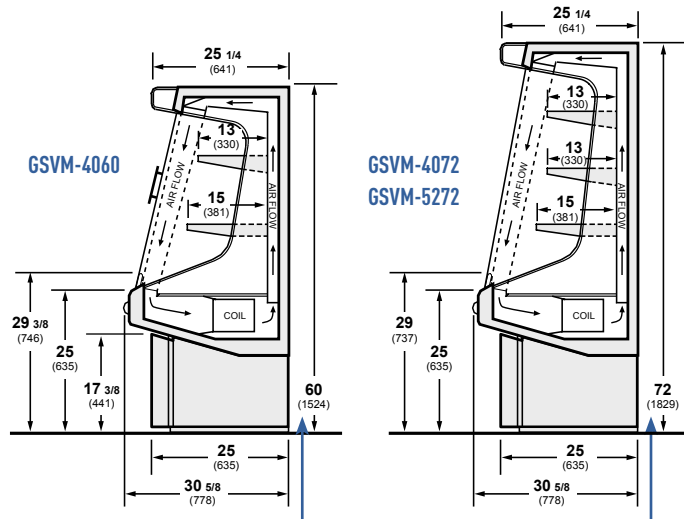
- Front air intake and discharge (Models GSVM-4060, -4072)
- Front air intake and rear air discharge (Model GSVM-5272 only) - requires a 5-inch min. open space behind the back of the case
- State-of-the-art honeycomb discharge air system assures even temperature and maximum efficiency
- Adjustable temperature control



Model shown with the optional
3-sided bumper kit.

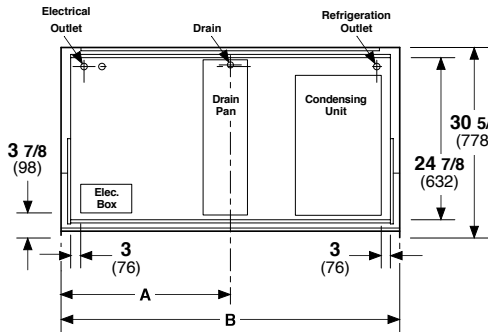
Self-Contained, Specialty Vertical Multi-Deck Merchandiser for Beverage, Dairy, Deli and Produce Applications

GSVM - Specialty Multi-Deck Med Temp Merchandiser



Clearance required. Refer to installation instructions.

Plan View



Dimensions	A	B
GSVM-4072	20 (508)	40 (1016)
GSVM-4060	26 (660)	52 (1346)

Specifications

Model	Exterior Dimensions			Nom. HP	Refrig.	Hz/Ph	Electrical				Refrig.** Load (BTU/h)	A/C Load (BTU/h)	Approx. Ship Wt. (lbs)
	L	D	H				Run Amps	Fuse Amps	NEMA Plug				
GSVM-4060	40"	30-5/8"	60"	3/4	R-134a	60/1	115	16.0	20	5-20P	4410	6068	380
GSVM-4072	40"	30-5/8"	72"	3/4	R-134a	60/1	115	15.5	20	5-20P	4410	6068	425
GSVM-5272	52"	30-5/8"	72"	3/4	R-404a	60/1	115	19.5	25	Hardwired*	4610	6340	600

GSVM-4060 and GSVM-4072



NEMA 5-20R

- GSVM models have factory-installed power cords attached at the electrical box.
- Always use a dedicated circuit with the amperage stated on the unit.
- Plug into an outlet designed for the plug.
- Do not overload the circuit.
- Do not use long or thin extension cords; never use adapters.
- If in doubt, call an electrician.

* Requires field wiring. Length dimensions are without optional bumpers.

** Refrigeration load calculated at 20° F evaporation and 110° F condensing temperature.



Hussmann refrigerated merchandisers configured for sale for use in the United States meet or surpass the requirements of the DOE 2017 energy efficiency standards.



GSVM-4060

For USA/Canada, a Hi-Humidity Condensate Pan Kit is provided for GSVM-4060 models. This condensate pan requires a dedicated 120V 15 amp circuit with a NEMA 5-15R receptacle. NOTE: The extra circuit is only for the Hi-Humidity condensate pan kit. It is NOT part of the case circuit.

Standard Features.

- Color Exterior: White
- Color Interior: White
- Bumper: Black
- Shelves with PTM: GSVM-4060 - 13", 15"; GSVM-4072 - 2)13", 15"; GSVM-5272 - 2)13", 15"
- Shelf Lighting: Yes
- Canopy Lighting: Yes
- End Panel: View
- Power Cord: Yes (GSVM-4060, -4072)
- Hardwired: Yes (GSVM-5272)
- NSF: Type I
- Air Discharge: Front: GSVM-4060, -4072; Rear: GSVM-5272
- Insulation: CFC-Free
- Leg Levelers: Yes
- Hi-Humidity Condensate Pan Kit (9-amp, 120-volt, 1000-watt, requires dedicated 15-amp circuit): GSVM-4060 only

Optional Accessories.

- Optional Hi-Humidity Condensate Pan on the GSVM-4072 and GSVM-5272 models.
- Additional shelving.
- Stainless steel exterior or choice of exterior colors.
- Wrap-around bumper.
- LED light kits (white and black).
- LED shelf light kits for 10-inch and 13-inch (white and black).
- Leg and caster kits, cross bar and hook display.
- Locking security cover.
- Type II kits (80° F/55% R.H.).

NOTE: These merchandisers are designed for use in stores when temperature and humidity do not exceed 75° F and 55% R.H. Optional kit meets Type II condition - 80° F and 55% R.H. Case is designed for holding pre-chilled product only.

NOTE: We reserve the right to change or revise specifications and product design in connection with any feature of our products. Such changes do not entitle the buyer to corresponding changes, improvements, additions, or replacements for equipment previously sold or shipped.

For additional resources and warranties, contact your representative or visit www.hussmann.com.

HUSSMANN®

Hussmann Corporation
12999 St. Charles Rock Rd.
Bridgeton, MO 63044-2483
Ph: 314.291.2000

www.hussmann.com