

Specialty



C-SERIES

High & Low Profile Pastry Cases

Dry Self-Service Multi-Deck For Packaged and Un-packaged Pastry

Dry Self-Service Multi-Deck For Packaged and Un-packaged Pastry

High & Low Profile Pastry Cases

Location Flexibility

Plug & play design with casters allow you to feature products anywhere in your store



Functional Design

Trash, tissue, bag and box designed into front package ledge

Enhanced Product Visibility

The tempered glass top, doors and ends offer maximum product visibility and maximizes store/ambient lighting

Merchandising Flexibility

Open shelving for packaged products and enclosed shelving for unwrapped products



Shopper Friendly Hinge Design

Easy to open, low effort, self closing mechanism

Minimized hardware profile unobstructs and maximizes product views

Tight, no gap fit minimizes infiltration

Also, improved reliability reduces maintenance costs

Features.

- Black interior
- Tempered glass top, doors and end panels
- Heavy duty casters
- Self-closing front tempered doors.
- Right hand side offers 4 levels of wire shelving for pre-packaged or loose pastries
- 12 - 9" x26" pan merchandising capacity
- Left hand side offers 4 levels of wire shelving for pre-packaged foods
- LED side lighting
- 110v 'plug n play' application
- Rear air vent
- Trash, tissue, bag and box receptacles designed for front lower area of case
- Please reference color chart for choice of standard Hussmann paint and finish options (www.hussmann.com)

Options.

- 10' cord & plug
- Color bumper options (McCue)
- Special interior and exterior finishes* (consult your Hussmann sales representative)

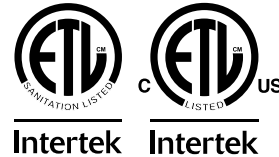
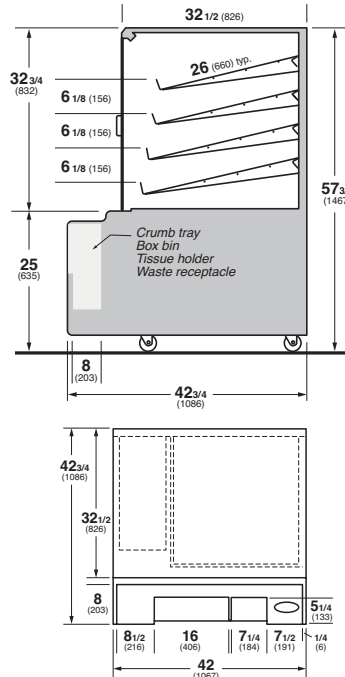
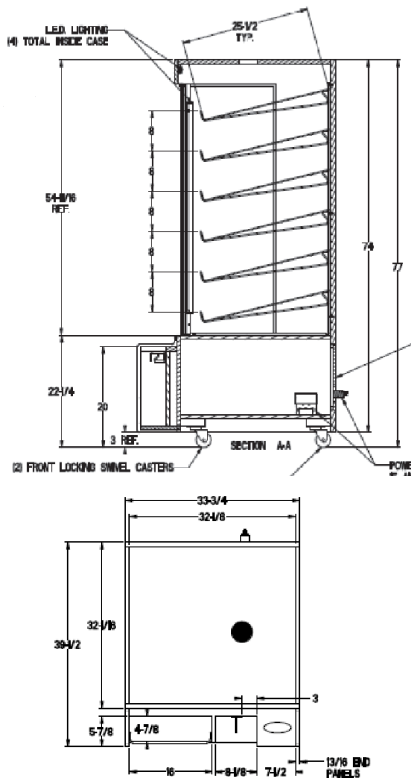
C-Series companion cases.

- Counter Top units available

Available Sizes:

34" (DNO28130.010000)

42" (DNO28120.010000)



* Some optional features may be certified by UL, NSF, and/or other 3rd party certification agencies. Contact Hussmann for verification or requests for such certification.

NOTE: These merchandisers are designed for use in stores when temperature and humidity do not exceed 75°F and 55% R.H. We reserve the right to change or revise specifications and product design in connection with any feature of our products. Such changes do not entitle the buyer to corresponding changes, improvements, additions, or replacements for equipment previously sold or shipped.

For additional resources, contact your representative or visit www.hussmann.com.

HUSSMANN®

Hussmann Corporation

13770 Ramona Avenue
Chino, California 91710-5423
800.385.9229

www.hussmann.com