

HUSSMANN®

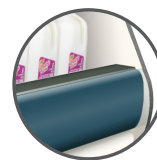
Insight® Merchandisers



ID5SMO90X

Insight 90° Outside Wedge, Extra Wide,
for 5-Deck Merchandisers for Dairy and Deli Applications

Two versatile styling options



BUMPER
Ellipse

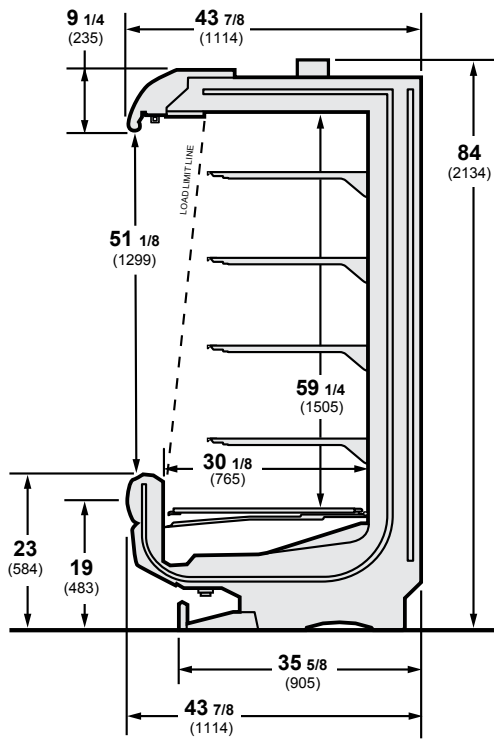


BUMPER
Faceted

Enabling Excellence in Food Retailing.

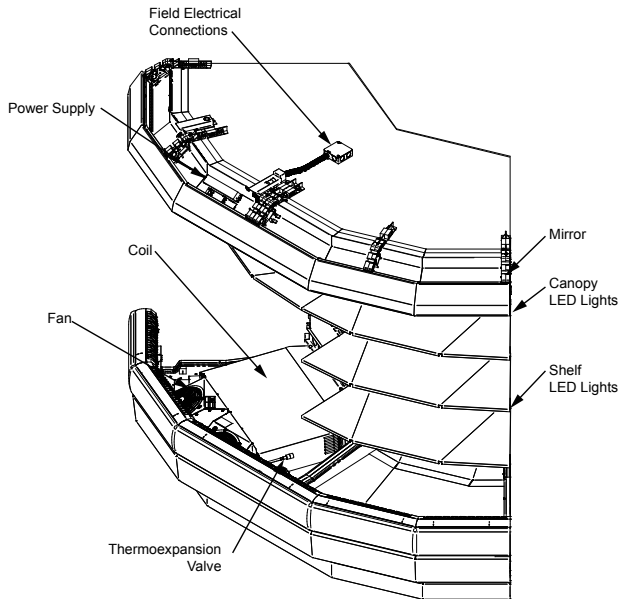
Hussmann Insight 90° Outside Wedge, Extra Wide, for 5-Deck Merchandisers for Dairy and Deli Applications

ID5SMO90X - Insight, Outside 90° Wedge, Dairy, 5-Deck, Standard Front-to-Back Depth, Medium Front, Extra Wide



Gross Refrigerated Volume* – **87.92 ft³/ft**
(2.48 m³)

*AHRI Gross Refrigerated Volume: Refrigerated Volume, ft³/m³



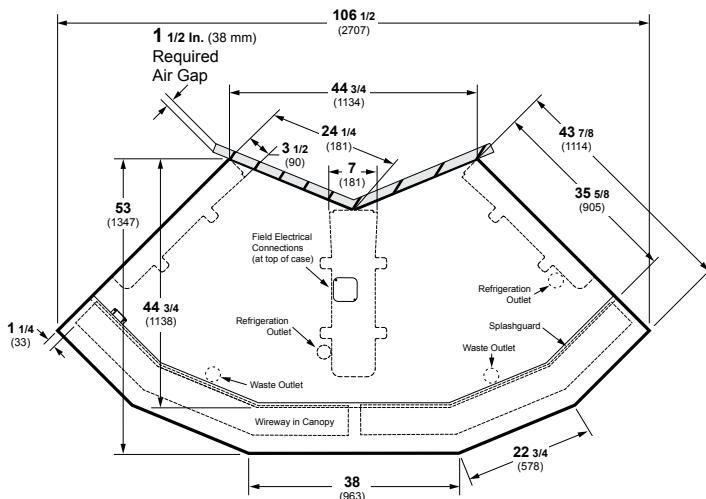
Features / Benefits

- 90° Outside Wedge can be used with ID5SM parent cases to create a 90° outward turn in a line-up
- DOE 2017 compliant energy performance
- Flexible shelf positions
- Additional Insight wedges may be available. Consult Hussmann sales representative.

Options

- Various paint and bumper colors
- Various shelf sizes
- Optional shelf lighting

Plan View



Note

Use Hussmann's technical data sheets to get precise dimensions for all store layout purposes.

DOE 2017 Energy Efficiency Compliant Hussmann refrigerated merchandisers configured for sale for use in the United States meet or surpass the requirements of the DOE 2017 energy efficiency standards.

NOTE: These merchandisers are designed for use in stores when temperature and humidity do not exceed 75°F (23.9°C) and 55% R.H.

NOTE: We reserve the right to change or revise specifications and product design in connection with any feature of our products. Such changes do not entitle the buyer to corresponding changes, improvements, additions, or replacements for equipment previously sold or shipped.

HUSSMANN®

Hussmann Corporation
12999 St. Charles Rock Rd.
Bridgeton, MO 63044-2483
Ph: 314.291.2000

www.hussmann.com