

HUSSMANN®

Insight® Merchandisers



IDD5SL

Insight 5-Deck Merchandiser
with EcoVision Glass Doors and Low Front
for Dairy and Deli Applications

Two versatile styling options

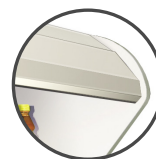


CANOPY



BUMPER

Ellipse



CANOPY



BUMPER

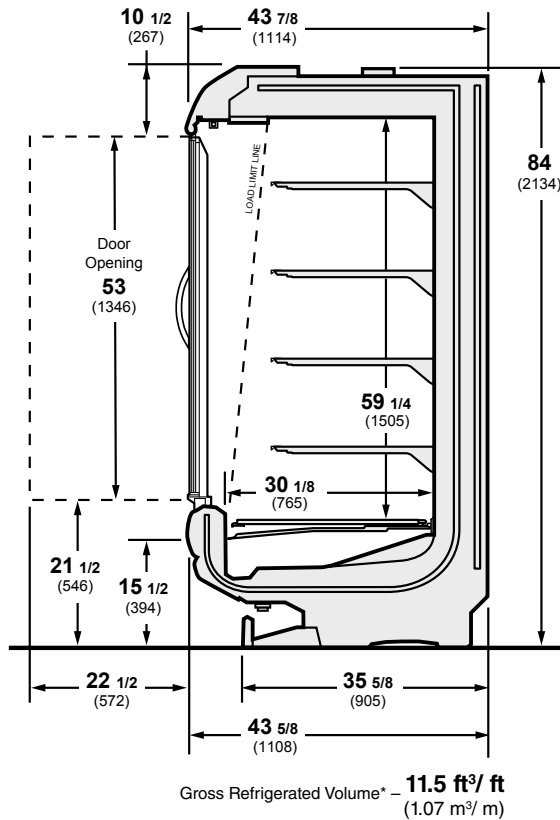
Faceted

Enabling Excellence in Food Retailing.

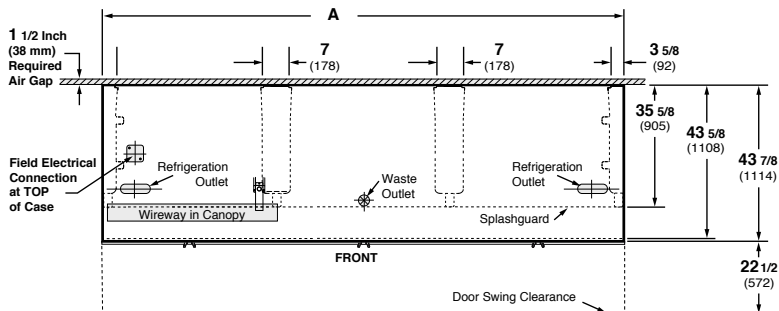
Husmann Insight® 5-Deck Merchandiser with EcoVision Glass Doors and Low Front for Dairy and Deli Applications

IDD5SL - Insight, Dairy, EcoVision Glass Doors, 5-Deck, Standard Front-to-Back Depth, Low Front

Available in 4', 6', 8' and 12' lengths.



Plan View



Dimensions	4 FT	6 FT	8 FT	12 FT
A	48 1/8 (1222)	72 1/4 (1835)	96 1/4 (2445)	144 3/8 (3668)

Note: Overall case length without ends or partitions. Contact your sales representative for information on possible availability of additional case lengths.

Note

Use Husmann's technical data sheets to get precise dimensions for all store layout purposes.

Features / Benefits

- The Insight IDD5SL is a multi-deck display with EcoVision glass doors for exceptional product visibility with extremely low energy costs.
- Superior Food Quality
 - More stable and uniform product temperatures to maintain freshness
 - Shorter defrost cycles protect food integrity
- Energy and Sustainability Benefits
 - Insight cases with EcoVision glass doors save up to 20% energy versus previous Husmann cases with doors, up to 75% energy than similar Insight dairy cases without doors, and up to 80% energy than previous Husmann cases without doors
 - EcoShine II LED lights standard, up to 71% more efficient than fluorescents
 - Over 30% less refrigerant in coils vs. previous coil designs
- Better Structural Integrity
 - Unibody construction improves integrity, facilitates moving, joining, and setting cases
 - Additional new features simplify installation
- Easier to Clean, Better Sanitation
 - Electrical parts/connections in splash zone can be sprayed with water, rated IP 67
 - New anti-clog drain strainer
 - Coil in back wall and flip-up fan plenums for easy-to-clean case bottom
 - Seamless plastic "bathtub" bottom helps prevent leaks
- Easier Service
 - Wiring raceway in canopy for easy access
 - Flip-up access door on optional bottom rack for easy access to drain, fans, and valves
 - Standard LED lights reduce relamping and other maintenance costs
- Superior Merchandising
 - Ellipse and faceted design options to align with store image
 - EcoShine II LED lighting standard, customized for optimal product lighting
 - EcoVision glass doors provide excellent product visibility and merchandising impact

Options

- Various ends, lighting, shelves, racks, paint, and bumper colors
- Two basic styling options, ellipse and faceted, with mix and match alternatives
- Flip-up bottom rack
- Sign-ready canopy fascia panel
- Options available on most models to adjust performance to Type II climatic conditions



Husmann refrigerated merchandisers configured for sale for use in the United States meet or surpass the requirements of the DOE 2017 energy efficiency standards.

NOTE: These merchandisers are designed for use in stores when temperature and humidity do not exceed 75°F (23.9°C) and 55% R.H.

NOTE: We reserve the right to change or revise specifications and product design in connection with any feature of our products. Such changes do not entitle the buyer to corresponding changes, improvements, additions, or replacements for equipment previously sold or shipped.

HUSMANN®

Husmann Corporation

12999 St. Charles Rock Rd.
Bridgeton, MO 63044-2483
Ph: 314.291.2000

www.husmann.com