

HUSSMANN®

Insight® Merchandisers



IDDF5SU

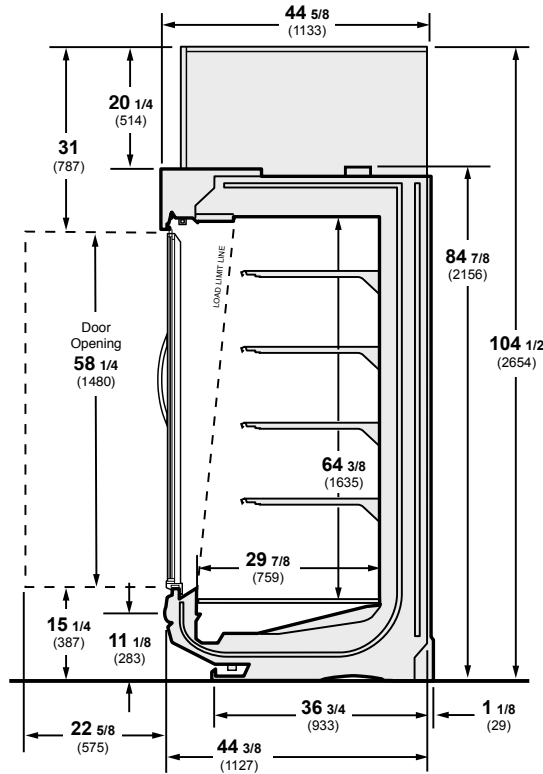
Insight 5-Deck Freedom Line Merchandiser
with EcoVision Glass Doors and Ultra Low Front
for Dairy Applications

Enabling Excellence in Food Retailing.

Husmann Insight® 5-Deck Freedom Line Merchandiser with EcoVision Glass Doors and Ultra Low Front for Dairy Applications

IDDF5SU - Insight, Dairy, EcoVision Glass Doors, Freedom, 5-Deck, Standard Front-to-Back Depth, Ultra Low Front

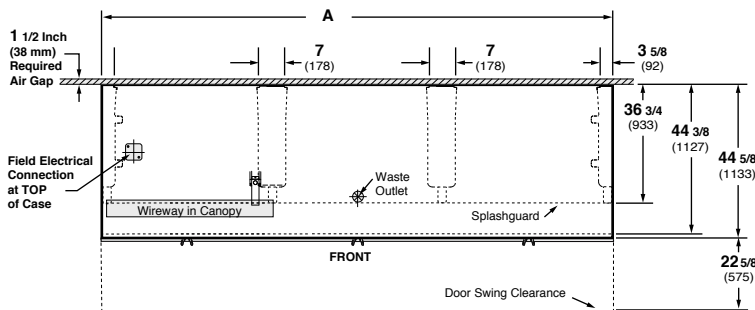
Available in 4', 6', 8' and 12' lengths.



Gross Refrigerated Volume* - **12.1 ft³/ft**
(1.12 m³/m)

*per ANSI/AHRI 1200-2013 appendix C, Volume Calculation

Plan View



Dimensions	4 FT	6 FT	8 FT	12 FT
A	48 1/8 (1222)	72 1/4 (1835)	96 1/4 (2445)	144 3/8 (3667)

Note: Overall case length without ends or partitions. Contact your sales representative for information on possible availability of additional case lengths.

Note

Use Husmann's technical data sheets to get precise dimensions for all store layout purposes.

Features / Benefits

- Freedom Line cases allow field installed top-mounted refrigeration or remote refrigeration
- Freedom Line also offers the mobility of a drainless case
- EcoVision glass doors provide exceptional product visibility and extremely low energy costs
- Ultra-low front for greater product facings
- Matching façade conceals top mounted components
- **Superior Food Quality**
 - More stable and uniform product temperatures to maintain freshness
 - Shorter defrost cycles protect food integrity
- **Energy and Sustainability Benefits**
 - Insight cases with EcoVision glass doors save up to 20% energy versus previous Husmann cases with doors, up to 75% energy than similar Insight dairy cases without doors, and up to 80% energy than previous Husmann cases without doors
 - EcoShine II LED lights standard, up to 71% more efficient than fluorescents
 - Over 30% less refrigerant in coils vs. previous coil designs
- **Better Structural Integrity**
 - Unibody construction improves integrity, facilitates moving, joining, and setting cases
 - New joining system, gasket channel and other new features simplify installation
- **Easier to Clean, Better Sanitation**
 - Electrical parts/connections in splash zone can be sprayed with water, rated IP 67
 - New anti-clog drain strainer
 - Coil in back wall and flip-up fan plenums for easy-to-clean case bottom
 - Seamless plastic "bathtub" bottom helps prevent leaks
- **Easier Service**
 - Flip-up access door on optional bottom rack for easy access to drain, fans, and valves
 - Standard LED lights reduce relamping and other maintenance costs
- **Superior Merchandising**
 - Ellipse and faceted design options to align with store image
 - EcoShine II LED lighting standard, customized for optimal product lighting
 - Improved air curtain reduces "cold aisle" effect by 2-3° F

Options

- Various ends, lighting, shelves, racks, paint, and bumper colors
- Flip-up bottom rack for easier cleaning/service
- Options available on most models to adjust performance to Type II climatic conditions



Husmann refrigerated merchandisers configured for sale for use in the United States meet or surpass the requirements of the DOE 2017 energy efficiency standards.

NOTE: These merchandisers are designed for use in stores when temperature and humidity do not exceed 75°F (23.9° C) and 55% R.H.

NOTE: We reserve the right to change or revise specifications and product design in connection with any feature of our products. Such changes do not entitle the buyer to corresponding changes, improvements, additions, or replacements for equipment previously sold or shipped.

HUSMANN®

Husmann Corporation

12999 St. Charles Rock Rd.
Bridgeton, MO 63044-2483
Ph: 314.291.2000

www.husmann.com