

HUSSMANN®

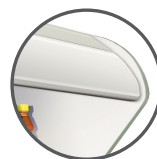
Insight® Freedom Merchandisers



IDF5SU

5-Deck, Ultra-Low Front Merchandisers
for Dairy, Deli, Beverage, and Produce Applications

Two versatile styling options

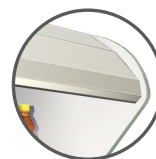


CANOPY



BUMPER

Ellipse



CANOPY



BUMPER

Faceted

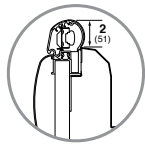
Enabling Excellence in Food Retailing.

Insight®, Freedom, 5-Deck, Ultra-Low Front, Dairy, Deli, Beverage, and Produce Application Merchandiser

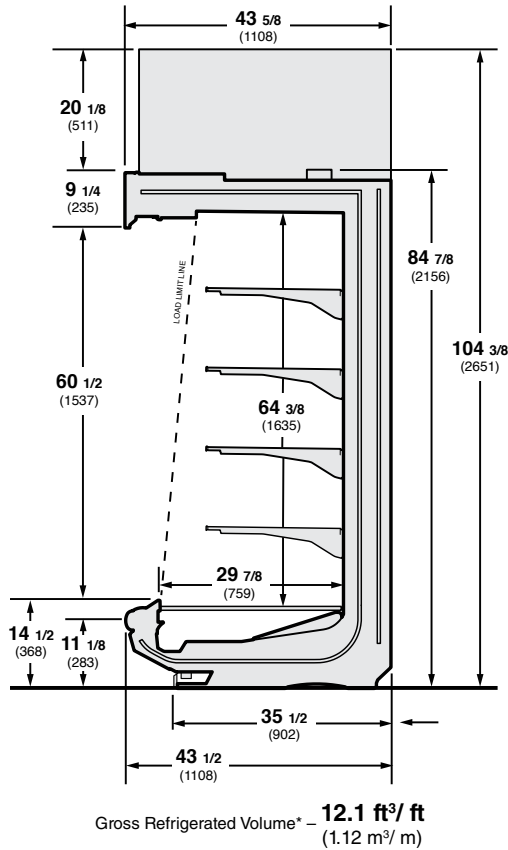
IDF5SU - Available in 8' length.

Cross Section

Shown with Ellipse option canopy and bumper.

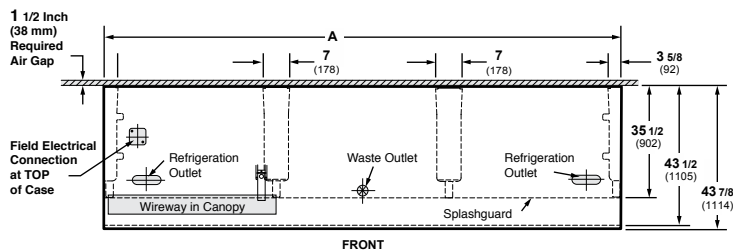


Optional Rail Light



*per ANSI/AHRI 1200-2013 appendix C. Volume Calculation

Plan View



Dimensions	8 FT
A	96 1/4 (2445)

Note: Overall case length without ends or partitions.
Contact your sales representative for information on possible availability of additional case lengths.

Note

Use Hussmann's technical data sheets to get precise dimensions for all store layout purposes.

Features / Benefits

- Freedom Line cases allow field installed top mounted refrigeration or remote refrigeration
- Freedom Line also offers the mobility of a drainless case
- Matching façade conceals top mounted components
- **Superior Food Quality**
 - More stable and uniform product temperatures to maintain freshness
 - Shorter defrost cycles protect food integrity
- **Energy and Sustainability Benefits**
 - 17% case energy savings on average vs. other currently available Hussmann products
 - EcoShine II LED lights standard, up to 71% more efficient than fluorescents
 - Over 30% less refrigerant in coils vs. previous coil designs
- **Better Structural Integrity**
 - Unibody construction improves integrity, facilitates moving, joining, and setting cases
 - New joining system, gasket channel and other new features simplify installation
- **Easier to Clean, Better Sanitation**
 - Electrical parts/connections in splash zone can be sprayed with water, rated IP 67
 - New anti-clog drain strainer
 - Coil in back wall and flip-up fan plenums for easy-to-clean case bottom
 - Seamless plastic "bathtub" bottom helps prevent leaks
- **Easier Service**
 - Flip-up access door on optional bottom rack for easy access to drain, fans, and valves
 - Standard LED lights reduce relamping and other maintenance costs
- **Superior Merchandising**
 - Ellipse and faceted design options to align with store image
 - EcoShine II LED lighting standard, customized for optimal product lighting
 - Improved air curtain reduces "cold aisle" effect by 2-3° F

Options

- Various ends, lighting, shelves, racks, paint, and bumper colors
- Two basic styling options, ellipse and faceted, with mix and match alternatives
- Optional rail light available
- Flip-up bottom rack for easier cleaning/service
- Options available on most models to adjust performance to Type II climatic conditions



Hussmann refrigerated merchandisers configured for sale for use in the United States meet or surpass the requirements of the DOE 2017 energy efficiency standards.

NOTE: These merchandisers are designed for use in stores when temperature and humidity do not exceed 75°F (23.9°C) and 55% R.H.

NOTE: We reserve the right to change or revise specifications and product design in connection with any feature of our products. Such changes do not entitle the buyer to corresponding changes, improvements, additions, or replacements for equipment previously sold or shipped.

Hussmann Corporation

12999 St. Charles Rock Rd.
Bridgeton, MO 63044-2483
Ph: 314.291.2000

www.hussmann.com