

HUSSMANN®

Insight® Merchandisers



IM1SL-L

Insight Single-Deck, Low Temperature Merchandiser
for Frozen Meat and Other Frozen Applications

Two versatile styling options



BUMPER

Ellipse



BUMPER

Faceted

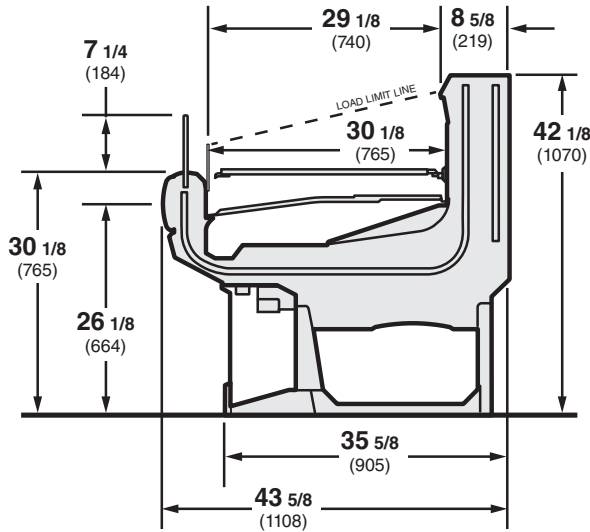
Enabling Excellence in Food Retailing.

Husmann Insight® Single-Deck, Low Temperature Merchandiser for Frozen Meat and Other Frozen Applications

IM1SL-L - Insight, Meat (frozen), Single-Deck, Standard Front-to-Back Depth, Low Front, Low Temp

Available in 4', 6', 8' and 12' lengths.

Glass front standard on this model.



Gross Refrigerated Volume* - **1.7 ft³/ft**
(0.16 m³/m)

*per ANSI/AHRI 1200-2013 appendix C. Volume Calculation

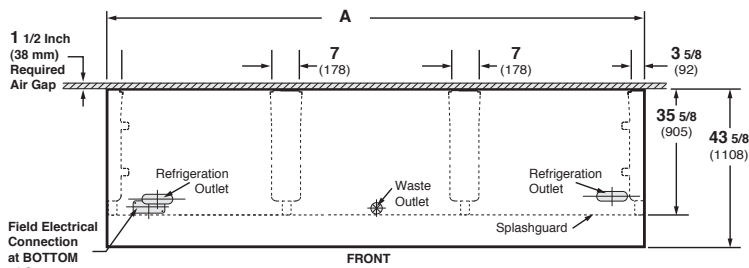
Features / Benefits

- The IM1SL-L provides a single-deck display for frozen meats or other low temp products
- **Superior Food Quality**
 - More stable and uniform product temperatures to maintain frozen state
- **Energy and Sustainability Benefits**
 - Excellent energy efficiency vs. other similar models
 - Over 30% less refrigerant in coils vs. previous coil designs
- **Better Structural Integrity**
 - Unibody construction improves integrity, facilitates moving, joining, and setting cases
 - Additional new features simplify installation
- **Easier to Clean and Service**
 - All electrical parts in the merchandising area can be sprayed with water, rated IP 67
 - New anti-clog drain strainer
 - Coil in back wall and flip-up fan plenums make cleaning case bottom easy
 - Seamless plastic "bathtub" bottom helps prevent leaks
 - Flip-up access door on optional bottom rack for easy access to drain, fans and valves
- **Superior Merchandising**
 - Ellipse and faceted design options to align with store image

Options

- Various ends, racks, paint, and bumper colors
- Two basic styling options, ellipse and faceted, with mix and match alternatives
- Flip-up bottom rack

Plan View



Dimensions	4 FT	6 FT	8 FT	12 FT
A	48 1/8 (1222)	72 1/4 (1835)	96 1/4 (2445)	144 3/8 (3668)

Note: Overall case length without ends or partitions. Contact your sales representative for information on possible availability of additional case lengths.

Note

Use Husmann's technical data sheets to get precise dimensions for all store layout purposes.

DOE 2017
Energy Efficiency
Compliant

Husmann refrigerated merchandisers configured for sale for use in the United States meet or surpass the requirements of the DOE 2017 energy efficiency standards.

NOTE: These merchandisers are designed for use in stores when temperature and humidity do not exceed 75°F (23.9°C) and 55% R.H.

NOTE: We reserve the right to change or revise specifications and product design in connection with any feature of our products. Such changes do not entitle the buyer to corresponding changes, improvements, additions, or replacements for equipment previously sold or shipped.

HUSMANN®

Husmann Corporation

12999 St. Charles Rock Rd.
Bridgeton, MO 63044-2483
Ph: 314.291.2000

www.husmann.com