

HUSSMANN®

Specialty



Isla Family

IM-S

Isla Refrigerated Multi-Deck, Self-Service,
Self-Contained Merchandiser for C-Store, Foodservice,
and Supermarket Applications

www.hussmann.com

Hussmann Isla Refrigerated Multi-Deck, Self-Service, Self-Contained Merchandiser for C-Store, Foodservice, and Supermarket Applications

IM-S

Heights: 64" (O4); 72" (O5)

Types: Back-to-Back (O4-T Only); In-Line (I)

Lengths: **IM-04-T:** 3', 4', and 5'

IM-04-I: 3', 4', 5', 6', and 8'

IM-05-I: 3', 4', 5', 6', and 8'

- Designed for Multiple Applications... C-Store, Foodservice, and Supermarket.

Type 1 (75°F, 55% R.H.)
Type 2 (80°F, 55% R.H.)

- Reduced maintenance cost and improved reliability.

Removable intake air filter does not require a service call.

- DOE Compliant.

Meets DOE 2017 regulations for self-contained open displays.

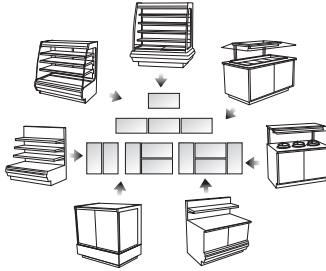
- LED Lighting.

LED shelf lighting is available.

- Adjustable Temperature Control.

New convertible temperature case for beverage, deli, and meat temperatures

Design Your Own Merchandiser



Stand Alone, In-Line, 2, 3, 4-Sided Island
Deli, Prepared Food, Bakery, Hot Food, Produce, Meat, Beverage, Seafood...

- Implemented Noise Reducing Solutions.

All models run at below 70db levels to improve the customer experience.

- Back-to-Back (Twin).

IM-04-Tx-S (Back-to-Back in O4 Only) See www.hussmann.com for more cross section options.



IM-05-1x-S End or Combo Center Case

Features:

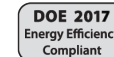
- R448A Regulatory-Compliant low GWP refrigerant condensing unit
- Electronic thermostat controls
- Module coil system - 5 year warranty
- Evaporator pan
- Adjustable temp control
- Black interior
- Painted exterior
- LED canopy lighting †
- Energy efficient fans
- Electronic ballast
- Solar digital thermometer
- Please reference color chart for choice of standard Hussmann paint and finish options

Options:

- Adjustable shelves with tag molding
- Plex product stop
- Peg bar shelving
- White interior
- LED shelf lighting †
- Night shade
- Stainless steel interior
- End panel, flush: solid, view, Autobrite interior
- End panel with wrap-around bumper: solid, view, Autobrite interior
- Finished ext. back cover painted, stainless steel (
- Special interior and exterior finishes* (consult your Hussmann sales representative)

Matching Case Lines: Isla Family.

- Refrigerated Self-Service Multi-Deck: **IM-R**
- Hot Self-Service Multi-Deck: **IM-H**
- Refrigerated Self-Service Food Counter: **IM-FR**
- Hot Self-Service Food Counter: **IM-FH**
- Soup Self-Service Food Counter: **IM-FS**
- Refrigerated/Dry Self-Service Bakery: **IM-BV**
- Frozen Self-Service: **SFG/SFNG**



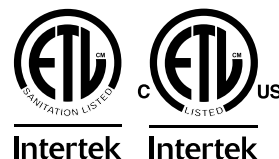
Hussmann refrigerated merchandisers configured for sale for use in the United States meet or surpass the requirements of the DOE 2017 energy efficiency standards.

* Some optional features may need to be certified by UL, NSF, and/or other 3rd party certification agencies. Contact Hussmann for verification or questions for availability.

† Only lighting configurations that are compliant with the U.S. Dept. of Energy (DOE) 2017 regulation are available for sale for use in the U.S.A.

NOTE: These merchandisers are designed for use in stores when temperature and humidity do not exceed 75°F and 55% R.H. We reserve the right to change or revise specifications and product design in connection with any feature of our products. Such changes do not entitle the buyer to corresponding changes, improvements, additions, or replacements for equipment previously sold or shipped.

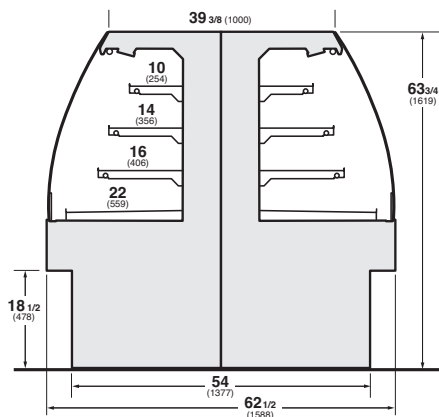
For additional resources, visit www.hussmann.com.



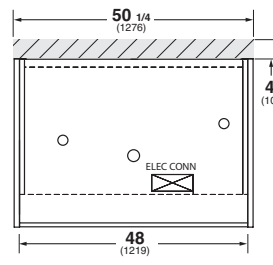
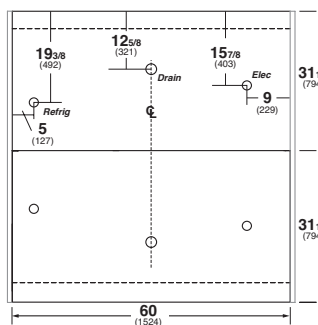
Note.

Use Hussmann's technical data sheets to get precise dimensions for all store layout purposes.

IM-04-Tx-S Back-to-Back Multi-Deck Self-Service Self-Contained



IM-05/04-S Refrigerated Multi-Deck Self-Service Self-Contained



*MIN required air space for condenser air discharge.



Hussmann Specialty

13770 Ramona Avenue
Chino, California 91710-5423
Ph: 800.395.9229

www.hussmann.com