

HUSSMANN®

Insight® Merchandisers



IP1SL

Insight Single-Deck Merchandiser
with Low Front for Produce Applications

Two versatile styling options



BUMPER

Ellipse



BUMPER

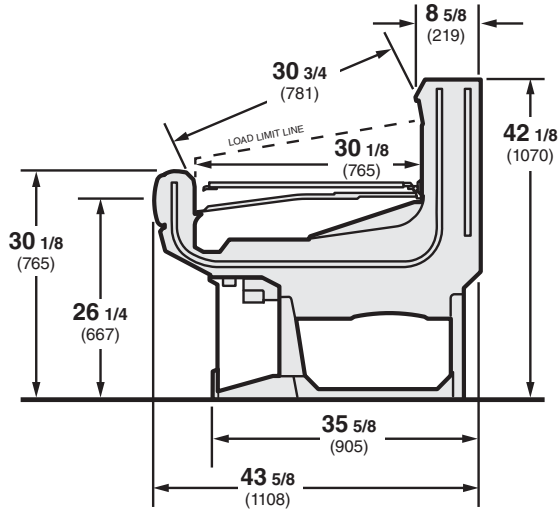
Faceted

Enabling Excellence in Food Retailing.

Husmann Insight® Single-Deck Merchandiser with Low Front for Produce Applications

IP1SL - Insight Produce, Single-Deck, Standard Depth, Low Front

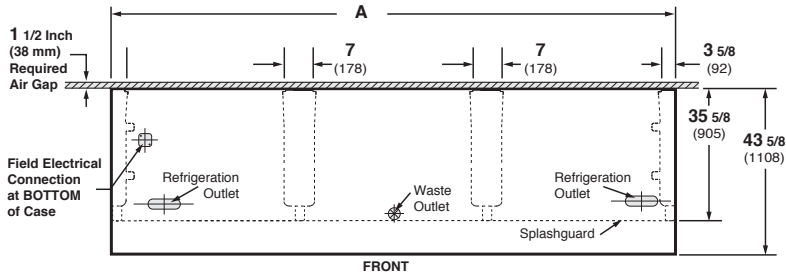
Available in 4', 6', 8' and 12' lengths.



Gross Refrigerated Volume* - **1.67 ft³/ft**
(0.16 m³/m)

*per ANSI/AHRI 1200-2013 appendix C, Volume Calculation

Plan View



| Dimensions | 4 FT | 6 FT | 8 FT | 12 FT |
|------------|---------------|---------------|---------------|----------------|
| A | 48 1/8 (1222) | 72 1/4 (1835) | 96 1/4 (2445) | 144 3/8 (3668) |

Note: Overall case length without ends or partitions. Contact your sales representative for information on possible availability of additional case lengths.

Note

Use Husmann's technical data sheets to get precise dimensions for all store layout purposes.

Features / Benefits

- The IP1SL creates an open, single-deck platform for fresh produce
- **Superior Food Quality**
 - More stable and uniform product temperatures to protect and maintain freshness
 - Shorter defrost cycles protect food integrity
- **Better Structural Integrity**
 - Unibody construction improves integrity, facilitates moving, joining, and setting cases
 - Additional new features simplify installation
- **Easier to Clean, Better Sanitation**
 - Electrical parts/connections in splash zone can be sprayed with water, rated IP 67
 - New anti-clog drain strainer
 - Coil in back wall and flip-up fan plenums make cleaning case bottom easy
 - Seamless plastic "bathtub" bottom helps prevent leaks
- **Easier Service**
 - Wiring raceway in canopy for easy access
 - Flip-up access door on optional bottom rack for easy access to drain, fans and valves
- **Superior Merchandising**
 - Ellipse and faceted design options to align with store image
 - Convertible merchandising optionally available
 - Improved air curtain reduces "cold aisle" effect by 2-3° F

Options

- Various ends, racks, paint, and bumper colors
- Two basic styling options, ellipse and faceted
- Unique, high efficiency night curtains
- Flip-up bottom rack
- Options available on most models to adjust performance to Type II climatic conditions



Husmann refrigerated merchandisers configured for sale for use in the United States meet or surpass the requirements of the DOE 2017 energy efficiency standards.

NOTE: These merchandisers are designed for use in stores when temperature and humidity do not exceed 75°F (23.9°C) and 55% R.H.

NOTE: We reserve the right to change or revise specifications and product design in connection with any feature of our products. Such changes do not entitle the buyer to corresponding changes, improvements, additions, or replacements for equipment previously sold or shipped.

HUSMANN®

Husmann Corporation

12999 St. Charles Rock Rd.
Bridgeton, MO 63044-2483
Ph: 314.291.2000

www.husmann.com