

ISFGG

Self-Contained, Single-Deck Island,
Low Temperature Merchandiser

- Straight Glass on All Four Sides

Advanced Design

- White powder coated interior painting
- Black upper and lower impact bumpers
- Telescoping bottom wire selves

Smart Construction

- One-inch dial thermometer
- Electronic controls with digital display
- Condensate pan
- Expansion valve with filter kit
- CFC-free insulation

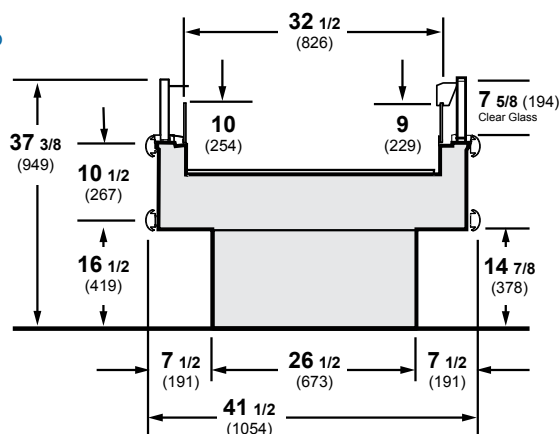
Innovative Refrigeration

- R-404a refrigerant
- Adjustable temperature control
- Type II (80°F and 55% R.H.) certified

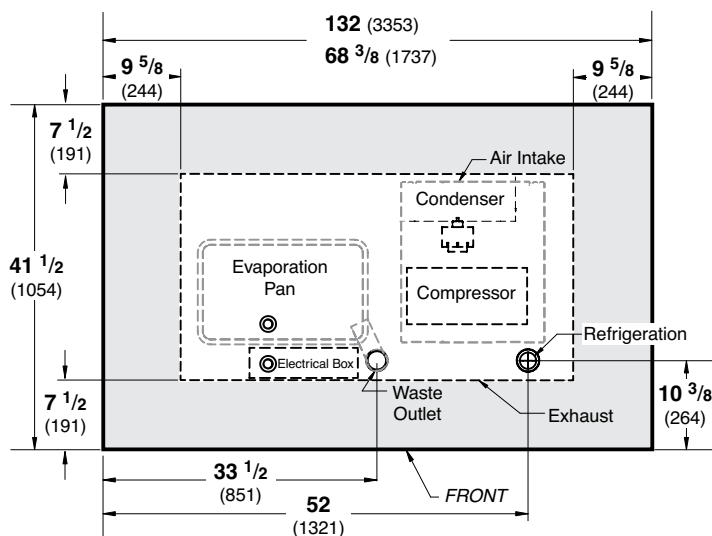


Self-Contained, Single-Deck Island Merchandiser for Frozen Food Applications

ISFGG - Single-Deck Island, Low Temp Merchandiser



Plan View



Note: Each 5-foot case section has a full 60-inch of interior length for product display.

Specifications

Model	Exterior Dimensions				Nom. HP		Refrig.	Hz/Ph	Volts	Electrical				Approx. Ship Wt. (lbs)			
	5ft. L	10ft. L	D	H	5ft.	10ft.				Run Amps 5ft.	Run Amps 10ft.	Fuse Amps 5ft.	Fuse Amps 10ft.	NEMA Plugs 5ft.	NEMA Plugs 10ft.	5ft.	10ft.
ISFGG-5D/G-10D/G	68-3/8"	132"	41-1/2"	37-3/8"	1	1HP x 2	R-404a	60/1	208-230	15.7	15.7 x 2	20	20 x 2	6-20P	6-20P x 2	670	1340

Note: All 10' models have two separate refrigeration systems and the self-contained models have 2 separated power cords.

ISFGG-5 D/G -

Refrigeration load - 4280 BTU/h at -30°F evaporation temperature and 110°F condensing temperature AC load - 8773 BTU/h.

For 10 ft. cases, multiply the numbers by 2, including power cord.



Hussmann refrigerated merchandisers configured for sale for use in the United States meet or surpass the requirements of the DOE 2017 energy efficiency standards.



Type II

Standard Features.

- Color Exterior White
- Color Interior White
- Color Bumper Black
- Power Cord Yes (ISFGG-5/10)
- NSF Type II
- Air Discharge Front
- Insulation CFC-Free

Optional Accessories.

- Dual-temperature kit changes merchandiser to medium temperature and is available on frozen food model.
- Variety of color options for bumper and décor panels.
- Stainless steel exterior.
- High humidity condensate pan kit.
- Price tag molding.
- Duplex receptacle kit.
- Recessed caster kit (factory installed).
- Two-inch dial thermometer.
- Degree Celsius control for thermometer.

ISFGG



NEMA 6-20P

ISFGG model has a factory-installed power cords attached at the electrical box.

- Always use a dedicated circuit with the amperage stated on the unit.
- Plug into an outlet designed for the plug.
- Do not overload the circuit.
- Do not use long or thin extension cords; never use adapters.
- If in doubt, call an electrician.

For USA/Canada, a Hi-Humidity Condensate Pan Kit is provided with ISFGG-5D/G or a 10D/G, a separate dedicated circuit is required - 230V, 15 amp circuit and a NEMA 6-15R receptacle. ISFGG-10G requires 2 circuits.

NOTE: These merchandisers are designed for use in stores when temperature and humidity do not exceed 80°F and 55% R.H. Case is designed for holding pre-frozen product only.

NOTE: We reserve the right to change or revise specifications and product design in connection with any feature of our products. Such changes do not entitle the buyer to corresponding changes, improvements, additions, or replacements for equipment previously sold or shipped.

For additional resources and warranties, contact your representative or visit www.hussmann.com.

HUSSMANN®

Hussmann Corporation
12999 St. Charles Rock Rd.
Bridgeton, MO 63044-2483
Ph: 314.291.2000

www.hussmann.com