

## ISMGG

Self-Contained, Single-Deck Island,  
Medium Temperature Merchandiser

- Straight Glass on All Four Sides

---

### Advanced Design

- White powder coated interior painting
- Black upper and lower impact bumpers
- Telescoping bottom wire selves

### Smart Construction

- One-inch dial thermometer
- Electronic controls with digital display
- Condensate pan
- Expansion valve with filter kit
- CFC-free insulation

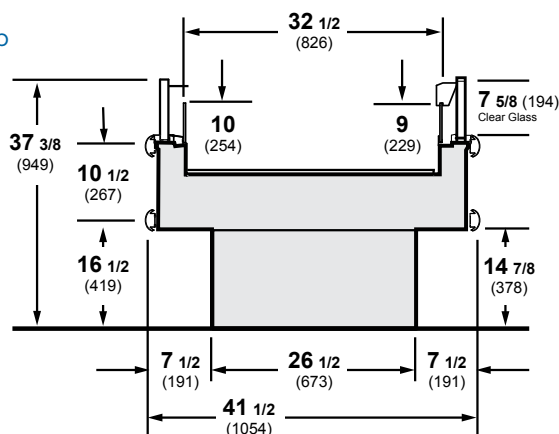
### Innovative Refrigeration

- R-404a refrigerant
- Adjustable temperature control
- Type II (80°F and 55% R.H.) certified

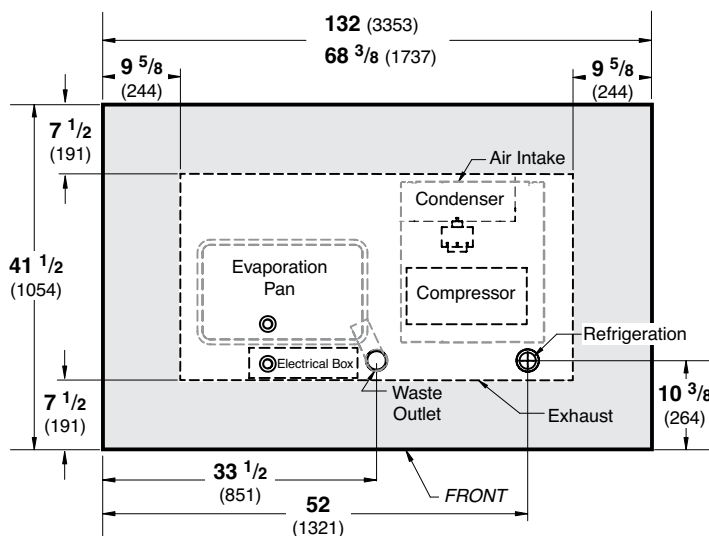


# Self-Contained, Single-Deck Island Merchandiser for Dairy, Deli, and Sandwich Applications

## ISMGG - Single-Deck Island, Med Temp Merchandiser



Plan View



Note: Each 5-foot case section has a full 60-inch of interior length for product display.

## Specifications

| Model        | Exterior Dimensions |         |         |         | Nom. HP |           | Refrig. | Hz/Ph | Volts   | Electrical |           |            |        | Approx. Ship Wt. (lbs) |           |       |      |
|--------------|---------------------|---------|---------|---------|---------|-----------|---------|-------|---------|------------|-----------|------------|--------|------------------------|-----------|-------|------|
|              | 5ft. L              | 10ft. L | D       | H       | 5ft.    | 10ft.     |         |       |         | Run Amps   | Fuse Amps | NEMA Plugs | 5ft.   | 10ft.                  | 5ft.      | 10ft. |      |
| ISMGG-5B-10B | 68-3/8"             | 132"    | 41-1/2" | 37-3/8" | 1/2     | 1/2HP x 2 | R-404a  | 60/1  | 208-230 | 15.9       | 15.9 x 2  | 20         | 20 x 2 | 5-20P                  | 5-20P x 2 | 725   | 1450 |

Note: All 10' models have two separate refrigeration systems and the self-contained models have 2 separated power cords.

### ISMGG-5B -

Refrigeration load - 2660 BTU/h at 10°F evaporation temperature and 110°F condensing temperature.

For 10 ft. cases, multiply the numbers by 2, including power cord.



Hussmann refrigerated merchandisers configured for sale for use in the United States meet or surpass the requirements of the DOE 2017 energy efficiency standards.



Type II

## Standard Features.

- Color Exterior: White
- Color Interior: White
- Color Bumper: Black
- Power Cord: Yes
- NSF: Type II
- Air Discharge: Front
- Insulation: CFC-Free

## Optional Accessories.

- Variety of color options.
- Stainless steel exterior.
- High humidity condensate pan kit (Not available on remote model).
- Price tag molding.
- Duplex receptacle kit.
- Recessed caster kit (factory installed).
- Two-inch dial thermometer.
- Degree Celsius control for thermometer.

## ISMGG-5B/10B



NEMA 5-20P

ISMGG models have factory-installed power cords attached at the electrical box.

- Always use a dedicated circuit with the amperage stated on the unit.
- Plug into an outlet designed for the plug.
- Do not overload the circuit.
- Do not use long or thin extension cords; never use adapters.
- If in doubt, call an electrician.

For USA/Canada, a HI-Humidity Condensate Pan Kit is provided with ISMGG-5B or a 10B, a separate dedicated circuit is required - 120V, 15 amp circuit and a NEMA 5-15R receptacle. ISMGG-10B requires 2 circuits.

NOTE: These merchandisers are designed for use in stores when temperature and humidity do not exceed 80°F and 55% R.H. Case is designed for holding pre-frozen product only.

NOTE: We reserve the right to change or revise specifications and product design in connection with any feature of our products. Such changes do not entitle the buyer to corresponding changes, improvements, additions, or replacements for equipment previously sold or shipped.

For additional resources and warranties, contact your representative or visit [www.hussmann.com](http://www.hussmann.com).

# HUSSMANN®

**Hussmann Corporation**  
12999 St. Charles Rock Rd.  
Bridgeton, MO 63044-2483  
Ph: 314.291.2000

[www.hussmann.com](http://www.hussmann.com)