

**HUSSMANN®**

---



---

## M4NX-EP

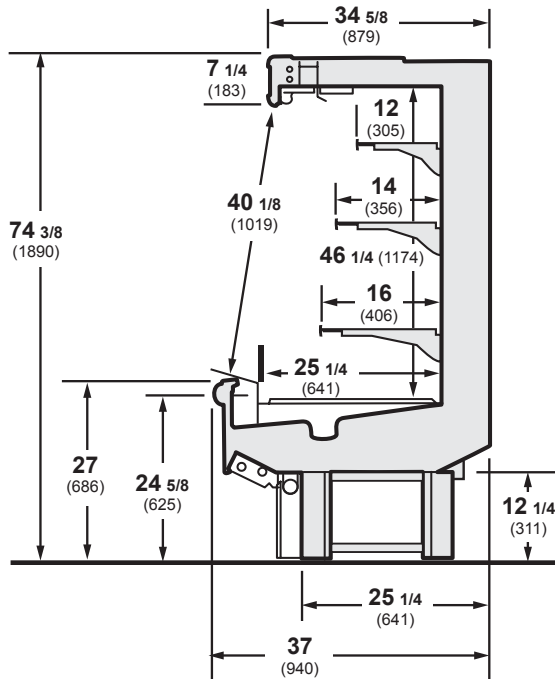
Excel Narrow Footprint 4-Deck Meat Merchandiser  
for a Variety of Meat Applications

---

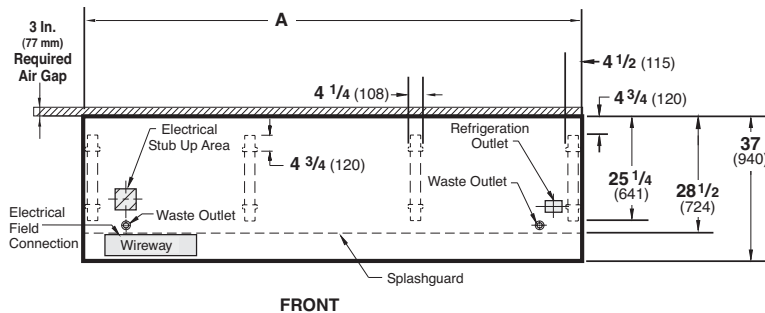
[www.hussmann.com](http://www.hussmann.com)

# Husmann Excel Narrow Footprint 4-Deck Meat Merchandiser for a Variety of Meat Applications

**M4NX-EP - Meat, 4-Deck, Narrow Footprint, Excel, Low Energy**  
Available in 8' length. Contact your sales rep for information on possible availability of additional case lengths.



## Plan View



Dimensions	8 FT
A	96 3/8 (2448)

**Notes:**  
Case-to-case electrical connections are made in front of splashguard. Overall case length without ends or partitions.

## Note

Use Husmann's technical data sheets to get precise dimensions for all store layout purposes.

## Superior Merchandising

The M4NX-EP has a narrow footprint to save floor space, provides quick, easy shopping access and merchandises a wide variety of meat products.

## Lower Energy Costs

The M4NX-EP includes energy efficient "EP" coils. Night curtains can be added to further reduce energy use by about 12%.

## Superior Shelf Life

Modular coils and off-time defrost work to reduce thermal shock and stabilize product temperatures, resulting in better freshness and longer shelf life. Modular defrost (optional) can further stabilize temperatures.

## Lower Labor Costs

Labor saving features include greater clearance under the case, easy-to-clean bathtub bottom with no coil in the bottom of the case, easier raceway access, 2-ft honeycomb sections and more.

## Superior Reliability

Our five-year modular coil warranty is the best available. Pre-set, adjustable expansion valves are designed to hold optimal temperatures.



Husmann refrigerated merchandisers configured for sale for use in the United States meet or surpass the requirements of the DOE 2017 energy efficiency standards.

NOTE: These merchandisers are designed for use in stores when temperature and humidity do not exceed 75°F and 55% R.H.

NOTE: We reserve the right to change or revise specifications and product design in connection with any feature of our products. Such changes do not entitle the buyer to corresponding changes, improvements, additions, or replacements for equipment previously sold or shipped.

For additional resources, contact your representative or visit [www.husmann.com](http://www.husmann.com).

**HUSSMANN®**

**Husmann Corporation**  
12999 St. Charles Rock Rd.  
Bridgeton, MO 63044-2483  
Ph: 314.291.2000

[www.husmann.com](http://www.husmann.com)