



M5X-EP

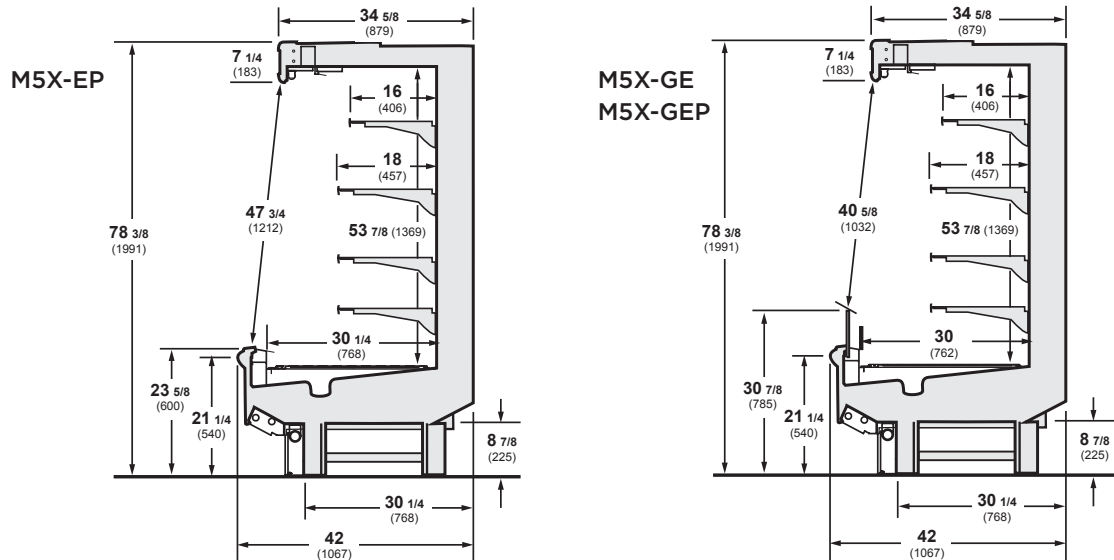
M5X-EP, M5X-GE, M5X-GEP

Excel Large Capacity Five-Deck Meat
Display Merchandiser

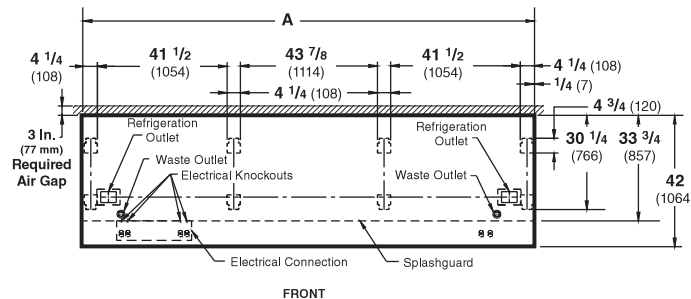
Husmann Excel Five-Deck Merchandiser for Fresh Meat Applications

- M5X-EP** - Five-Deck, Extra-High Efficiency
- M5X-GE** - Five-Deck with Glass Front
- M5X-GEP** - Five-Deck, Glass Front, Extra-High Efficiency

Available in 8' and 12' lengths. Contact your sales rep for information on possible availability of additional case lengths.



Plan View



Dimensions	8 FT	12 FT
A	96 3/8 (2448)	144 1/2 (3670)

Notes:
Overall case length without ends or partitions. Contact your sales representative for information on possible availability of additional case lengths.

Note

Use Husmann's technical data sheets to get precise dimensions for all store layout purposes.

Superior Merchandising.

The M5X is our highest capacity multi-deck meat merchandiser. Excellent for high volume applications. Glass front and rail light options improve product visibility. Other superior merchandising features include full vision glass ends, illuminated canopy signs, improved ledge lighting and greater shelf placement flexibility.

Superior Shelf Life.

Modular coils and off-time defrost reduce thermal shock and stabilize meat temperatures. Modular defrost is optional and will further stabilize product temperatures.

Lower Labor Costs.

Labor saving features include greater clearance under the case, easy-to-clean bathtub bottom, easier raceway access, 2-ft honeycomb sections and more.

Superior Reliability.

Our five year modular coil warranty is the best available. Pre-set adjustable expansion valves are designed to hold optimal temperatures.

NOTE: These merchandisers are designed for use in stores when temperature and humidity do not exceed 75°F and 55% R.H.

NOTE: We reserve the right to change or revise specifications and product design in connection with any feature of our products. Such changes do not entitle the buyer to corresponding changes, improvements, additions, or replacements for equipment previously sold or shipped.

For additional resources, contact your representative or visit www.husmann.com.



Husmann refrigerated merchandisers configured for sale for use in the United States meet or surpass the requirements of the DOE 2017 energy efficiency standards.

HUSSMANN®

Husmann Corporation
12999 St. Charles Rock Rd.
Bridgeton, MO 63044-2483
Ph: 314.291.2000

www.husmann.com