

HUSSMANN®



microSC™

GSVM-A

Self-Contained Vertical Open Merchandiser
with Environmentally-Friendly R-290 Refrigerant

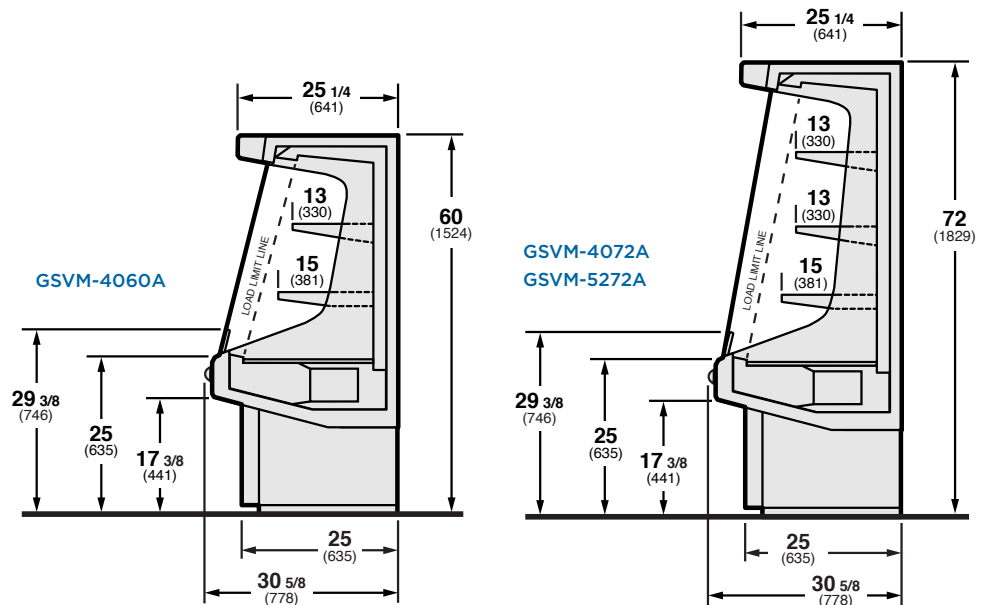
Ideal for Beverage, Dairy, Deli,
and Produce Applications

www.hussmann.com

Hussmann Self-Contained Vertical Open Merchandiser with Environmentally-Friendly R-290 Refrigerant

Benefits

- Environmentally-friendly R-290 hydrocarbon refrigerant that has zero ozone depletion (ODP) potential and 3 Global Warming Potential (GWP)
- GSVM4060A and GSVM4072A are NSF Type II Certified (80°F and 55% R.H.)
- Easy to service with slide out air-cooled condensing unit
- Increased product visibility with narrow canopy and Plexiglass view ends



Standard Features

- White exterior, base and interior color
- Black bumper
- Shelves with PTM: 13", 15" depths
- Canopy and shelf lighting
- Front air discharge (GSVM4060A, 4072A)
- Rear air discharge (GSVM5272A)
- CFC-free insulation
- Leg levelers

Optional Features

- Optional Hi-Humidity Condensate Pan on the GSVM4072A and GSVM5272A models
- Additional shelving
- Stainless steel exterior or choice of exterior colors
- LED light kits
- Leg and caster kits, cross bar and hook displays

Model	Exterior Dimensions			Nom. HP	Refrig.	Hz/Ph	Electrical			Refrig. Load (BTU/h)	A/C Load (BTU/h)	Approx. Ship Wt. (lbs)
	L	D	H				Volts	Run Amps	NEMA Plug			
GSVM4060A	40"	30-5/8"	60"	1/2	R-290	60/1	115	9	5-15P	4281	6361	365
GSVM4072A	40"	30-5/8"	72"	1/2	R-290	60/1	115	9	5-15P	4281	6361	407
GSVM5272A	52"	30-5/8"	72"	1/2	R-290	60/1	115	9	5-15P	4281	6361	468



Hussmann refrigerated merchandisers configured for sale for use in the United States meet or surpass the requirements of the DOE 2017 energy efficiency standards.

Note

Use Hussmann's technical data sheets to get precise dimensions for all store layout purposes.

NOTE: We reserve the right to change or revise specifications and product design in connection with any feature of our products. Such changes do not entitle the buyer to corresponding changes, improvements, additions, or replacements for equipment previously sold or shipped.

HUSSMANN®

Hussmann Corporation
12999 St. Charles Rock Rd.
Bridgeton, MO 63044-2483
Ph: 314.291.2000

www.hussmann.com