

HUSSMANN®



microSC™

MD9871GIA

Self-Contained, Semi-Vertical Open Multi-Deck Center Case
with Environmentally-Friendly R-290 Refrigerant

Ideal for Meat and Poultry Applications

www.hussmann.com

Husmann Self-Contained, Semi-Vertical Open Multi-Deck Center Case with Environmentally-Friendly R-290 Refrigerant



Benefits

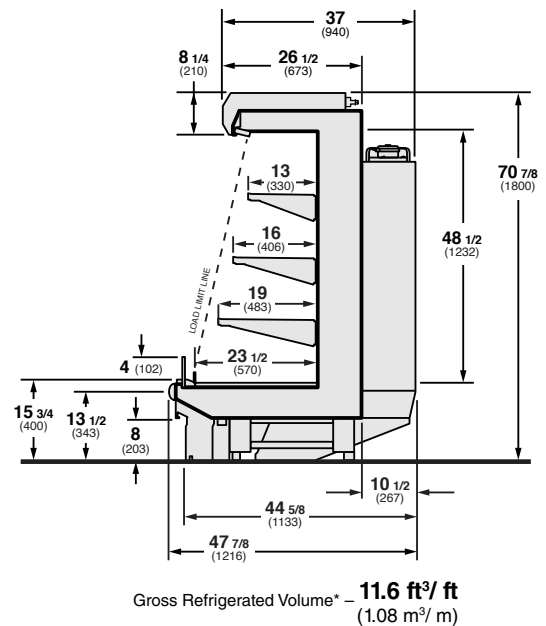
- Environmentally-friendly R-290 hydrocarbon refrigerant that has zero ozone depletion (ODP) potential and 3 Global Warming Potential (GWP)
- Merchandising flexibility with options for lineups, end caps, and back-to-back island configurations
- Sound level is less than 70dB
- Air-cooled condensing unit
- Available merchandisers: MD7871GEA End Case

Standard Features

- Black exterior, base and interior color
- Glass front
- Shelves with PTM: 13", 16", and 19" depths
- LED canopy lighting
- Front air discharge
- Rear air discharge
- CFC-free insulation
- Leg levelers

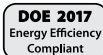
Optional Features

- Stainless steel exterior or choice of exterior colors
- Additional shelving
- Optional LED shelf lights
- Optional Hi-Humidity condensate pan
- Leg and caster kits, cross bar and hook displays
- Locking security cover



*per ANSI/AHRI 1200-2013 appendix C. Volume Calculation

Model	Exterior Dimensions			Nom. HP	Refrig.	Hz/Ph	Electrical			Refrig. Load (BTU/h)	A/C Load (BTU/h)	Approx. Ship Wt. (lbs)
	L	D	H				Volts	Run Amps	NEMA Plug			
MD9871GIA	98-3/8"	47-7/8"	70-7/8"	1/2	R-290	60/1	120	12.8	L14-20P	6,568	18,789	1110



Husmann refrigerated merchandisers configured for sale for use in the United States meet or surpass the requirements of the DOE 2017 energy efficiency standards.

Note

Use Husmann's technical data sheets to get precise dimensions for all store layout purposes.

NOTE: We reserve the right to change or revise specifications and product design in connection with any feature of our products. Such changes do not entitle the buyer to corresponding changes, improvements, additions, or replacements for equipment previously sold or shipped.

HUSMANN®

Husmann Corporation
12999 St. Charles Rock Rd.
Bridgeton, MO 63044-2483
Ph: 314.291.2000

www.husmann.com